

DECORATIVE ALUMINUM FLUTED POLES

Lumecon's round aluminum pole offerings give your streetscape a classic contemporary look. Our decorative poles have a gloss black powdercoat finish and can be ordered in custom lengths and colors when necessary. Anchor bolts, hand hole covers, top tenon & base cover are included standard on all U-Series pole orders. If direct burial or additional options are required, contact your Lumecon Sales Representative for more information.

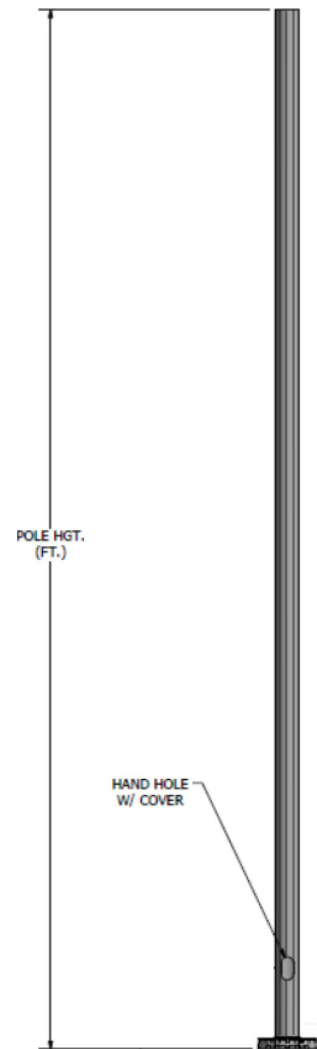
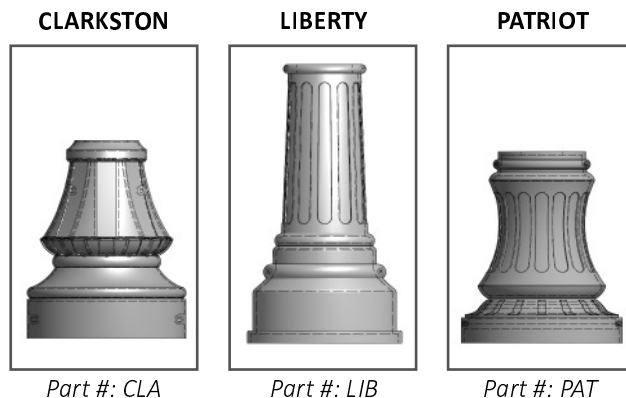
ROUND FLUTED STRAIGHT ALUMINUM POLES

The fluted aluminum pole shaft is extruded from 6063 alloy aluminum tubing, which is heat treated to produce a T6 temper and comes with a standard 0.125" wall thickness.

| Catalog Number | Mounting Height | Shaft O.D. | Wall Thick. | Base Bolt Circle |
|----------------|-----------------|------------|-------------|------------------|
| U-RFSA-3-10-1 | 10' | 3" | .125" | 6.00" |
| U-RFSA-4-10-1 | 10' | 4" | .125" | 7.00" |
| U-RFSA-3-12-1 | 12' | 3" | .125" | 6.00" |
| U-RFSA-4-12-1 | 12' | 4" | .125" | 7.00" |
| U-RFSA-3-14-1 | 14' | 3" | .125" | 6.00" |
| U-RFSA-4-14-1 | 14' | 4" | .125" | 7.00" |

DECORATIVE BASE COVERS

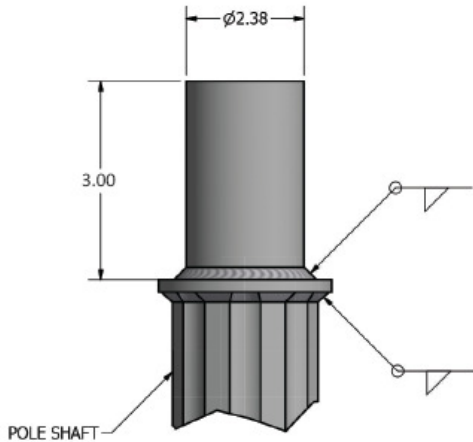
High grade cast aluminum base options complement any decorative streetscape project and can be used on both 3" and 4" OD poles.



FLUTED POLE DETAIL

TOP TENON MOUNTING OPTIONS

Lumecon offers a standard 2 3/8" O.D. top tenon mounting option for every decorative aluminum pole that is ordered. The top tenon option is bolted to the pole shaft for a secure fit.



A. Tenon O.D. Mounting Option

X- None

T2X3- 2 3/8" O.D. Tenon

* Contact your Lumecon Sales Representative if you project requires additional tenon options.

POLE ORDERING LOGIC

EXAMPLE: Round Fluted Straight Aluminum Pole Order Number

U-RFSA-4-14-1-CLA-T2X3

| | |
|--------------------|-----------|
| DESIGN DESIGNATION | U-RFSA |
| POLE SIZE | 4" O.D. |
| MOUNTING HEIGHT | 14' |
| WALL THICKNESS | .125" |
| BASE DESIGNATION | CLARKSTON |
| TENON DESIGNATION | T2X3 |

Don't see what you are looking for? Contact your Lumecon sales representative for additional pole options and accessories.