

COMMERCIAL & INDUSTRIAL STEEL POLES

Lumecon offers a line of commercial and industrial steel poles in both square and round options. Our standard steel pole shaft is a one-piece carbon steel construction with uniform wall thickness. Standard pole accessories include anchor bolts, base plate cover, top tenon, or drill mount mounting option, and hand hole cover. If direct burial or additional options are required, please contact your local Lumecon Sales Representative for more information.

ROUND SMOOTH STRAIGHT STEEL POLES

The round smooth straight steel poles are fabricated from a weldable carbon steel structural tubing with uniform wall thickness and conforms to ASTM A-500 Grade B standards.

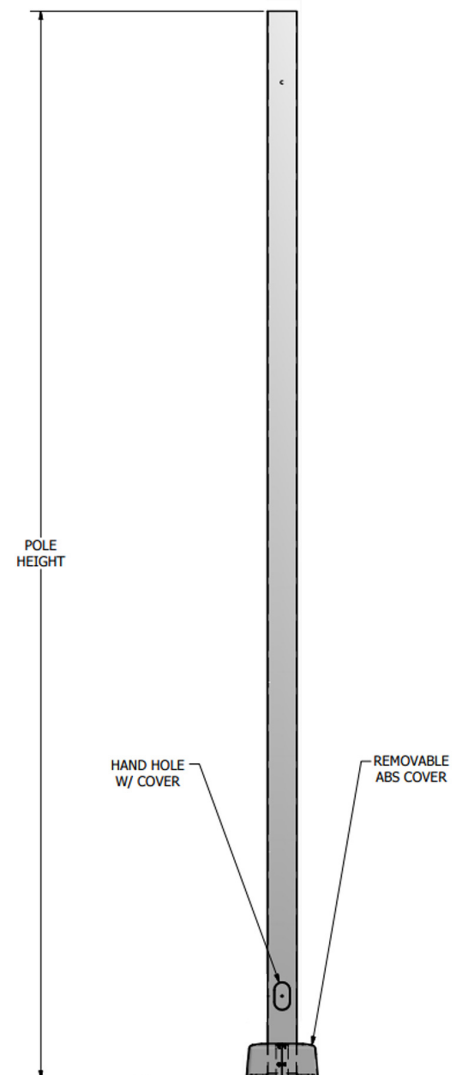
Catalog Number	Mounting Height	Shaft O.D.	Wall Thick.	Base Bolt Circle
U-RSS-18-4-11	18'	4"	11	8.5"
U-RSS-20-4-11	20'	4"	11	8.5"
U-RSS-25-5-11	25'	5"	11	8.5"
U-RSS-25-5-7	25'	5"	07	10.0"
U-RSS-30-5-11	30'	5"	11	8.5"
U-RSS-30-5-7	30'	5"	07	10.0"

SQUARE SMOOTH STRAIGHT STEEL POLES

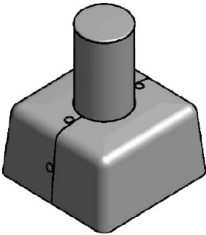
The square smooth straight steel poles are fabricated from a weldable carbon steel structural tubing with uniform wall thickness and conforms to ASTM A-500 Grade B standards.

Catalog Number	Mounting Height	Shaft Sq.	Wall Thick.	Base Bolt Circle
U-SS-18-4-11	18'	4"	11	8.5"
U-SS-20-4-11	20'	4"	11	8.5"
U-SS-25-4-11	25'	4"	11	8.5"
U-SS-25-5-11	25'	5"	11	11.0"
U-SS-30-5-11	30'	5"	11	11.0"
U-SS-30-5-7	30'	5"	07	11.0"

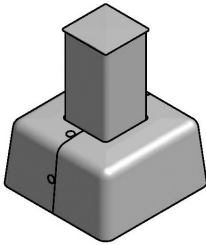
POLE DETAIL



STANDARD BASE COVER



Round Pole



Square Pole

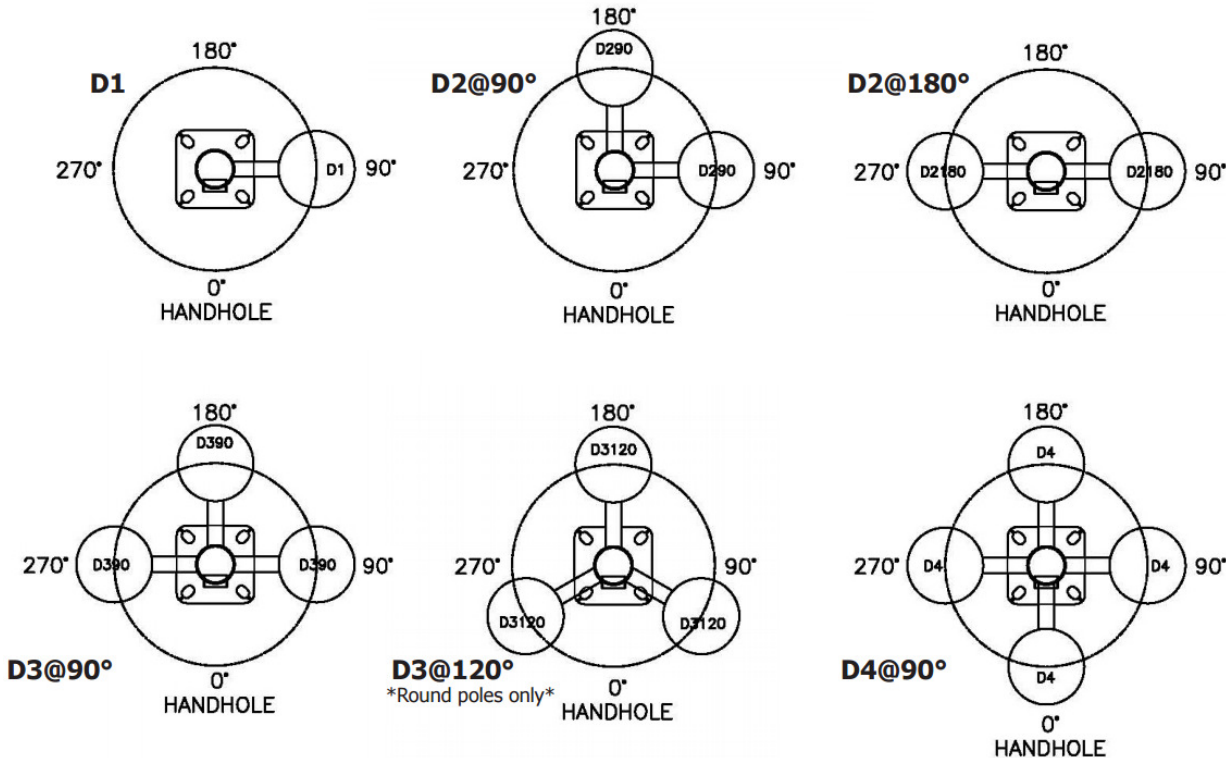
Standard square base covers are included on all steel pole orders (square and round poles). The base cover is rust proof, tamper resistant and made of an ABS plastic with UV inhibitor to eliminate color fading. *Part number: STD*

POLE TOP MOUNTING OPTIONS

Choose between a drill mount, or top tenon mount application. Pole caps are provided at no additional cost when a drill mount option is selected.

DRILL MOUNT OPTION

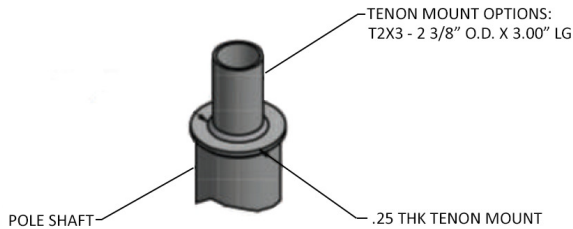
Mounting arrangements offered: D1 (drill for one fixture), D2 (drill for two fixtures- 90 or 180), D3 (drill for three fixtures- 90 or 120) and D4 (drill for four fixtures).



*Illustration shown in plan view.

TENON MOUNT OPTIONS

The tenon mount option comes standard with a 2 3/8" O.D. top tenon, which is bolted to the pole shaft for a secure fit.



Round Pole Example Shown

A. Tenon O.D. Mounting Option

T2X3- 2 3/8" O.D. Tenon

* Contact your Lumecon Sales Representative if you project requires additional tenon options.

POLE ORDERING LOGIC

EXAMPLE: Square Smooth Straight Steel Pole Order Number

U-SSSS-25-4-11-STD-D1

DESIGN DESIGNATION	U-SSSS
MOUNTING HEIGHT	25'
POLE SIZE	4" Square
WALL THICKNESS	11 Gauge
BASE DESIGNATION	Standard
POLE TOP MOUNTING OPTION	D1

Don't see what you are looking for? Contact your Lumecon Sales Representative for additional pole options and accessories.