



FSP-211 Digital High/Low/Off Passive Infrared Fixture Integrated Outdoor Sensor

Fully adjustable high and low dimmed light levels; optional dusk to dawn control

Designed for LED fixtures; rated for extreme temperatures and up to 200,000 on/off cycles

Hold off setpoint with automatic calibration option for convenience and added energy savings



Adjustable via handheld wireless configuration tool

IP66 rated with choice of lenses for wet and outdoor locations, and mounting heights from 8' to 40'

Adjustable time delay and cut off delay



PROJECT
LOCATION/TYPE

Product Overview

Description

The FSP-211 mounts in an outdoor lighting fixture and provides multi-level control based on motion and/or daylight contribution. It controls 0-10 VDC LED drivers or dimming ballasts, as well as non-dimming ballasts and, with an FSP-Lx Lens, is rated for wet and cold locations. All control parameters are adjustable via a wireless configuration tool capable of storing and transmitting sensor profiles.

Operation

Typically, the sensor ramps lighting On to the selected High mode level when motion is detected and the ambient light level is below the hold off setpoint. After the sensor stops detecting movement and the time delay elapses, lights fade to the Low mode level. If there is no motion during the subsequent cut off time delay, the lights will turn Off. For dusk to dawn control, the integral photocell can switch the lights On and Off based on the ambient light level so that lighting remains on overnight even without motion detection.

Wireless Handheld Configuration Tool

Initial setup and subsequent sensor adjustments are made using a handheld configuration tool (FSIR-100). This tool enables adjustment of parameters including high and low modes, sensitivity, time delay, cut off and more. The FSIR-100 is also used to initiate automatic calibration of the FSP-211 ambient light level setpoint. The setpoint is used to hold the controlled lighting off or at low level when there is sufficient daylight. The wireless tool stores up to five sensor parameter profiles to speed configuration of multiple sensors.

Applications

The slim, low-profile FSP-211 is designed for installation inside the bottom of a light fixture body. When fully assembled and installed in an IP66-rated fixture, the sensor and FSP-Lx lenses are IP66 outdoor rated. The sensor is ideal for areas such as parking facilities, gas stations, pedestrian pathways and warehouses. A choice of four lenses ensures complete coverage for mounting heights up to 40'.

Features

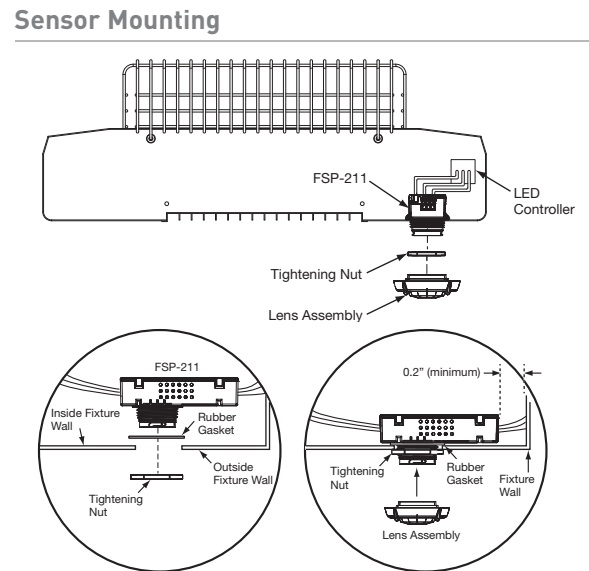
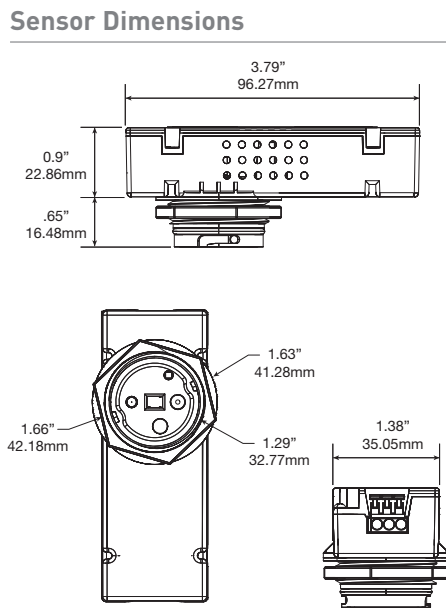
- Provides line voltage On/Off switching and 0-10 VDC dimming control
- Works with ballasts or LED drivers
- High and low modes fully adjustable from 0 to 10V
- Time delay from 5 to 30 minutes
- Optional cut off delay
- Adjustable ramp up and fade down times
- Optional daylighting setpoints feature automatic calibration, or permit manual adjustment
- Configuration tool stores five sensor profiles for quick setup and adjustment of multiple sensors
- Polycarbonate construction; flame retardant, UV resistant, impact resistant, recyclable
- UL244A and UL508; IP66 rated (when fully assembled and installed) for use in wet locations



Specifications

- 120/277 VAC, 50/60Hz
 - Load @120 VAC 0-800W ballast or incandescent
 - Load @277 VAC 0-1200W ballast
- 230 VAC, 50Hz; Load 0-300W ballast
- Relay life rating: 200,000 cycles (120/277 VAC); 50,000 cycles (230 VAC)
- High mode: 0-10 V; default 10 V
- Low mode: Off, 0-9.8 V; default 1 V
- Time delay: 30 sec., 5-30 min.; default 5 min.
- Cut off delay: none, 1-60 min. 1-5 hrs.; default 1 hr.
- Sensitivity: none, low, med, max; default max
- Setpoint: none, 1-250 fc, auto; default disabled
- Photocell On/Off: 1-250 fc; default disabled
- Ramp up time: none, 1-60 sec.; default none
- Fade down time: none, 1-60 sec.; default none
- Operating temperature: -40 to 167°F [-40 to 75°C]
- Operating Humidity: 20-90%
- Weight: 2.8 oz (80 grams)
- IP66, CE compliant
- TUV, UL and cUL listed
- Five year warranty

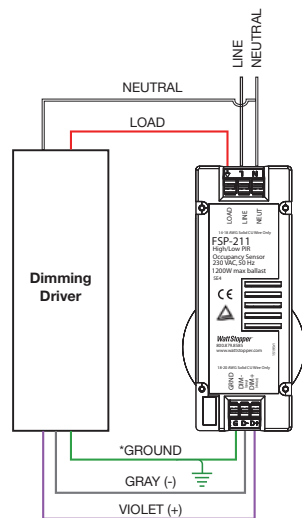
Dimensions & Mounting



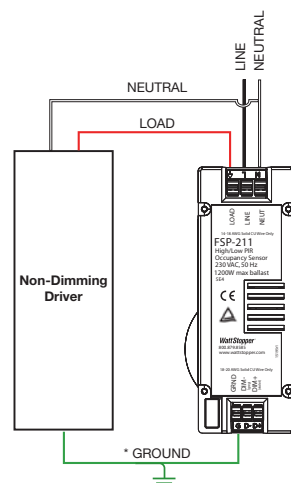
The FSP-211 accommodates fixture wall thickness up to 0.125" (3.18mm).

Wiring

Dimming Wiring Diagram



Non-Dimming Wiring Diagram



*The FSP-211 must be properly grounded.

Ordering Information

Catalog No.	Color	Description	Input Voltage
<input type="checkbox"/> FSP-211	White	Fixture mount, passive infrared motion sensor	120/277V, 50/60Hz or 230V, 50Hz
<input type="checkbox"/> FSP-211-U	White	Fixture mount, passive infrared motion sensor	120/277V, 50/60Hz or 230V, 50Hz
<input type="checkbox"/> FSIR-100	Black	Remote handheld configuration tool	{3} 1.5V AAA alkaline batteries

-U= ARRA-compliant. Product produced in the U.S.