



Catalog Number:	
Project:	
Comments:	
Prepared By:	Date:

Description

The L-RETRO-DG LED Decorative Globe kit offers service professionals an economic, easy to install solution to safely upgrade HID luminaires to LED. Available in three output versions, the L-RETRO-DG Retrofit Kit proves to be the perfect LED conversion solution for your next Decorative Globe project.

Performance Data

Model	Watts	Equip	Delivered Lumens	Efficacy
L-RETRO-DG	35W	175W HID	4,294 Lm	118 LPW
L-RETRO-DG	45W	250W HID	5,311 Lm	118 LPW
L-RETRO-DG	55W	250W HID	6,434 Lm	116 LPW

Technical Specifications

Input Voltage: 120-277V or 347-480V

Kit Contents: The kit consists of an aluminum fitter mounting disk custom designed for the submitted fitter, a kit with integrated LED circuit board, LED driver, 20kA surge suppressor, and all wiring and hardware required for installation. Installation utilizes the 3 provided stainless steel bolts that mount the kit to existing mounting holes and bosses within the fixture. No drilling or modification to the existing housing is required. The kit height can be field adjusted vertically to accommodate various existing globe heights as needed.

Light Engine: Each LED light engine consists of a circuit board of 80 Osram Duris S5 LEDs. The LED board is mounted to a 0.125 aluminum disk and heat sink for maximum heat dissipation from the LEDs.

Color Temperature: 2700K WW, 3000K OW, 4000K NW (standard), 5000K CW. All LED's are rated for a minimum of 100,000 hours of continuous operation at ambient temperatures from -40°F/-40°C to 95°F/35°C.

Color Rendering Index (CRI): Minimum of 80+ or higher.

Dimming: 0-10V standard dimming capability.

Surge Protection: Thermally protected 20kA/ 40kV varistor type surge suppressor is included and meets ANSI C136.2-2015: Extreme Level. Also meets IEC61643-11 Class II / EN61643-11 Type 2, and US Dept of Energy MSSLC Model Spec for surge protection. The device is wired in series with the luminaire input power in order to interrupt power to the luminaire when consumed, protecting the LED power supply and circuit boards from additional electrical surges.

Lumecon ETD™ System: The enhanced thermal dissipation system engines are thermally bonded to provide maximum thermal dissipation to the exterior of the fixture to ensure long life. To protect the light engine panel from moisture and corrosion, the LED light engine panel is uniformly coated with a UV stabilized acrylic polymer resin that meets MIL and ASTM dielectric standards, UL, and IPC standards for flammability, moisture resistance and thermal shock.

DesignLights Consortium® (DLC) Qualified Product: Unless noted, not all versions of this product may be DLC® qualified. For a complete list of Lumecon DLC® Qualified Products visit: www.designlights.org.

Certification Data: CSA 22.2 No. 250 for Wet Locations. *Full compliance and test documentation is available for TM-21, LM-79, LM-80, CSA Listing to UL1598 and UL 8750.

Manufacturing Origin: US Manufactured and Assembled.

Buy American: Meets Buy American requirements within the ARRA.

Warranty: 10 Year L70 performance based warranty. For full warranty terms, please visit our website: www.lumecon.com



NATIONAL ASSOCIATION OF ELECTRICAL DISTRIBUTORS

Ordering Information

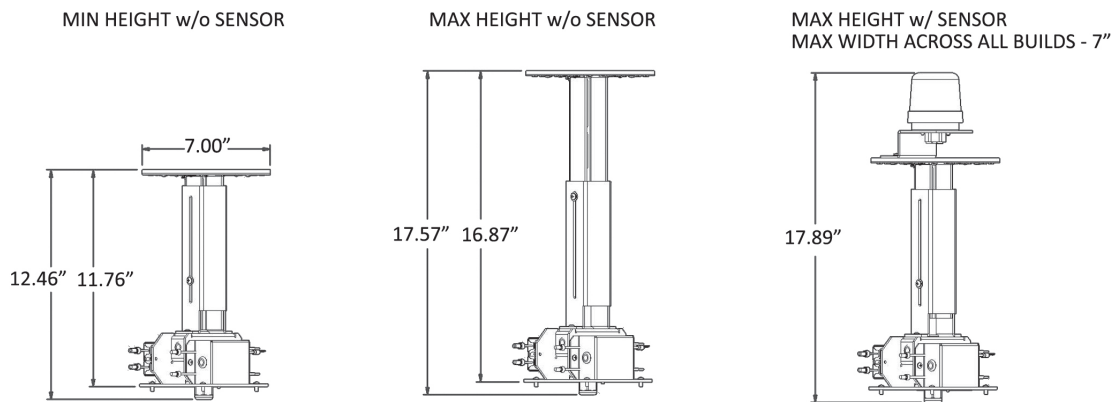
L-RETRO-DG Options / Ordering Example: L-RETRO-DG-35-1-NW

WATTAGE	VOLTAGE	COLOR TEMPERATURE
35 - 35 Watts	1 - 120v - 277v	CW - Cool (5,000K)
45 - 45 Watts	2 - 347v - 480v	NW - Neutral (4,000K)
55 - 55 Watts		OW - Warm (3,000K)
		WW - Warm (2,700K)

Options & Accessories

House Side Shield Part Number 32-00110

Dimensions



Photometric Data

