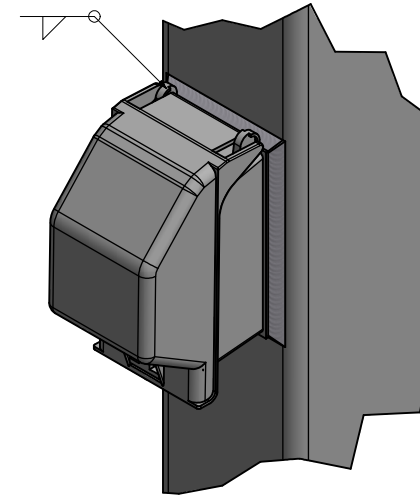
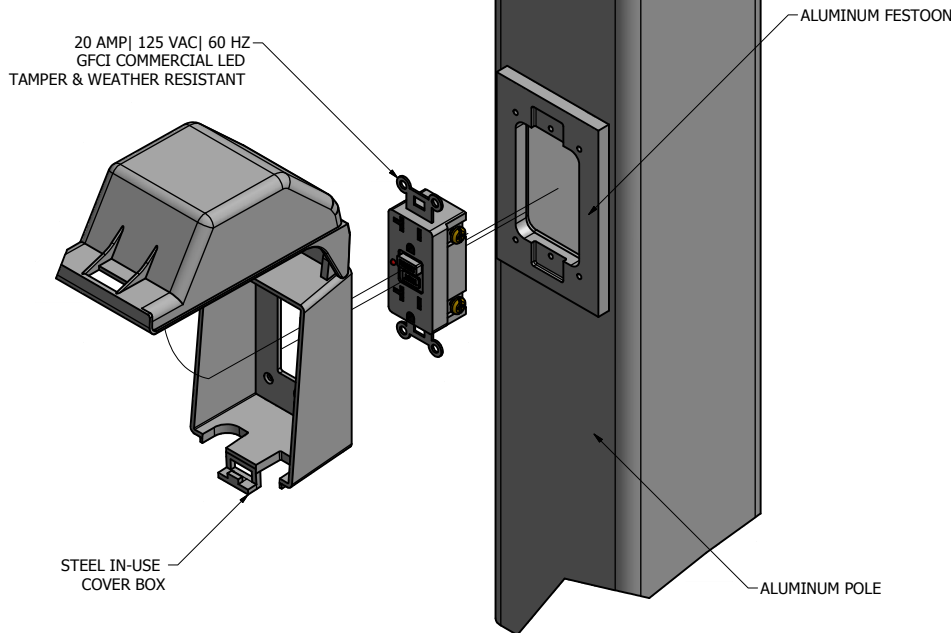


**NOTES:**

1. WEATHER PROOF WHILE IN USE
2. HEAVY DUTY ALL METAL CONSTRUCTION
3. LOCKABLE SECURITY COVER
4. 3 1/4 IN. INTERNAL DEPTH
5. FOR USE WITH GFCI, DUPLEX, SWITCH, OR SINGLE RECEPTACLES.
6. MEETS NEC EXTRA DUTY REQUIREMENTS
7. PROVIDED WITH ADAPTER PLATES AND FOAM GASKET.



ALUMINUM GFCI RECEPTACLE PROVISION



ALUMINUM GFCI RECEPTACLE PROVISION

**GFCI LOCATION:**  
TOP BOTTOM

**GFCI ORIENTATION (IN RELATION TO HAND HOLE):**  
0° 90° RIGHT 90° LEFT 180°

**SIGNATURE:**  
**DATE:**

**SPECIAL INSTRUCTIONS:**

**NOTE:** MINIMUM GFCI HEIGHT IS 24" FROM BASE OF POLE AND 6" FROM TOP OF POLE. WHEN DECORATIVE BASE OPTION IS CHOSEN, GFCI LOCATION IS A MINIMUM OF 2" FROM TOP OF BASE.

	DRAWN:	7/12/2016
	CHECKED:	
	REVISION:	DATE:
	APPROVED:	
	QUOTE:	
	S.O.#	
	REF:	SCALE: NONE



<small>SOME GEOGRAPHICAL AREAS HAVE SPECIAL WIND CONDITIONS THAT CAN CREATE WIND INDUCED VIBRATIONS CAUSING A FATIGUE PROBLEM. NO METHOD HAS YET BEEN FOUND FOR PREDICTING DESTRUCTIVE LIGHTING POLE VIBRATION. THESE CONDITIONS ARE UNIQUE AND CANNOT BE GUARANTEED AGAINST, AND ARE THE RESPONSIBILITY OF A LOCAL SITE ENGINEER.</small>		
TITLE: ALUMINUM GFCI		
CATALOG:		
DWG NO: GFCI IN-USE COVER	SIZE: C	SHEET 2 OF 2