



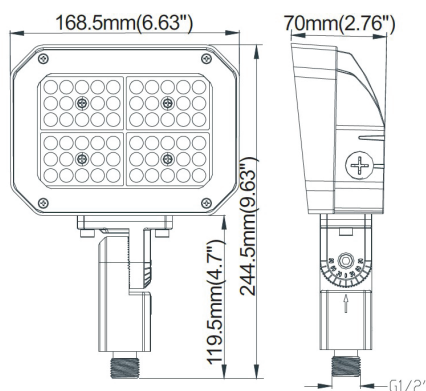
Catalog Number:	
Project:	
Comments:	
Prepared By:	Date:

Description

The LWS-SFL small flood LED light comes standard with an adjustable knuckle mounting option. With the ability to replace 100W - 175W HID fixtures one-for-one, the LWS-SFL is most adapted to area light, general security, and sign accent lighting applications.

Dimensions & Weights

Model	Width	Length	Height	Weight
LWS-SFL	2.76"	6.63"	9.63"	5.5 lbs



Technical Specifications

Input Voltage: 120-277V

Housing: Die cast aluminum housing and front frame with textured architectural bronze powder coat finish over a chromate conversion coating.

Lens: Tempered clear glass lens, sealed with silicone gasket.

Mounting: Adjustable knuckle with 1/2" NPT threads (standard). Additional mounting methods include: swivel bracket, yoke, post top fitter and ground stake. Post top fitter and ground stake options require an adjustable knuckle.

Color Temperature: 2200K, 2700K, 3000K, 4000K (standard), 5000K.

LED Lifetime: All LED's are rated for a minimum of 100,000 hours of continuous operation at ambient temperatures from -40°F/-40°C to 95°F/35°C.

Color Rendering Index (CRI): Minimum of 80 or higher. CRI 90+ available upon request. CRI 90 not available in 2200K.

Dimming: Triac, ELV and 0-10V standard dimming capability.

Lumecon ETD™ System: The enhanced thermal dissipation system engines are thermally bonded to provide maximum thermal dissipation to the exterior of the fixture to ensure long life. To protect the light engine panel from moisture and corrosion, the LED light engine panel is uniformly coated with a UV stabilized acrylic polymer resin that meets MIL and ASTM dielectric standards, UL, and IPC standards for flammability, moisture resistance and thermal shock.

NEMA Beam Rating: 6x5

IP65 Ingress Rating

Certification Data: ETL Listed to UL 1598, UL 8750 and CSA 22.2 No. 250. *Full compliance and test documentation is available for TM-21, LM-79, LM-80, ETL Listing to UL 1598 and UL 8750.

Manufacturing Origin: US Manufactured and Assembled.

Buy American: Meets Buy American requirements within the ARRA.

Warranty: 10 Year L70 performance based warranty. For full warranty terms, please visit our website: www.lumecon.com



Ordering Information

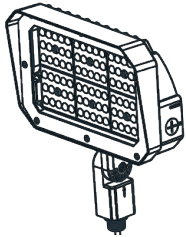
LWS-SFL – Options / Ordering Example: LWS-SFL-15-DB-1-40-A

Wattage	Color	Voltage	Color Temperature	Mounting Methods
15 - 15 Watts	DB - Dark Bronze	1 - 120v-277v	22 - 2200K	A - Adjustable Knuckle
25 - 25 Watts	CC - Custom Color		27 - 2700K	SB - Swivel Bracket
			30 - 3000K	Y - Yoke
			40 - 4000K	GR - Ground Stake ¹
			50 - 5000K	

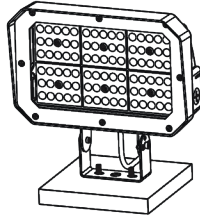
¹. Requires Adjustable Knuckle

Options & Accessories

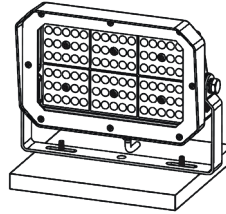
PC1 - 120v-277v External Pencil Photocell



A - Adjustable Knuckle Mount



SB - Swivel Bracket



Y - Yoke Mount

Performance Data

Model	Watts	2700K		3000K		4000K		5000K	
		Lumens	Efficacy	Lumens	Efficacy	Lumens	Efficacy	Lumens	Efficacy
LWS-SFL-15	15W	1,805	108	1,887	114	2,197	132	2,133	129
LWS-SFL-25	25W	2,500	101	2,706	106	2,924	123	2,852	120