



| | |
|-----------------|-------|
| Catalog Number: | |
| Project: | |
| Comments: | |
| Prepared By: | Date: |

Description

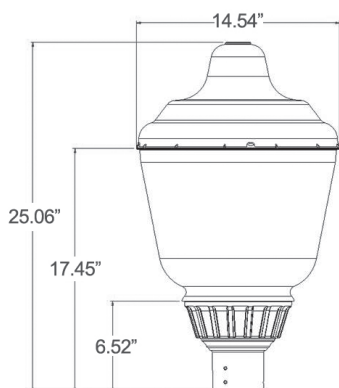
The Lumecon Little Woodward refractor and prismatic top feature a traditional turn-of-the-century shape and cutting edge photometric performance. The LLW features precise prisms achievable only through injection molding. The prisms provide pleasing daytime "prismatic sparkle" and provide excellent uniformity, light distribution and efficiency for nighttime performance. Assembled refractor bottom and top are 14.11" in diameter, 19.05" high.

Performance Data

| Model | Watts | Equiv | Delivered Lumens | Efficacy |
|--------|-------|----------|------------------|----------|
| LLW-35 | 35W | 175W HID | 4,294 Lm | 118 LPW |
| LLW-45 | 45W | 250W HID | 5,311 Lm | 118 LPW |
| LLW-55 | 55W | 250W HID | 6,434 Lm | 116 LPW |

Dimensions & Weights

| Model | Ring Diameter | Globe Height | Weight |
|-------|---------------|--------------|---------|
| LLW | 14.54" | 25.06" | 9.5 lbs |



Technical Specifications

Input Voltage: 120-277V or 347-480V

Light Engine: Each LED light engine consists of a circuit board of 80 Nichia 757G LEDs. The LED board is mounted to a 0.125 aluminum disk and heat sink for maximum heat dissipation from the LEDs.

Globe: Our two-piece acrylic lens post top features precise prisms achievable only through injection molding. The prisms provide pleasing daytime "prismatic sparkle" and provide excellent uniformity, light distribution and efficiency for nighttime performance. The globe carries a 20 year warranty which includes resistance to yellowing as we define as having a yellowness index of less than 7.



Effective Projected Area (EPA): 0.65 ft²

Color Temperature: 2200K RW, 2700K WW, 3000K OW, 4000K NW (standard), 5000K CW.

LED Lifetime: All LED's are rated for a minimum of 100,000 hours of continuous operation at ambient temperatures from -40°F/-40°C to 95°F/35°C.

Color Rendering Index (CRI): Minimum of 80 or higher.

Dimming: 0-10V standard dimming capability.

Surge Protection: Thermally protected 20kA/ 40kV varistor type surge suppressor is included and meets ANSI C136.2-2015: Extreme Level. Also meets IEC61643-11 Class II / EN61643-11 Type 2, and US Dept of Energy MSSLC Model Spec for surge protection. The device is wired in series with the luminaire input power in order to interrupt power to the luminaire when consumed, protecting the LED power supply and circuit boards from additional electrical surges.

Lumecon ETD™ System: The enhanced thermal dissipation system engines are thermally bonded to provide maximum thermal dissipation to the exterior of the fixture to ensure long life. To protect the light engine panel from moisture and corrosion, the LED light engine panel is uniformly coated with a UV stabilized acrylic polymer resin that meets MIL and ASTM dielectric standards, UL, and IPC standards for flammability, moisture resistance and thermal shock.

Manufacturing Origin: US Manufactured and Assembled.

Buy American: Meets Buy American requirements within the ARRA.

Warranty: 10 Year L70 performance based warranty. For full warranty terms, please visit our website: www.lumecon.com

Ubiquia® Wireless Controls: Turn every Lumecon light into a smart city hub to control lights, densify WIFI and provide data backhaul. Ubiquia UbiCell Wireless Node allows for advanced light control via Ubiqu Control Platform. All nodes are self-provisioning on power-up and are global Carrier LTE compatible with no Gateways or Concentrators required. Single SKU 120v to 480v operation, 22 Satellite Global GPS and Celestial Clock, Simultaneous Metering for Line and Load, High Accuracy Tilt and Vibration sensor, 10 second Last Gasp and Nonvolatile Memory, OTA Updates and a 10 year warranty. Ask your local Lumecon Representative for more information.

Limelight Wireless Controls: by Lutron is a wireless lighting control solution for outdoor and industrial facilities that provides remote control and management, saves energy, and enhances facility safety. This option includes a factory-installed wireless control module and sensors that seamlessly integrate data into Lutron's existing data and management platform, Enterprise Vue.

Assembly Required



Ordering Information

LLW Options / Ordering Example: LLW-35-1-NW-2-B

| Wattage | Voltage | Color Temperature | Fitter / Base | Paint Color |
|----------|---------------|-------------------|---|-------------------|
| 35 - 35W | 1 - 120v-277v | 22 - 2200K | 2 - 8" Fitter for 3" OD pole (8" 1/2 T) | B - Black |
| 45 - 45W | 2 - 347v-480v | WW - 2700K | | CC - Custom Color |
| 55 - 55W | | OW - 3000K | | |
| | | NW - 4000K | | |
| | | CW - 5000K | | |

Options:

7P - Seven-pin Twist Lock Photocell Receptacle Only

UBI - Ubiquia Wireless Controls ¹

PC1 - 120v-277v Button Eye Style

PC2 - 480v Button Eye Style

S - Spike Finial

L - Fleur-De-Lis

H - House Side Shield

LLC- Limelight by Lutron Radio Module

Not available with 2- 347-480v or PC1. Requires the 7P option to be selected.

LLCM- Limelight by Lutron Radio Module and PIR Sensor Assembly - Medium Mounting Height (>15 to 30' mounting height)

Not available with 2- 347-480v or PC1. Requires the 7P option to be selected.

LLCL- Limelight by Lutron Radio Module and PIR Sensor Assembly - Low Mounting Height (8-15' mounting height)

Not available with 2- 347-480v or PC1. Requires the 7P option to be selected.

Notes:

1. UBI requires the 7P option be selected



Fitter / Base Option 2
Part Number: 27-00137
8" Neck with 3" OD Pole
8 1/2" Tall



S - Spike Finial



L - Fleur-De-Lis