



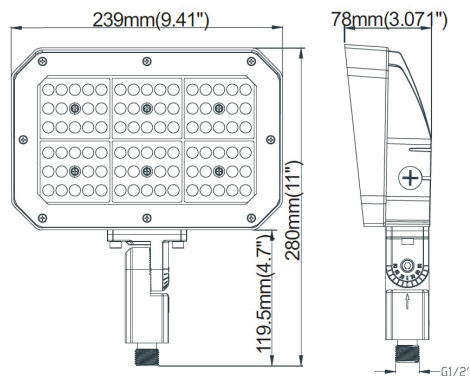
Catalog Number:	
Project:	
Comments:	
Prepared By:	Date:

Description

The LWS-LFL Large flood LED light comes standard with an adjustable knuckle mounting option. With the ability to replace 175W - 250W HID fixtures one-for-one, the LWS-LFL is most adapted to area light, general security, and sign accent lighting applications.

Dimensions & Weights

Model	Width	Length	Height
LWS-LFL	3.07"	9.61"	11"



Technical Specifications

Input Voltage: 120-277V

Housing: Die cast aluminum housing and front frame with textured architectural bronze powder coat finish over a chromate conversion coating.

Lens: Tempered clear glass lens, sealed with silicone gasket.

Mounting: Adjustable knuckle with 1/2" NPT threads (standard). Additional mounting methods include: swivel bracket, yoke mount, post top fitter and ground stake. Post top fitter and ground stake options require an adjustable knuckle. Die-cast post top fitter for 2 3/8" to 3 1/2" Poles, bronze powder coat finish, three (3) 1/2" Coin Plugs.

Color Temperature: 2200K, 2700K, 3000K, 4000K (standard), 5000K.

LED Lifetime: All LED's are rated for a minimum of 100,000 hours of continuous operation at ambient temperatures from -40°F/-40°C to 95°F/35°C.

Color Rendering Index (CRI): Minimum of 80 or higher. CRI 90+ available upon request. CRI 90+ not available in 2200K.

Dimming: 0-10V standard dimming capability.

Lumecon ETD™ System: The enhanced thermal dissipation system engines are thermally bonded to provide maximum thermal dissipation to the exterior of the fixture to ensure long life. To protect the light engine panel from moisture and corrosion, the LED light engine panel is uniformly coated with a UV stabilized acrylic polymer resin that meets MIL and ASTM dielectric standards, UL, and IPC standards for flammability, moisture resistance and thermal shock.

NEMA Beam Rating: 6x5

IP65 Ingress Rating

Certification Data: ETL Listed to UL 1598, UL 8750 and CSA 22.2 No. 250. *Full compliance and test documentation is available for TM-21, LM-79, LM-80, ETL Listing to UL 1598 and UL 8750.

DesignLights Consortium® (DLC) Qualified Product: Unless noted, not all versions of this product may be DLC® qualified. For a complete list of Lumecon DLC® Qualified Products visit: www.designlights.org.

Manufacturing Origin: US Manufactured and Assembled.

Buy American: Meets Buy American requirements within the ARRA.

Warranty: 10 Year L70 performance based warranty. For full warranty terms, please visit our website: www.lumecon.com

Limelight Wireless Controls: by Lutron is a wireless lighting control solution for outdoor and industrial facilities that provides remote control and management, saves energy, and enhances facility safety. This option includes a factory-installed wireless control module and sensors that seamlessly integrate data into Lutron's existing data and management platform, Enterprise Vue.



Ordering Information

LWS-LFL – Options / Ordering Example: LWS-LFL-25-DB-1-40-A

Wattage	Color	Voltage	Color Temperature	Mounting Methods
25 - 25 Watts	DB - Dark Bronze	1 - 120v-277v	22 - 2200K	A - Adjustable Knuckle
40 - 40 Watts	CC - Custom Color		27 - 2700K	SB - Swivel Bracket
60 - 60 Watts			30 - 3000K	Y - Yoke
			40 - 4000K	GR - Ground Stake ¹
			50 - 5000K	PSF - Post Top Fitter ¹

¹. Requires Adjustable Knuckle

Options & Accessories

PC1 - 120v-277v External Pencil Photocell

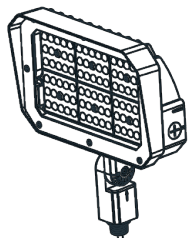
LLC- Limelight by Lutron Radio Module - Not available with UH voltage or PC1 option.

LLCM- Limelight by Lutron Radio Module and PIR Sensor Assembly

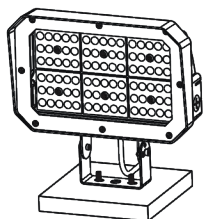
Medium Mounting Height (>15 to 30' mounting height) - *Not available with PC1 option.*

LLCL- Limelight by Lutron Radio Module and PIR Sensor Assembly

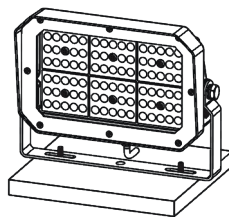
Low Mounting Height (8-15' mounting height) - *Not available with PC1 option.*



A - Adjustable Knuckle Mount



SB - Swivel Bracket



Y - Yoke Mount



GR - Ground Stake



PSF - Post Top Fitter

Performance Data

Model	Watts	2200K		2700K		3000K		4000K		5000K	
		Lumens	Efficacy	Lumens	Efficacy	Lumens	Efficacy	Lumens	Efficacy	Lumens	Efficacy
LWS-LFL-25	25W	2,229	85	2,839	108	3,243	124	3,356	128	3,428	131
LWS-LFL-40	40W	3,341	84	4,259	106	4,896	122	4,964	124	5,011	125
LWS-LFL-60	60W	4,440	74	5,640	94	6,965	116	7,256	121	7,725	128