



Catalog Number:	
Project:	
Comments:	
Prepared By:	Date:

Description

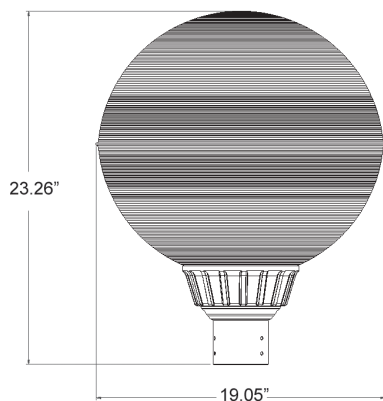
The Lumecon Big Ball of Fire Series is designed to enhance any downtown streetscape and site lighting by bringing both historically significant and Euro-styled uniqueness to outdoor lighting applications. The LBBOF luminaires completely integrates form and function. The entire surface area of the specially injection molded prisms direct light where it is needed, in a controlled distribution, giving enhanced spacing between luminaires while providing superior uniformity.

Performance Data

Model	Watts	Equiv	Delivered Lumens	Efficacy
LBBOF-35	35W	175W HID	4,294 Lm	118 LPW
LBBOF-45	45W	250W HID	5,311 Lm	118 LPW
LBBOF-55	55W	250W HID	6,434 Lm	116 LPW

Dimensions & Weights

Model	Ring Diameter	Globe Height	Weight
LBBOF	19.05"	23.26"	12.5 lbs



Technical Specifications

Input Voltage: 120-277V or 347-480V

Light Engine: Each LED light engine consists of a circuit board of 80 Nichia 757G LEDs. The LED board is mounted to a 0.125 aluminum disk and heat sink for maximum heat dissipation from the LEDs.

Globe: Our two-piece acrylic lens post top features precise prisms achievable only through injection molding. The prisms provide pleasing daytime "prismatic sparkle" and provide excellent uniformity, light distribution and efficiency for nighttime performance. The globe carries a 20 year warranty which includes resistance to yellowing as we define as having a yellowness index of less than 7.



Effective Projected Area (EPA): 0.65 ft²

Color Temperature: 2200K RW, 2700K WW, 3000K OW, 4000K NW (standard), 5000K CW.

LED Lifetime: All LED's are rated for a minimum of 100,000 hours of continuous operation at ambient temperatures from -40°F/-40°C to 95°F/35°C.

Color Rendering Index (CRI): Minimum of 80 or higher.

Dimming: 0-10V standard dimming capability.

Surge Protection: Thermally protected 20kA/ 40kV varistor type surge suppressor is included and meets ANSI C136.2-2015: Extreme Level. Also meets IEC61643-11 Class II / EN61643-11 Type 2, and US Dept of Energy MSSLC Model Spec for surge protection. The device is wired in series with the luminaire input power in order to interrupt power to the luminaire when consumed, protecting the LED power supply and circuit boards from additional electrical surges.

Lumecon ETD™ System: The enhanced thermal dissipation system engines are thermally bonded to provide maximum thermal dissipation to the exterior of the fixture to ensure long life. To protect the light engine panel from moisture and corrosion, the LED light engine panel is uniformly coated with a UV stabilized acrylic polymer resin that meets MIL and ASTM dielectric standards, UL, and IPC standards for flammability, moisture resistance and thermal shock.

Manufacturing Origin: US Manufactured and Assembled.

Buy American: Meets Buy American requirements within the ARRA.

Warranty: 10 Year L70 performance based warranty. For full warranty terms, please visit our website: www.lumecon.com

Limelight Wireless Controls: by Lutron is a wireless lighting control solution for outdoor and industrial facilities that provides remote control and management, saves energy, and enhances facility safety. This option includes a factory-installed wireless control module and sensors that seamlessly integrate data into Lutron's existing data and management platform, Enterprise Vue.

Assembly Required



Email: sales@lumecon.com Website: www.lumecon.com Phone: 248-477-5009

Copyright © 2022 Lumecon LLC. All Rights Reserved.

Note: Specifications and photometric data are subject to change at any time without notice.

Please see www.lumecon.com for current specifications and documentation.

Ordering Information

LBBOF Options / Ordering Example: LBBOF-35-1-NW-2-B

Wattage	Voltage	Color Temperature	Fitter / Base	Paint Color
35 - 35W	1 - 120v-277v	22 - 2200K	2 - 8" Fitter for 3" OD pole (8" 1/2 T)	B - Black
45 - 45W	2 - 347v-480v	WW - 2700K		CC - Custom Color
55 - 55W		OW - 3000K		
		NW - 4000K		
		CW - 5000K		

Options:

7P - Seven-pin Twist Lock Photocell Receptacle Only

PC1 - 120v-277v Button Eye Style

PC2 - 480v Button Eye Style

LLC- Limelight by Lutron Radio Module

Not available with 2- 347-480v or PC1. Requires the 7P option to be selected.

LLCM- Limelight by Lutron Radio Module and PIR Sensor Assembly - Medium Mounting Height (>15 to 30' mounting height)

Not available with 2- 347-480v or PC1. Requires the 7P option to be selected.

LLCL- Limelight by Lutron Radio Module and PIR Sensor Assembly - Low Mounting Height (8-15' mounting height)

Not available with 2- 347-480v or PC1. Requires the 7P option to be selected.



Fitter / Base Option 2
 Part Number: 27-00137
 8" Neck with 3" OD Pole
 8 1/2" Tall