



Catalog Number:	
Project:	
Comments:	
Prepared By:	Date:

Technical Specifications

Input Voltage: 120-277V or 347-480V

Housing: Die cast aluminum housing and front frame with black powder coat finish over a chromate conversion coating. Housing features an integrated heat sink and driver compartment built into the fixture design. Optional photocell accessory available.

Mounting: Available models to slip fit onto a 2 3/8" or 3" tenon.

Color Temperature: 2200K, 2700, 3000K, 4000K (standard), 5000K.

LED Lifetime: All LED's are rated for a minimum of 100,000 hours of continuous operation at ambient temperatures from -40°F/-40°C to 120°F/50°C.

Color Rendering Index (CRI): Minimum of 80 or higher. CRI 90+ available upon request. CRI 90+ not available in 2200K.

Effective Projected Area (EPA): 1.65 ft²

Dimming: 0-10V standard dimming capability.

Surge Protection: Thermally protected 20kA/ 40kV varistor type surge suppressor is included and meets ANSI C136.2-2015: Extreme Level. Also meets IEC61643-11 Class II / EN61643-11 Type 2, and US Dept of Energy MSSLC Model Spec for surge protection. The device is wired in series with the luminaire input power in order to interrupt power to the luminaire when consumed, protecting the LED power supply and circuit boards from additional electrical surges.

Lumecon ETD™ System: The enhanced thermal dissipation system engines are thermally bonded to provide maximum thermal dissipation to the exterior of the fixture to ensure long life. To protect the light engine panel from moisture and corrosion, the LED light engine panel is uniformly coated with a UV stabilized acrylic polymer resin that meets MIL and ASTM dielectric standards, UL, and IPC standards for flammability, moisture resistance and thermal shock.

Battery Back-Up (Optional): When triggered into emergency mode, the BBU operates the LEDs for a code-compliant 90 minutes. When AC power is restored, the driver automatically returns to charging mode. The BBU is a UL recognized component and meets all applicable safety standards.

DesignLights Consortium® (DLC) Qualified Product: Unless noted, not all versions of this product may be DLC® qualified. For a complete list of Lumecon DLC® Qualified Products visit: www.designlights.org.

Certification Data: ETL Listed to UL 1598, UL 8750 for Wet Locations. *Full compliance and test documentation is available for TM-21, LM-79, LM-80, ETL Listing to UL1598 and UL 8750.

Manufacturing Origin: US Manufactured and Assembled.

Buy American: Meets Buy American requirements within the ARRA.

Warranty: 10 Year L70 performance based warranty. For full warranty terms, please visit our website: www.lumecon.com

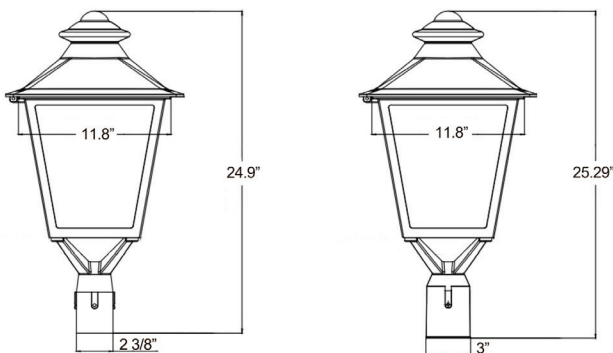
Limelight Wireless Controls: by Lutron is a wireless lighting control solution for outdoor and industrial facilities that provides remote control and management, saves energy, and enhances facility safety. This option includes a factory-installed wireless control module and sensors that seamlessly integrate data into Lutron's existing data and management platform, Enterprise Vue.

Description

The Lumecon Carriage Post Top is a traditional decorative fixture for outdoor lighting that's reminiscent of early American style. The look is fluid and simple, inspired by old world gas lanterns. Available in multiple wattage, color temperatures and four distribution versions, this fixture is able to replace existing 100W-250W HID's one-for-one. Each model delivers superior lumen output to illuminate your next downtown lighting project.

Dimensions & Weights

Model	Width	Height	Depth	Weight
LCPT-2 3/8" Tenon	11.8"	24.9"	11.8"	17 lbs
LCPT-3" Tenon	11.8"	25.29"	11.8"	17 lbs



Email: sales@lumecon.com Website: www.lumecon.com Phone: 248-477-5009

Copyright © 2022 Lumecon LLC. All Rights Reserved.

Note: Specifications and photometric data are subject to change at any time without notice.

Please see www.lumecon.com for current specifications and documentation.

Ordering Information

LCPT – Options / Ordering Example: LCPT-25-B-T5-1-40-2

Wattage	Color	Distribution Type	Voltage	Color Temperature	Mounting Methods
25 - 25 Watts	B - Black	T4 - Type IV	1 - 120v-277v	22 - 2200K	2 - 2 3/8" Tenon
30 - 30 Watts	CC - Custom Color	T5 - Type V	2 - 347v-480v	27 - 2700K	3 - 3" Tenon
45 - 45 Watts				30 - 3000K	
55 - 55 Watts				40 - 4000K	
65 - 65 Watts				50 - 5000K	

Options & Accessories

R - Receptacle Only

RC - Receptacle Only with Shorting Cap

 7P - Seven-pin Twist Lock Photocell Receptacle Only¹

PC3 - 120v-277v Twist Lock Photocell (10 year warranty)

PC4 - 347v-480v Twist Lock Photocell (10 year warranty)

 LLC- Limelight by Lutron Radio Module - *Not available with 2- 347-480v. Requires the 7P option to be selected.*

 LLCM- Limelight by Lutron Radio Module and PIR Sensor Assembly - Medium Mounting Height (>15 to 30' mounting height)
Not available with 2- 347-480v. Requires the 7P option to be selected.

 LLCL- Limelight by Lutron Radio Module and PIR Sensor Assembly - Low Mounting Height (8-15' mounting height)
Not available with 2- 347-480v. Requires the 7P option to be selected.

Notes:

1. For units with 7P the mounting must be restricted to +/-45° from horizontal aim per ANSI C1136.10-2010

Performance Data

Model	Distribution Type	Watts	2200K		2700K		3000K		4000K		5000K	
			Lumens	Efficacy	Lumens	Efficacy	Lumens	Efficacy	Lumens	Efficacy	Lumens	Efficacy
LCPT-25	Type 4	25W	1,893	70	2,013	75	2,107	78	2,343	87	2,133	79
	Type 5	25W	2,050	76	2,402	89	2,514	94	2,795	104	2,545	95
LCPT-30	Type 4	30W	2,335	62	2,736	73	2,864	76	3,184	84	2,899	77
	Type 5	30W	2,786	74	3,265	87	3,417	91	3,800	101	3,458	92
LCPT-45	Type 4	45W	2,808	60	3,291	70	3,445	73	3,830	82	3,487	74
	Type 5	45W	3,351	71	3,927	84	4,111	88	4,570	97	4,163	89
LCPT-55	Type 4	55W	3,248	57	3,806	67	3,984	70	4,429	78	4,033	71
	Type 5	55W	3,876	69	4,541	80	4,754	84	5,285	93	4,813	85
LCPT-65	Type 4	65W	3,382	55	3,993	64	4,180	68	4,646	75	4,232	68
	Type 5	65W	4,067	66	4,793	77	4,969	81	5,544	90	5,045	82