



Catalog Number:	
Project:	
Comments:	
Prepared By:	Date:

Description

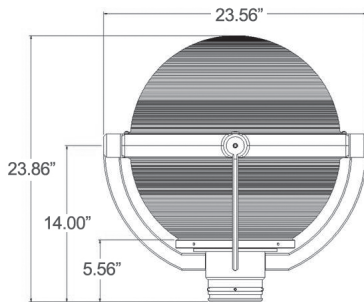
The Thirty-Five West decorative post-top utilizes our patented thermal integrated trim ring for maximize heat dissipation. Available in three wattage outputs, it is able to replace 100W-250W fixtures one-for one. Each model delivers superior lumen output to illuminate your next downtown lighting project.

Performance Data

Model	Watts	Equiv	Delivered Lumens	Efficacy
Thirty-Five West L35W - 1 (Type V)	54W	100W HID	3,876 Lm	72 LPW
Thirty-Five West L35W - 2 (Type V)	84W	175W HID	5,953 Lm	72 LPW
Thirty-Five West L35W - 3 (Type V)	118W	250W HID	8,426 Lm	72 LPW

Dimensions & Weights

Model	Ring Diameter	Globe Height	Weight
L35W	23.56"	23.86"	35.35 lbs.



Technical Specifications

Input Voltage: 120-277V or 347-480V

Light Distribution: LEDs are mounted to the inside of the fixture trim ring which serves as a heat sink to ensure optimal heat dissipation. This type of mounting allows for a Type 5 light distribution pattern.

Globe: Our two-piece acrylic lens post top features precise prisms achievable only through injection molding. The prisms provide pleasing daytime 'prismatic sparkle' and provide excellent uniformity, light distribution and efficiency for nighttime performance. The globe carries a 20 year warranty which includes resistance to yellowing as we define as having a yellowness index of less than 7.

A cutoff light lid and a diffuser panel option are available to help limit the amount of uplight emitted from the fixture. The cutoff light lid is a solid polished reflector that virtually eliminates light to the upper globe, while the diffuser panel is a frosted panel that allows for 30% uplight to provide a pleasing glow to the upper section of the fixture.

Fitter/ Base: Fitter option compatible with an 8" globe neck size and is designed to slip fit a 4" OD pole.

Effective Projected Area (EPA): 0.65 ft²

Color Temperature: 2200K RW, 2700K WW, 3000K OW, 4000K NW (standard), 5000K CW.

LED Lifetime: All LED's are rated for a minimum of 100,000 hours of continuous operation at ambient temperatures from -40°F/-40°C to 95°F/35°C.

Color Rendering Index (CRI): Minimum of 80 or higher.

Dimming: 0-10V standard dimming capability.

Surge Protection: Thermally protected 20kA/ 40kV varistor type surge suppressor is included and meets ANSI C136.2-2015: Extreme Level. Also meets IEC61643-11 Class II / EN61643-11 Type 2, and US Dept of Energy MSSLC Model Spec for surge protection. The device is wired in series with the luminaire input power in order to interrupt power to the luminaire when consumed, protecting the LED power supply and circuit boards from additional electrical surges.

Lumecon ETD™ System: The enhanced thermal dissipation system engines are thermally bonded to provide maximum thermal dissipation to the exterior of the fixture to ensure long life. To protect the light engine panel from moisture and corrosion, the LED light engine panel is uniformly coated with a UV stabilized acrylic polymer resin that meets MIL and ASTM dielectric standards, UL, and IPC standards for flammability, moisture resistance and thermal shock.

Manufacturing Origin: US Manufactured and Assembled.

Buy American: Meets Buy American requirements within the ARRA.

Warranty: 10 Year L70 performance based warranty. For full warranty terms, please visit our website: www.lumecon.com

Limelight Wireless Controls: by Lutron is a wireless lighting control solution for outdoor and industrial facilities that provides remote control and management, saves energy, and enhances facility safety. This option includes a factory-installed wireless control module and sensors that seamlessly integrate data into Lutron's existing data and management platform, Enterprise Vue.



Ordering Information

L35W Options / Ordering Example: L35W-1-1-NW-B-D

Wattage / Distribution	Voltage	Color Temperature	Paint Color
1 - 54W / Type V	1 - 120v-277v	22 - 2200K	B - Black
2 - 84W / Type V	2 - 347v-480v	WW - 2700K	CC - Custom Color
3 - 117W / Type V		OW - 3000K	<i>*Will need RAL number</i>
		NW - 4000K	
		CW - 5000K	

Options & Accessories

PC1 - 120v-277v Button Eye Style

PC4 - 347v-480v Button Eye Style

7P - Seven-pin Twist Lock Photocell Receptacle Only

C - Cutoff Reflective Lidelid

D - Diffuser Cutoff Lidelid

3TA - 3" Pole Adapter

LLC- Limelight by Lutron Radio Module

Not available with 2- 347-480v or PC1. Requires the 7P option to be selected.

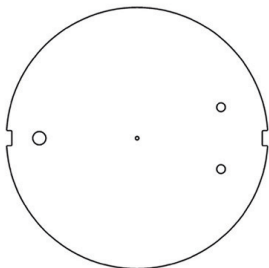
LLCM- Limelight by Lutron Radio Module and PIR Sensor Assembly - Medium Mounting Height (>15 to 30' mounting height)

Not available with 2- 347-480v or PC1. Requires the 7P option to be selected.

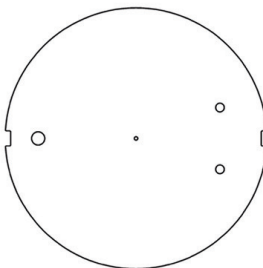
LLCL- Limelight by Lutron Radio Module and PIR Sensor Assembly - Low Mounting Height (8-15' mounting height)

Not available with 2- 347-480v or PC1. Requires the 7P option to be selected.

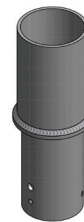
Options & Accessories Images



C - Cutoff Reflective Lidelid:
A thin, MIRO(r) reflective-full cut off lid lid that is strong, ultra-lightweight and dark sky compliant.



D - Diffuser Cutoff Lidelid:
An acrylic/polycarbonate diffused lid lid that's tough and lightweight, with outstanding optical properties diffusing 80% of up light.

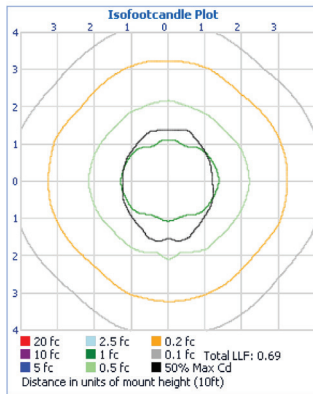


3TA: 3" Pole Adapter

Photometric Data

For .ies files of this product, please visit the downloads tabs on the L35W product page

Thirty-Five West L35W-1



Thirty-Five West L35W-2

