



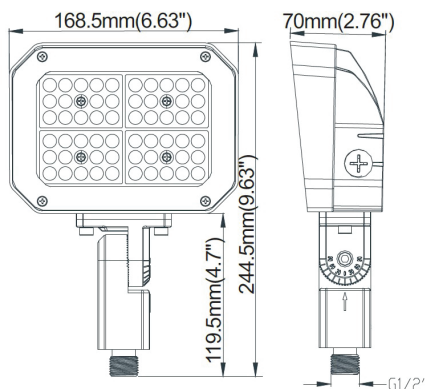
Catalog Number:	
Project:	
Comments:	
Prepared By:	Date:

### Description

The LWS-SFL small flood LED light comes standard with an adjustable knuckle mounting option. With the ability to replace 100W - 175W HID fixtures one-for-one, the LWS-SFL is most adapted to area light, general security, and sign accent lighting applications.

### Dimensions & Weights

Model	Width	Length	Height	Weight
LWS-SFL	2.76"	6.63"	9.63"	4.5 lbs



### Technical Specifications

**Input Voltage:** 120-277V

**Housing:** Die cast aluminum housing and front frame with textured architectural bronze powder coat finish over a chromate conversion coating.

**Lens:** Tempered Clear Glass Lens with an impact-resistant Polycarbonate option for vandal resistance in high abuse lighting environments.

**Mounting:** Adjustable knuckle with 1/2" NPT threads (standard). Additional mounting methods include swivel bracket, yoke mount, slip fitter adapter, and ground stake. Slip fitter adapter, and ground stake options require an adjustable knuckle. Die-cast post top fitter and slip fitter adapter for 2.45" or smaller Poles/ Conduit, bronze powder coat finish, one (1) 1/2" NPT.

**Effective Projected Area (EPA):** 0.25 ft<sup>2</sup>

**Color Temperature:** 2200K, 2700K, 3000K, 4000K, and 5000K.

**LED Lifetime:** All LEDs are rated for a minimum of 100,000 hours of continuous operation at ambient outdoor temperatures from -40°F/-40°C to 115°F/46°C.

**Color Rendering Index (CRI):** Minimum of 80 or higher. CRI 90+ available upon request. CRI 90 not available in 2200K.

**Dimming:** Triac, ELV and 0-10V standard dimming capability.

**Surge Suppression:** 6kV

**Lumecon ETD™ System:** The enhanced thermal dissipation system engines are thermally bonded to provide maximum thermal dissipation to the exterior of the fixture to ensure long life. To protect the light engine panel from moisture and corrosion, the LED light engine panel is uniformly coated with a UV stabilized acrylic polymer resin that meets MIL and ASTM dielectric standards, UL, and IPC standards for flammability, moisture resistance and thermal shock.

**NEMA Beam Rating:** 6x5

**IP65 Ingress Rating**

**Certification Data:** ETL Listed to UL 1598, UL 8750 and CSA 22.2 No. 250. \*Full compliance and test documentation is available for TM-21, LM-79, LM-80, ETL Listing to UL1598 and UL 8750.

**DesignLights Consortium® (DLC) Qualified Product:** Unless noted, not all versions of this product may be DLC® qualified. For a complete list of Lumecon DLC® Qualified Products visit: [www.designlights.org](http://www.designlights.org).

**Manufacturing Origin:** US Manufactured and Assembled.

**Buy American Act:** The product is assembled in the USA and meets the Buy America(n) government procurement requirements under FAR, DFARS, and DOT regulations.

**Warranty:** 10 Year L70 performance based warranty. For full warranty terms, please visit our website: [www.lumecon.com](http://www.lumecon.com)



### Ordering Information

LWS-SFL – Options / Ordering Example: LWS-SFL-15-DB-1-40-A

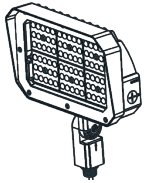
Wattage	Color	Voltage	Color Temperature	Mounting Methods
15 - 15 Watts	DB - Dark Bronze	1 - 120v-277v	22 - 2200K	A - Adjustable Knuckle
25 - 25 Watts	CC - Custom Color		27 - 2700K	SB - Swivel Bracket
			30 - 3000K	Y - Yoke
			40 - 4000K	GR - Ground Stake <sup>1</sup>
			50 - 5000K	SF - Slip Fitter Adapter <sup>1</sup>

*1. Requires Adjustable Knuckle*

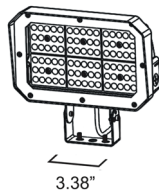
### Options & Accessories

PC1 - 120v-277v External Pencil Photocell

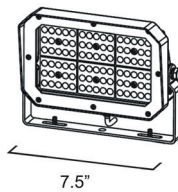
PL - Polycarbonate Lens



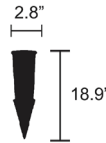
A - Adjustable Knuckle Mount



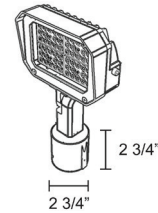
SB - Swivel Bracket



Y - Yoke Mount



GR - Ground Stake  
with 1/2" NPT



SF - Slip Fitter Adapter  
with 1/2" NPT

### Performance Data

		2200K		2700K		3000K		4000K		5000K	
Model	Watts	Lumens	Efficacy	Lumens	Efficacy	Lumens	Efficacy	Lumens	Efficacy	Lumens	Efficacy
LWS-SFL-15	15W	1,351	81	1,805	108	1,887	114	2,197	132	2,133	129
LWS-SFL-25	25W	1,873	76	2,500	101	2,706	106	2,924	123	2,852	120