

# BLUETOOTH SIG



# MESH SENSOR & CONTROLLER

# BLE

**SILVAIR**



## WIRELESS LIGHTING CONTROL SOLUTION AT YOUR FINGERTIPS

Sharkward is a leading manufacturer of energy efficient products for north America and have been designing and manufacturing since 2008. These products include passive Infrared sensor and microwave sensor, **bluetooth SIG Mesh lighting controls**.

Since 2021, Sharkward work with Silvair, we've launched a series Wireless devices: bluetooth Sensors, Controller, Switches, etc...










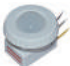
Sharkward get UL for all motion sensors for north America based on **TITLE 24, DLC NLC 5.0** and give 5 years warranty for all motion sensor, and all motion sensor with copy right in USA. Our Silvair Bluetooth Sensors also get **Bluetooth SIG Qualified**.

BLUETOOTH SIG  
MESH SENSOR  
& CONTROLLER






## PIR SENSOR

---

12-24V		ANT-1P-4T-BLE-SR .....	01
		ANT-4D-BLE-SR .....	03
		ANT-4E-BLE-SR .....	05
		ANT-6-4T-BLE-SR .....	07
		ANT-6-ZT-BLE-SR .....	09
		ANT-6-Z10-BLE-SR .....	11
		ANT-6-4R-BLE-SR .....	13
		BRI619-BLE-SR .....	15






---

120-277V		BRI819P-B-D-BLE-SR .....	17
		BRI823-B-D-BLE-SR .....	19
		BRI823-X-D-BLE-SR .....	21

---

## MICROWAVE SENSOR


---

12-24V		ANT-7D-BLE-SR .....	23
		ANT-5-4T-BLE-SR .....	25
		ANT-5-ZT-BLE-SR .....	27
		ANT-5-Z10-BLE-SR .....	29
		ANT-5-4R-BLE-SR .....	31

---

## FIXTURE CONTROLLER

---

12-24V		ANT-5-Z10-FC-BLE-SR .....	33
--------	---	---------------------------	----



Catalog #:  
Prepared By:

Project:  
Date:

Type:

# Sharkward Bluetooth

Technology Partner SILVAIR

## 10-14V 0-10V Fixture-Integrated Bluetooth PIR Sensor



ANT-1P-4T-BLE-SR uses PIR motion detector architecture and passive infrared (PIR) technology for improved detection coverage for high bay and low bay applications. It utilizes a bluetooth low energy (BLE) mesh network. Dim levels and schedules can be set through silvair iOS app.

### FEATURES & SPECIFICATIONS

#### Construction

- ANT-1P-4T-BLE-SR provides multi-level wireless lighting control based on motion and daylight.
- Constructed of white/black PC
- PIR motion sensor can be configured as an occupancy or occupancy and daylight sensor.

#### Electrical

- ANT-1P-4T-BLE-SR utilizes a Bluetooth Low Energy (BLE) mesh network. Dim levels and schedules can be set through Silvair iOS app.
- 360 degree PIR motion sensor can be configured as an occupancy sensor. Occupancy sensor turns lights on automatically when motion is detected and turns lights off automatically after the area is vacated.
- Programmable settings include time

delays and brightness and can be set through Silvair iOS app.

- Features such as parameter profiles, manual dim control, and real-time feedback from the sensor can speed up configuration and provide custom user control.
- Max Bluetooth range is 200'(60m) line of sight and highly dependent on the integration of fixtures, surrounding environment. It is recommended to conduct testing for range accuracy.
- Input Voltage | Current Consumption: 10-14VDC | 50 mA

#### Installation

- Plug in & play design, Low Voltage Connector, match with audio jack
- PIR detection is 360° coverage pattern and is best suited for areas with a clear line of sight and good air circulation

- Operating temperature range of -20°C to +60°C

- Max mounting Height: 12ft(3.6M)
- Available with Magnetic reset (Touch the top part of sensor for 5 seconds)

#### Installation

5-years limited warranty.

#### Listings

- FCC
- UL
- DLC
- Bluetooth Declaration ID: D062134

### ORDERING GUIDE

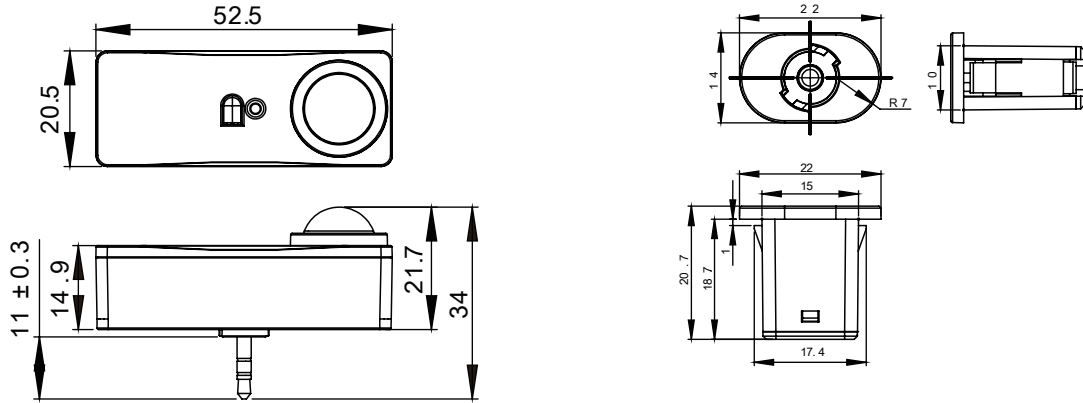
Description	Part Number
10-14V 0-10V Fixture-Integrated Bluetooth PIR Sensor	ANT-1P-4T-BLE-SR

Description  
10-14V 0-10V Fixture-Integrated Bluetooth PIR Sensor

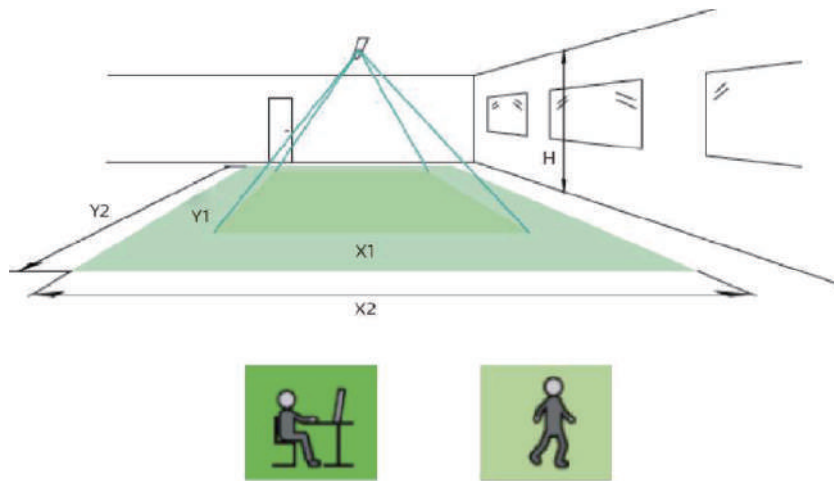


Type:

## DIMENSIONS AND APPEARANCE



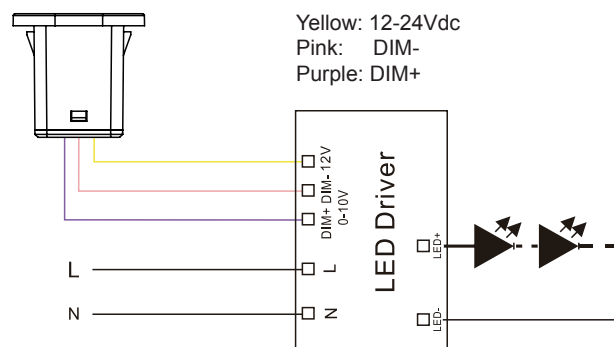
## SENSOR COVERAGE



Height	Minor Movement		Major Movement	
H	Y1	X1	Y2	X2
8'/2.4m	10'/2.9m	9'/2.7m	15'/4.5m	9'/2.9m
10'/3m	12'/3.6m	11'/3.4m	18'/5.4m	12'/3.6m

Note: Longer dimension of detection area ( $Y1$ ,  $Y2$ ) is parallel to longer dimension.

## WIRING DIAGRAM





Catalog #:  
Prepared By:

Project:  
Date:

Type:

# Sharkward Bluetooth

Technology Partner SILVAIR

## Low Voltage 0-10V Fixture-Integrated Bluetooth PIR Sensor



ANT-4D(L7 Lens)

ANT-4D(L8 Lens)



ANT-4D-BLE-SR uses PIR motion detector architecture and passive infrared (PIR) technology for improved detection coverage for high bay, and low bay applications. It utilizes a bluetooth low energy (BLE) mesh network. Dim levels and schedules can be set through silvair iOS app.

### FEATURES & SPECIFICATIONS

#### Construction

- ANT-4D-BLE-SR provides multi-level wireless lighting control based on motion and daylight.
- Constructed of white/black PC
- PIR motion sensor can be configured as an occupancy or occupancy and daylight sensor.

#### Electrical

- ANT-4D-BLE-SR utilizes a Bluetooth Low Energy (BLE) mesh network. Dim levels and schedules can be set through Silvair iOS app.
- 360 degree PIR motion sensor can be configured as an occupancy sensor. Occupancy sensor turns lights on automatically when motion is detected and turns lights off automatically after the area is vacated.
- Programmable settings include time

delays and brightness and can be set through Silvair iOS app.

- Features such as parameter profiles, manual dim control, and real-time feedback from the sensor can speed up configuration and provide custom user control.
- Max Bluetooth range is 200'(60m) line of sight and highly dependent on the integration of fixtures, surrounding environment. It is recommended to conduct testing for range accuracy.
- Input Voltage | Current Consumption: 12-24VDC | 50 mA

#### Installation

- IP20 Waterproof design, low voltage
- PIR detection is 360° coverage pattern and is best suited for areas with a clear line of sight and good air circulation

- Operating temperature range of -20°C to +60°C

- Max mounting Height: 40ft(12m) for high bay, 15ft(4.5m) for low bay
- Available with Magnetic reset (Touch the top part of sensor for 5 seconds)

#### Installation

5-years limited warranty.

#### Listings

- FCC
- UL
- DLC
- Bluetooth
- Declaration ID: D062134

### ORDERING GUIDE

Description	Part Number
Low Voltage 0-10V Fixture-Integrated Bluetooth PIR Sensor	ANT-4D-BLE-SR

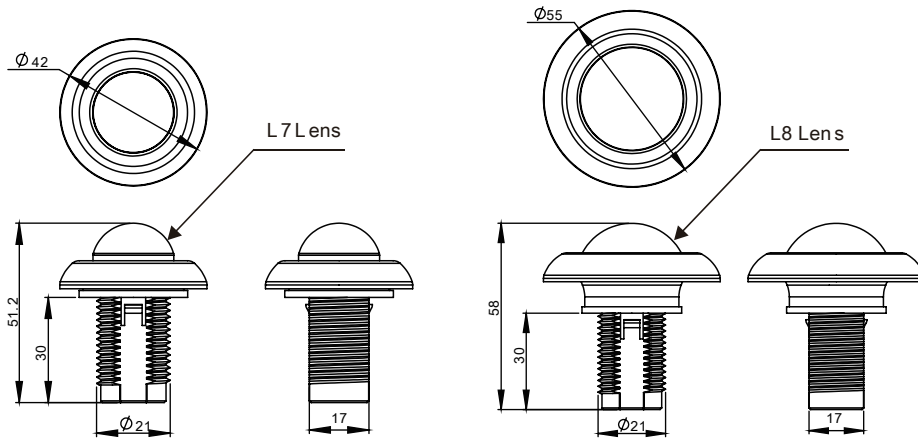
Description  
Low Voltage 0-10V Fixture-Integrated Bluetooth PIR Sensor





Type:

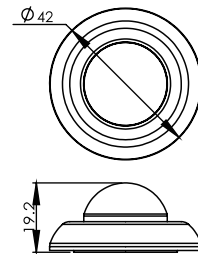
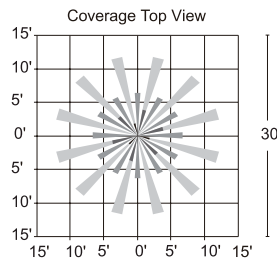
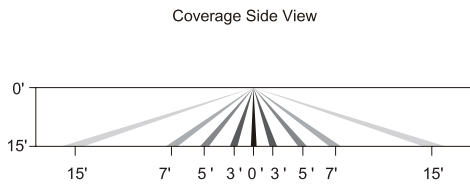
## DIMENSIONS AND APPEARANCE



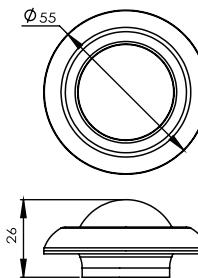
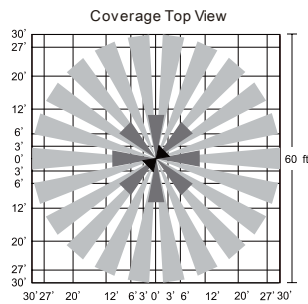
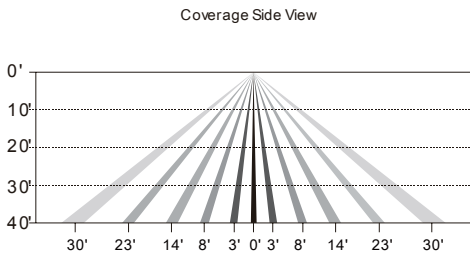
(Punch-out diameter 21.5-22mm)

## SENSOR COVERAGE

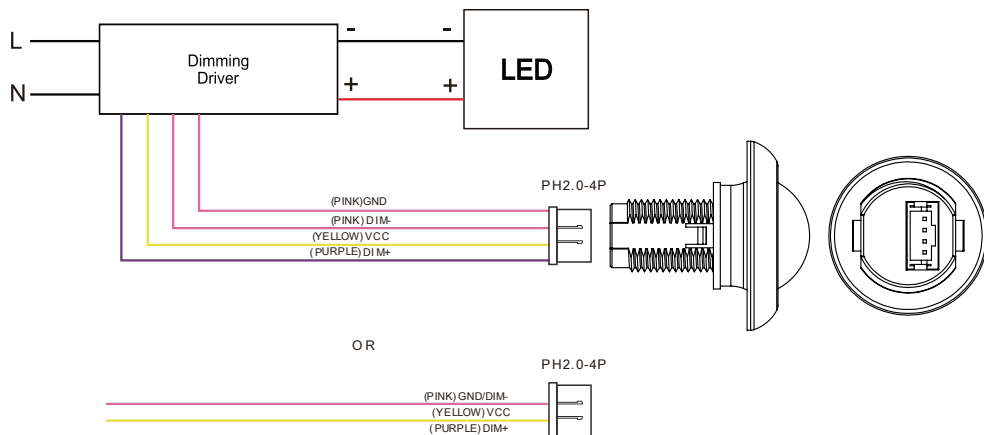
### L7 Lens



### L8 Lens



## WIRING DIAGRAM





Catalog #:  
Prepared By:

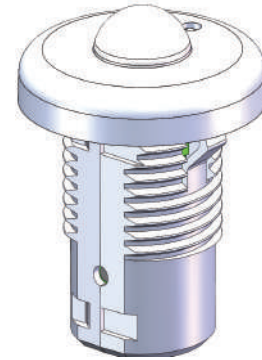
Project:  
Date:

Type:

# Sharkward Bluetooth

Technology Partner SILVAIR

## 12-24V daylight harvesting Bluetooth PIR Sensor



ANT-4E-BLE-SR uses PIR motion detector architecture and passive infrared (PIR) technology for improved detection coverage for high bay and low bay applications. It utilizes a bluetooth low energy (BLE) mesh network. Dim levels and schedules can be set through silvair iOS app.

### FEATURES & SPECIFICATIONS

#### Construction

- ANT-4E-BLE-SR provides multi-level wireless lighting control based on motion and daylight.
- Constructed of white/black PC
- PIR motion sensor can be configured as an occupancy or occupancy and daylight sensor.

#### Electrical

- ANT-4E-BLE-SR utilizes a Bluetooth Low Energy (BLE) mesh network. Dim levels and schedules can be set through Silvair iOS app.
- 360 degree PIR motion sensor can be configured as an occupancy sensor. Occupancy sensor turns lights on automatically when motion is detected and turns lights off automatically after the area is vacated.
- Programmable settings include time

delays and brightness and can be set through Silvair iOS app.

- Features such as parameter profiles, manual dim control, and real-time feedback from the sensor can speed up configuration and provide custom user control.
- Max Bluetooth range is 200'(60m) line of sight and highly dependent on the integration of fixtures, surrounding environment. It is recommended to conduct testing for range accuracy.
- Input Voltage | Current Consumption: 12-24VDC | 50 mA

#### Installation

- IP20 Waterproof design, low voltage
- PIR detection is 360° coverage pattern and is best suited for areas with a clear line of sight and good air circulation

- Operating temperature range of -20°C to +60°C
- Max mounting Height: 15ft(4.5m) .
- Available with Magnetic reset (Touch the top part of sensor for 5 seconds)

#### Installation

5-years limited warranty.

#### Listings

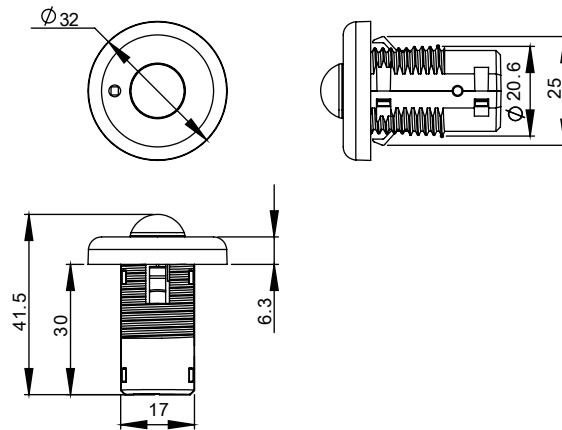
- FCC
- UL
- DLC
- Bluetooth
- Declaration ID: D062134

### ORDERING GUIDE

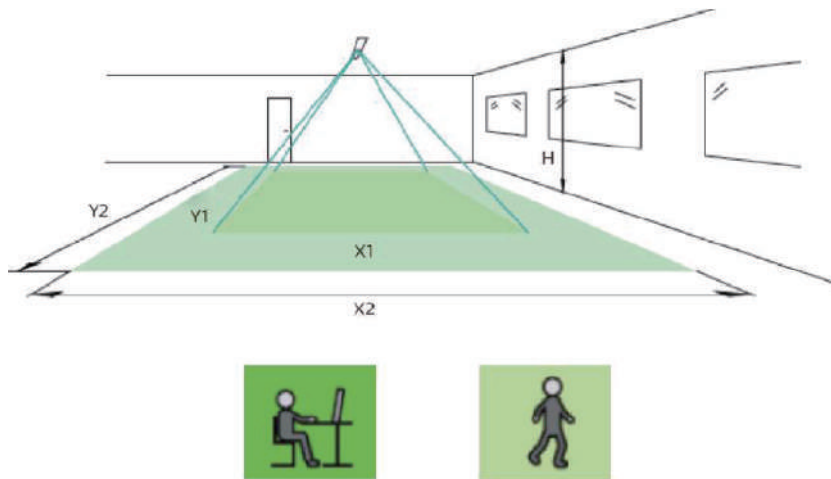
Description	Part Number
12-24V daylight harvesting Bluetooth PIR Sensor	ANT-4E-BLE-SR

Description  
12-24V daylight harvesting Bluetooth PIR Sensor

## DIMENSIONS AND APPEARANCE



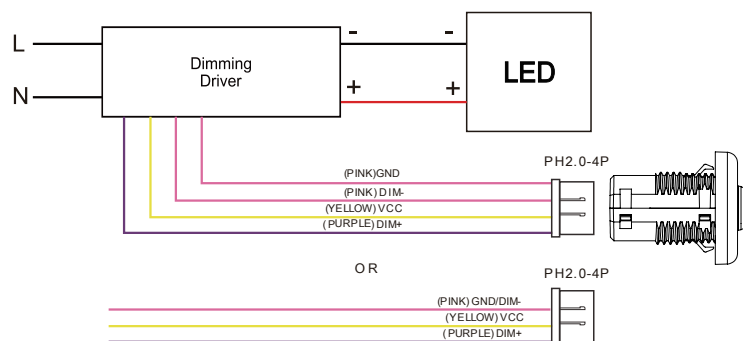
## SENSOR COVERAGE



Height H	Minor Movement		Major Movement	
	Y1	X1	Y2	X2
8'/2.4m	10'/2.9m	9'/2.7m	15'/4.5m	9'/2.9m
10'/3m	12'/3.6m	11'/3.4m	18'/5.4m	12'/3.6m

Note: Longer dimension of detection area (Y1, Y2) is parallel to longer dimension.

## WIRING DIAGRAM





Catalog #:  
Prepared By:

Project:

Date:

Type:

# Sharkward Bluetooth

Technology Partner SILVAIR

## 12-24V 0-10V Plug and Play Bluetooth PIR Sensor



ANT-6-4T-BLE-SR uses PIR Motion Detector Architecture and passive infrared (PIR) technology for improved detection coverage for high bay, and low bay applications. It utilizes a Bluetooth Low Energy (BLE) mesh network. Dim levels and schedules can be set through Silvair iOS app..

### FEATURES & SPECIFICATIONS

#### Construction

- ANT-6-4T-BLE-SR provides multi-level wireless lighting control based on motion and daylight.
- Constructed of white/black PC
- PIR motion sensor can be configured as an occupancy or occupancy and daylight sensor.

#### Electrical

- ANT-6-4T-BLE-SR utilizes a Bluetooth Low Energy (BLE) mesh network. Dim levels and schedules can be set through Silvair iOS app.
- 360 degree PIR motion sensor can be configured as an occupancy sensor. Occupancy sensor turns lights on automatically when motion is detected and turns lights off automatically after the area is vacated.
- Programmable settings include time

delays and brightness and can be set through Silvair iOS app.

- Features such as parameter profiles, manual dim control, and real-time feedback from the sensor can speed up configuration and provide custom user control.
- Max Bluetooth range is 200'(60m) line of sight and highly dependent on the integration of fixtures, surrounding environment. It is recommended to conduct testing for range accuracy.
- Input Voltage | Current Consumption: 12-24 VDC | 50 mA

#### Installation

- Plug in & play design, Low Voltage Connector, match with audio jack
- PIR detection is 360° coverage pattern and is best suited for areas with a clear line of sight and good air circulation

- Operating temperature range of -20°C to +60°C

- Max mounting Height: 40ft(12m)
- Available with Magnetic reset (Touch the top part of sensor for 5 seconds)

#### Installation

5-years limited warranty.

#### Listings

- FCC
- UL
- DLC
- Bluetooth Declaration ID: D062134

### ORDERING GUIDE

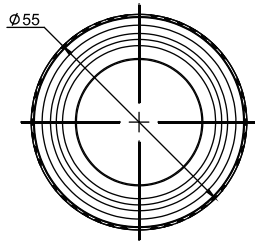
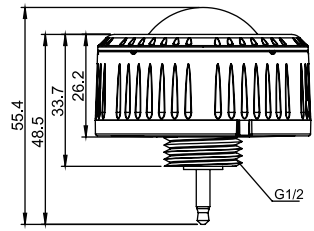
Description	Part Number
12-24V 0-10V Plug and Play Bluetooth PIR Sensor	ANT-6-4T-BLE-SR

Description  
12-24V 0-10V Plug and Play Bluetooth PIR Sensor

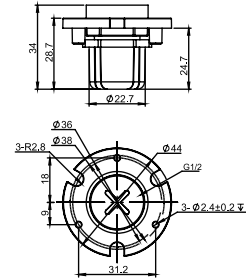


Type:

### DIMENSIONS AND APPEARANCE

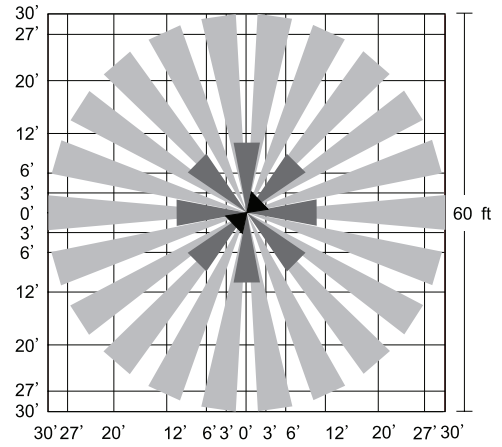
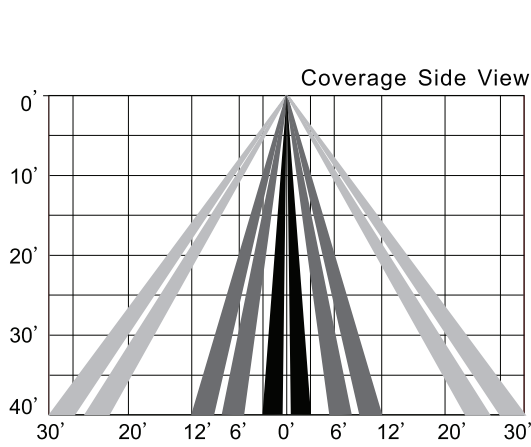


ANT-6-4T-BLE-SR(sensor)

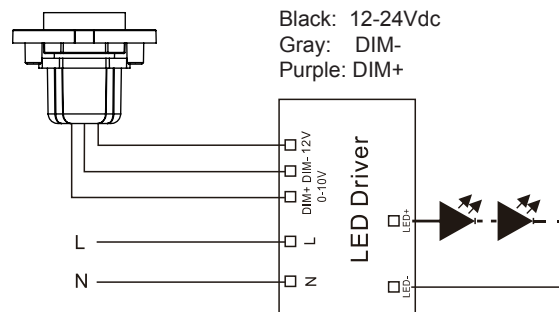


ANT-5-4B-2(receptacle)

### SENSOR COVERAGE



### WIRING DIAGRAM





Catalog #:  
Prepared By:

Project:  
Date:

Type:

# Sharkward Bluetooth

Technology Partner SILVAIR

## 12-24V Fixture-Integrated ZHAGA BOOK 18 Bluetooth PIR Sensor



ANT-6-ZT-BLE-SR uses PIR Motion Detector Architecture and passive infrared (PIR) technology for improved detection coverage for high bay, and low bay applications. It utilizes a Bluetooth Low Energy (BLE) mesh network. Dim levels and schedules can be set through Silvair iOS app..

### FEATURES & SPECIFICATIONS

#### Construction

- ANT-6-ZT-BLE-SR provides multi-level wireless lighting control based on motion and daylight.
- Constructed of white/black PC
- PIR motion sensor can be configured as an occupancy or occupancy and daylight sensor.

#### Electrical

- ANT-6-Z10-BLE-SR utilizes a Bluetooth Low Energy (BLE) mesh network. Dim levels and schedules can be set through Silvair iOS app.
- 360 degree PIR motion sensor can be configured as an occupancy sensor. Occupancy sensor turns lights on automatically when motion is detected and turns lights off automatically after the area is vacated.
- Programmable settings include time

delays and brightness and can be set through Silvair iOS app.

- Features such as parameter profiles, manual dim control, and real-time feedback from the sensor can speed up configuration and provide custom user control.
- Max Bluetooth range is 200'(60m) line of sight and highly dependent on the integration of fixtures, surrounding environment. It is recommended to conduct testing for range accuracy.
- Input Voltage | Current Consumption: 12-24 VDC | 50 mA

#### Installation

- ZHAGA BOOK 18 appearance design, Low Voltage Connector, match with match with ZHAGA BOOK 18 BASE
- PIR detection is 360° coverage pattern and is best suited for areas with a clear line of sight and good air circulation

- Operating temperature range of -20°C to +60°C

- Max mounting Height: 40ft(12m)
- Available with Magnetic reset (Touch the top part of sensor for 5 seconds)

#### Installation

5-years limited warranty.

#### Listings

- FCC
- UL
- DLC
- Bluetooth Declaration ID: D062134

### ORDERING GUIDE

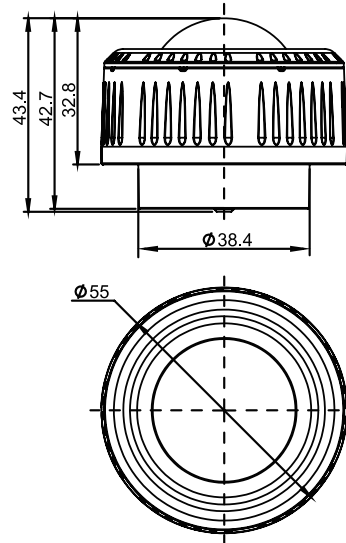
Description	Part Number
12-24V Fixture-Integrated ZHAGA BOOK 18 Bluetooth PIR Sensor	ANT-6-ZT-BLE-SR

Description  
12-24V Fixture-Integrated ZHAGA BOOK 18 Bluetooth PIR Sensor

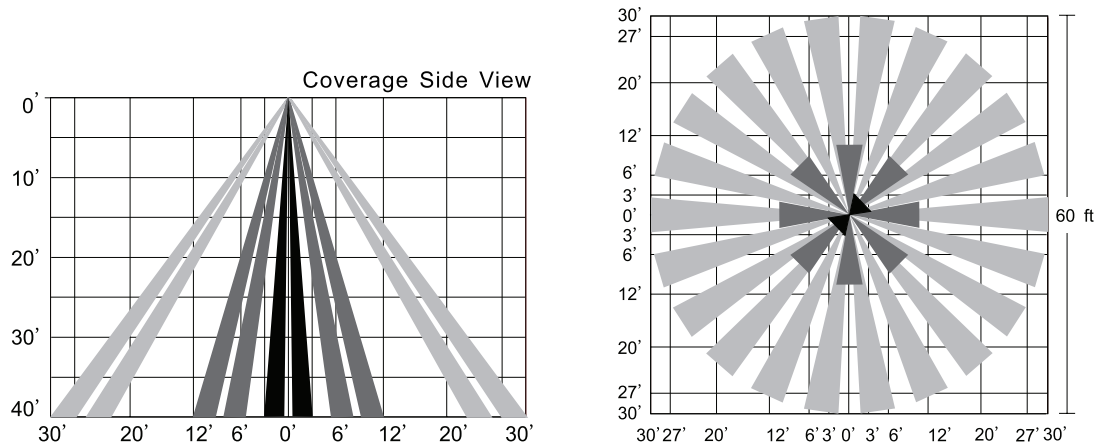


Type:

## DIMENSIONS AND APPEARANCE

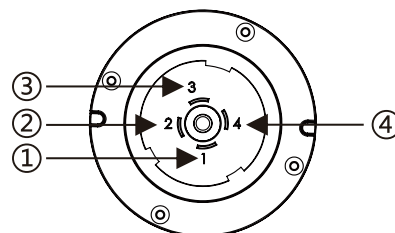


## SENSOR COVERAGE



## WIRING DIAGRAM

- Port 1 : 12-24Vdc
- Port 2 : DIM -
- Port 3 : NC
- Port 4 : DIM +





Catalog #:  
Prepared By:

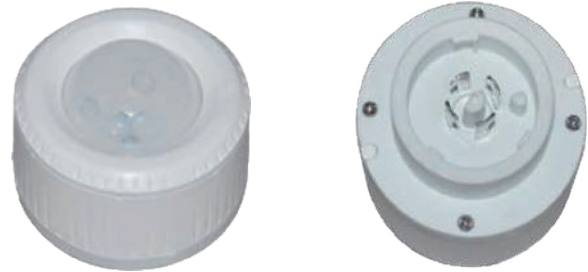
Project:  
Date:

Type:

# Sharkward Bluetooth

Technology Partner SILVAIR

## 12-24V 0-10V Fixture-integrated Bluetooth PIR Sensor



ANT-6-Z10-BLE-SR uses PIR Motion Detector Architecture and passive infrared (PIR) technology for improving detection coverage for high bay and low bay applications. It utilizes a Bluetooth Low Energy (BLE) mesh network. Dim levels and schedules can be set through Silvair iOS app.

### FEATURES & SPECIFICATIONS

#### Construction

- ANT-6-Z10-BLE-SR provides multi-level wireless lighting control based on motion and daylight.
- Constructed of white/black PC
- PIR motion sensor can be configured as an occupancy or occupancy and daylight sensor.

#### Electrical

- ANT-6-Z10-BLE-SR utilizes a Bluetooth Low Energy (BLE) mesh network. Dim levels and schedules can be set through Silvair iOS app.
- 360 degree PIR motion sensor can be configured as an occupancy sensor. Occupancy sensor turns lights on automatically when motion is detected and turns lights off automatically after the area is vacated.
- Programmable settings include time

delays and brightness and can be set through Silvair iOS app.

- Features such as parameter profiles, manual dim control, and real-time feedback from the sensor can speed up configuration and provide custom user control.
- Max Bluetooth range is 200'(60m) line of sight and highly dependent on the integration of fixtures, surrounding environment. It is recommended to conduct testing for range accuracy.
- Input Voltage | Current Consumption: 12-24 VDC | 50 mA

#### Installation

- Z10 design, Low Voltage Connector, match with TE 2343403-1
- PIR detection is 360° coverage pattern and is best suited for areas with a clear line of sight and good air circulation

- Operating temperature range of -20°C to + 60°C

- Max mounting Height: 40ft(12m)
- Available with Magnetic reset (Touch the top part of sensor for 5 seconds)

#### Installation

5-years limited warranty.

#### Listings

- FCC
- UL
- DLC
- Bluetooth Declaration ID: D062134

### ORDERING GUIDE

Description	Part Number
12-24V 0-10V Fixture-Integrated Bluetooth PIR Sensor	ANT-6-Z10-BLE-SR

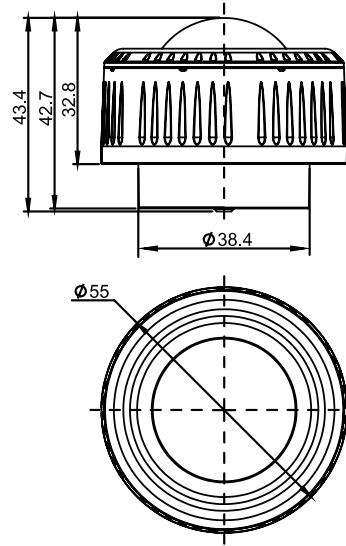
Description  
12-24V 0-10V Fixture-Integrated Bluetooth PIR Sensor



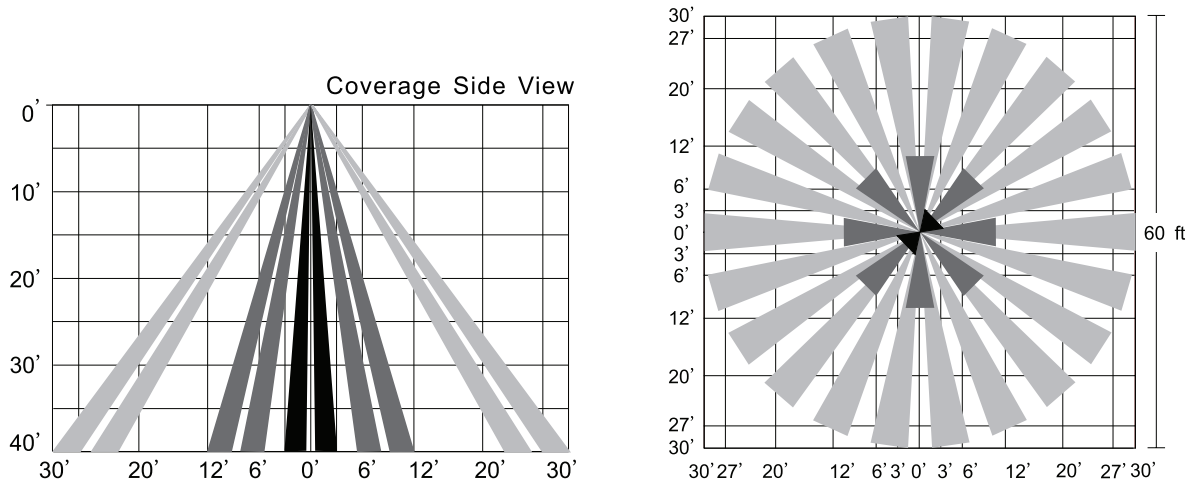


Type:

## DIMENSIONS AND APPEARANCE

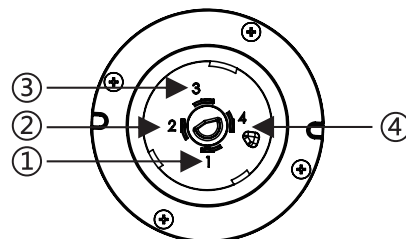


## SENSOR COVERAGE



## WIRING DIAGRAM

- Port 1 : 12-24Vdc
- Port 2 : GND/DIM -
- Port 3 : DIM +
- Port 4 : NC





Catalog #:  
Prepared By:

Project:  
Date:

Type:

# Sharkward Bluetooth

Technology Partner SILVAIR

## 12-24V Bi-level 3PIN Receptacle Bluetooth PIR Sensor



ANT-6-4R-BLE-SR uses PIR Motion Detector Architecture and passive infrared (PIR) technology for improved detection coverage for high bay, and low bay applications. It utilizes a Bluetooth Low Energy (BLE) mesh network. Dim levels and schedules can be set through Silvair iOS app..

### FEATURES & SPECIFICATIONS

#### Construction

- ANT-6-4R-BLE-SR provides multi-level wireless lighting control based on motion and daylight.
- Constructed of white/black PC
- PIR motion sensor can be configured as an occupancy or occupancy and daylight sensor.

#### Electrical

- ANT-6-4R-BLE-SR utilizes a Bluetooth Low Energy (BLE) mesh network. Dim levels and schedules can be set through Silvair iOS app.
- 360 degree PIR motion sensor can be configured as an occupancy sensor. Occupancy sensor turns lights on automatically when motion is detected and turns lights off automatically after the area is vacated.
- Programmable settings include time

delays and brightness and can be set through Silvair iOS app.

- Features such as parameter profiles, manual dim control, and real-time feedback from the sensor can speed up configuration and provide custom user control.
- Max Bluetooth range is 200'(60m) line of sight and highly dependent on the integration of fixtures, surrounding environment. It is recommended to conduct testing for range accuracy.
- Input Voltage | Current Consumption: 12-24 VDC | 50 mA

#### Installation

- 3PIN design, Low Voltage Connector, match with Sharkward ANT-5-4S
- PIR detection is 360° coverage pattern and is best suited for areas with a clear line of sight and good air circulation

- Operating temperature range of -20°C to +60°C

- Max mounting Height: 40ft(12m)
- Available with Magnetic reset (Touch the top part of sensor for 5 seconds)

#### Installation

5-years limited warranty.

#### Listings

- FCC
- UL
- DLC
- Bluetooth Declaration ID: D062134

### ORDERING GUIDE

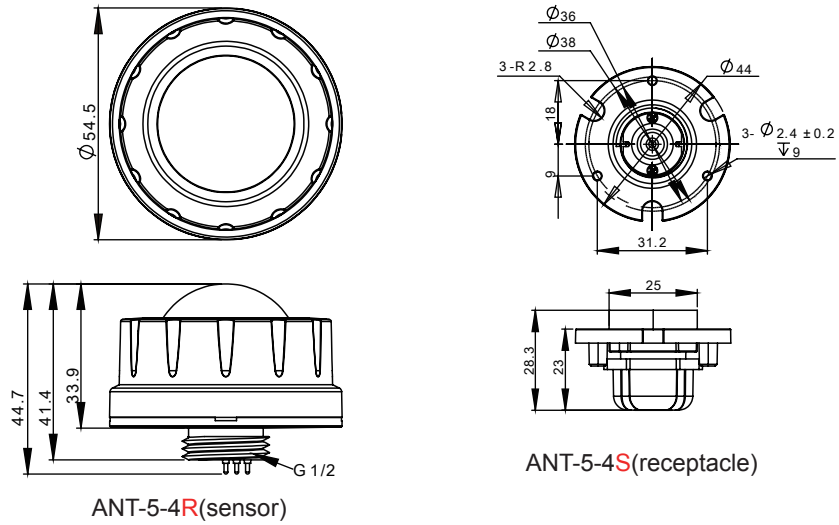
Description	Part Number
12-24V Bi-level 3PIN Receptacle Bluetooth PIR Sensor	ANT-6-4R-BLE-SR

Description  
12-24V Bi-level 3PIN Receptacle Bluetooth PIR Sensor

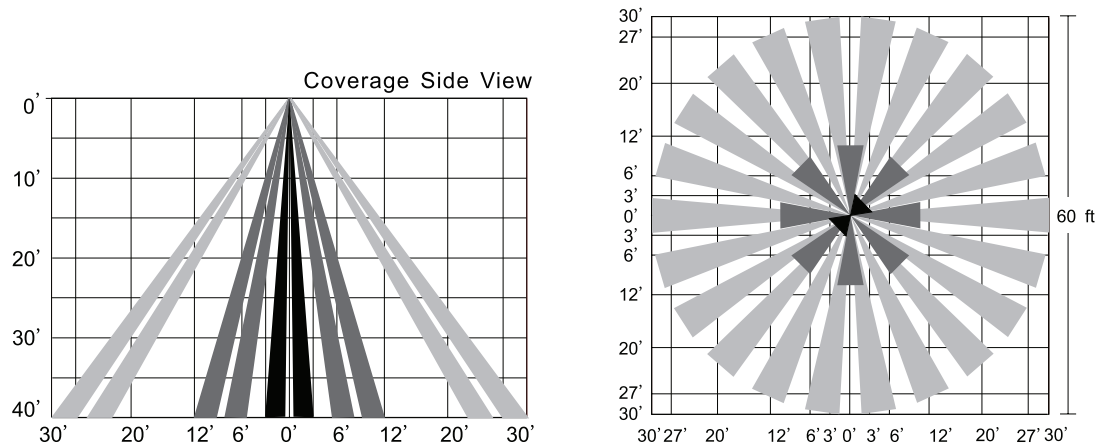


Type:

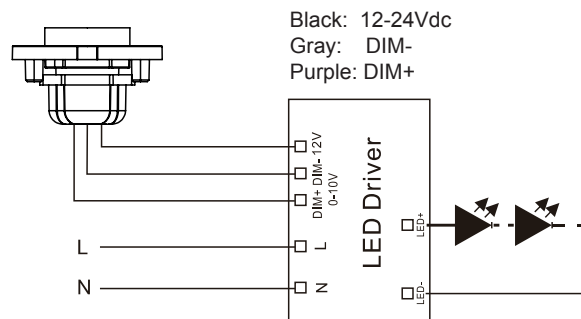
## DIMENSIONS AND APPEARANCE



## SENSOR COVERAGE



## WIRING DIAGRAM





Catalog #:  
Prepared By:

Project:  
Date: Type:

# Sharkward Bluetooth

Technology Partner SILVAIR

## 12-24V 0-10V Fixture-Integrated Bluetooth PIR Sensor



BRI619-BLE-SR uses PIR motion detector architecture and passive infrared (PIR) technology for improved detection coverage for high bay and low bay applications. It utilizes a bluetooth low energy (BLE) mesh network. Dim levels and schedules can be set through silvair iOS app.

### FEATURES & SPECIFICATIONS

#### Construction

- BRI619-BLE-SR provides multi-level wireless lighting control based on motion and daylight.
- Constructed of white/black PC
- PIR motion sensor can be configured as an occupancy or occupancy and daylight sensor.

#### Electrical

- BRI619-BLE-SR utilizes a Bluetooth Low Energy (BLE) mesh network. Dim levels and schedules can be set through Silvair iOS app.
- 360 degree PIR motion sensor can be configured as an occupancy sensor. Occupancy sensor turns lights on automatically when motion is detected and turns lights off automatically after the area is vacated.
- Programmable settings include time

delays and brightness and can be set through Silvair iOS app.

- Features such as parameter profiles, manual dim control, and real-time feedback from the sensor can speed up configuration and provide custom user control.
- Max Bluetooth range is 200'(60m) line of sight and highly dependent on the integration of fixtures, surrounding environment. It is recommended to conduct testing for range accuracy.
- Input Voltage | Current Consumption: 10-14VDC | 50 mA

#### Installation

- IP65 Waterproof design, low voltage
- PIR detection is 360° coverage pattern and is best suited for areas with a clear line of sight and good air circulation

- Operating temperature range of -20°C to +60°C

- Max mounting Height: 40ft(12M)
- Available with Magnetic reset (Touch the top part of sensor for 5 seconds)

#### Installation

5-years limited warranty.

#### Listings

- FCC
- UL
- DLC
- Bluetooth Declaration ID: D062134

### ORDERING GUIDE

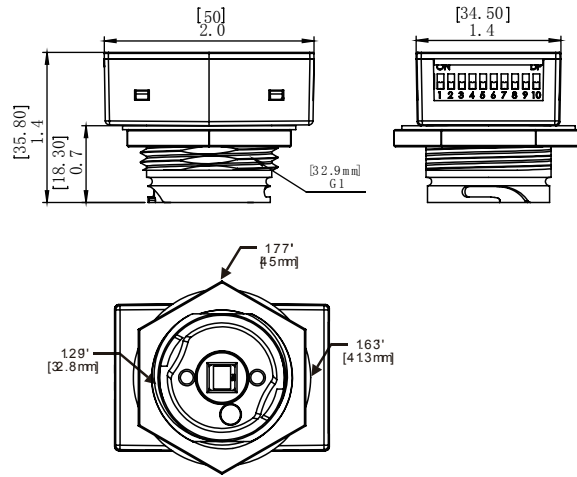
Description	Part Number
12-24V 0-10V Fixture-Integrated Bluetooth PIR Sensor	BRI619-BLE-SR

Description  
12-24V 0-10V Fixture-Integrated Bluetooth PIR Sensor



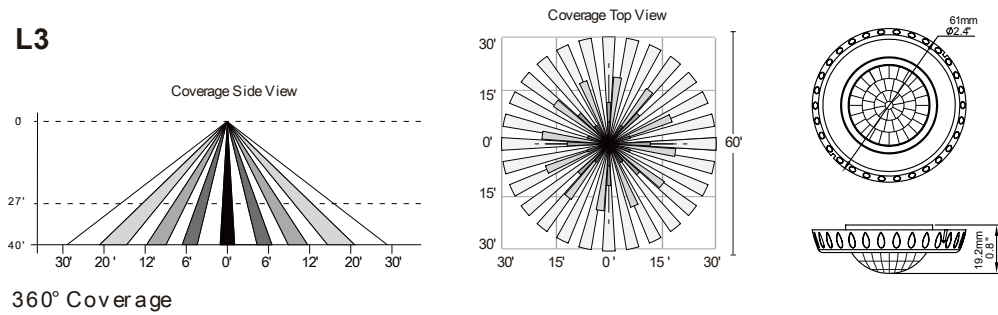
Type:

## DIMENSIONS AND APPEARANCE



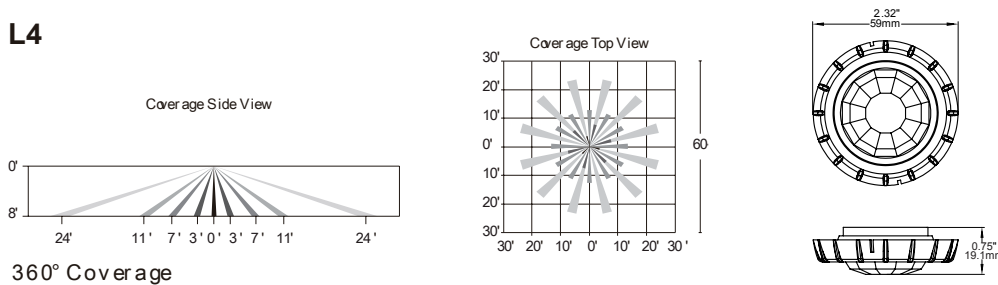
## SENSOR COVERAGE

L3



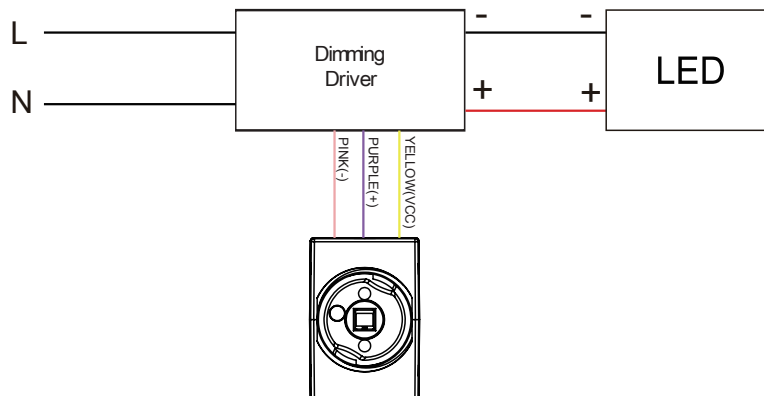
360° Coverage

L4



360° Coverage

## WIRING DIAGRAM





Catalog #:  
Prepared By:

Project:  
Date: Type:

# Sharkward Bluetooth

Technology Partner SILVAIR

## 120-277V 0-10V Side Mounted Bluetooth PIR Sensor



BRI819P-B-D-BLE-SR uses PIR motion detector architecture and passive infrared (PIR) technology for improved detection coverage for high bay and low bay applications. It utilizes a bluetooth low energy (BLE) mesh network. Dim levels and schedules can be set through Silvair iOS app.

### FEATURES & SPECIFICATIONS

#### Construction

- BRI819P-B-D-BLE-SR provides multi-level wireless lighting control based on motion and daylight.
- Constructed of white/black PC
- PIR motion sensor can be configured as an occupancy or occupancy and daylight sensor.

#### Electrical

- BRI819P-B-D-BLE-SR utilizes a Bluetooth Low Energy (BLE) mesh network. Dim levels and schedules can be set through Silvair iOS app.
- 360 degree PIR motion sensor can be configured as an occupancy sensor. Occupancy sensor turns lights on automatically when motion is detected and turns lights off automatically after the area is vacated.
- Programmable settings include time

delays and brightness and can be set through Silvair iOS app.

- Features such as parameter profiles, manual dim control, and real-time feedback from the sensor can speed up configuration and provide custom user control.
- Max Bluetooth range is 200'(60m) line of sight and highly dependent on the integration of fixtures, surrounding environment. It is recommended to conduct testing for range accuracy.
- Input Voltage | Current Consumption: 120-277 VAC | 5A

#### Installation

- 1/2" knock out, side mounted
- PIR detection is 360° coverage pattern and is best suited for areas with a clear line of sight and good air circulation

- Operating temperature range of -20°C to +60°C
- Max mounting Height: 40ft(12m) for high bay, 25ft(7.5m) for low bay
- Available with Magnetic reset (Touch the top part of sensor for 5 seconds)

#### Installation

5-years limited warranty.

#### Listings

- FCC
- UL
- DLC
- Bluetooth Declaration ID: D062134

### ORDERING GUIDE

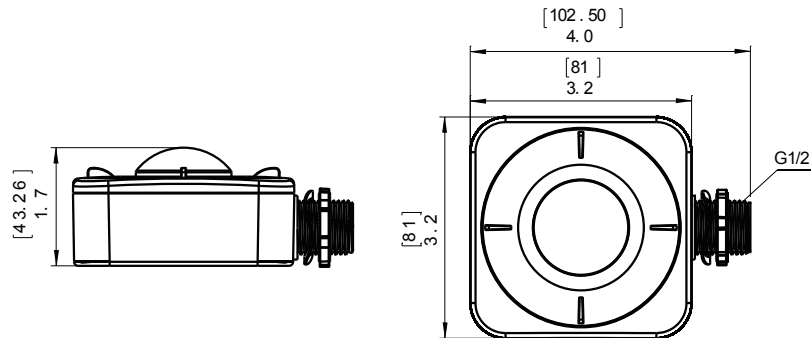
Description	Part Number
120-277V 0-10V Side Mounted Bluetooth PIR Sensor	BRI819P-B-D-BLE-SR

Description  
120-277V 0-10V Side Mounted Bluetooth PIR Sensor



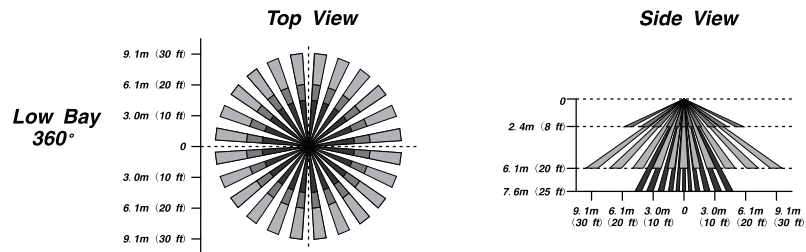
Type:

## DIMENSIONS AND APPEARANCE

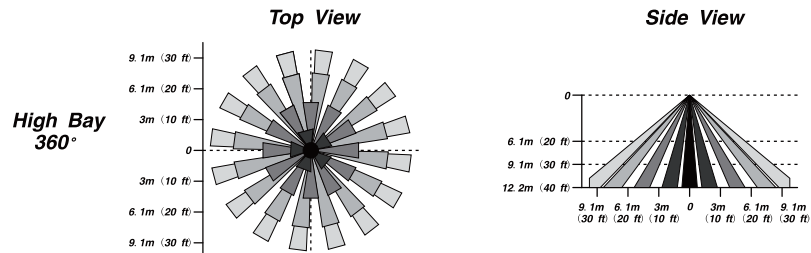


## SENSOR COVERAGE

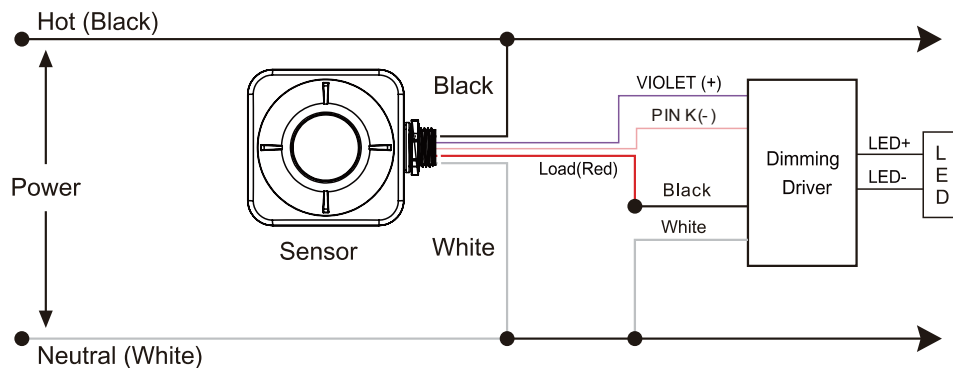
### L1 Len



### L2 Len



## WIRING DIAGRAM





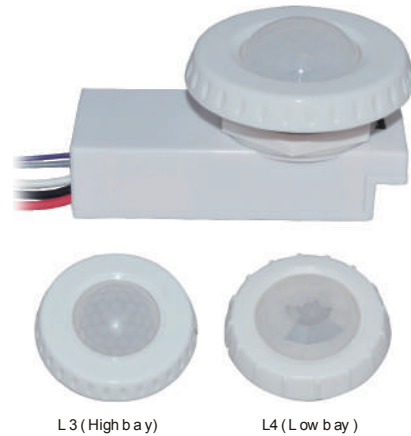
Catalog #:  
Prepared By:

Project:  
Date: Type:

# Sharkward Bluetooth

Technology Partner SILVAIR

## 120-277V 0-10V Fixture-Integrated Bluetooth PIR Sensor



BRI823-B-D-BLE-SR uses PIR motion detector architecture and passive infrared (PIR) technology for improved detection coverage for high bay and low bay applications. It utilizes a bluetooth low energy (BLE) mesh network. Dim levels and schedules can be set through silvair iOS app.

### FEATURES & SPECIFICATIONS

#### Construction

- BRI823-B-D-BLE-SR provides multi-level wireless lighting control based on motion and daylight.
- Constructed of white/black PC
- PIR motion sensor can be configured as an occupancy or occupancy and daylight sensor.

#### Electrical

- BRI823-B-D-BLE-SR utilizes a Bluetooth Low Energy (BLE) mesh network. Dim levels and schedules can be set through Silvair iOS app.
- 360 degree PIR motion sensor can be configured as an occupancy sensor. Occupancy sensor turns lights on automatically when motion is detected and turns lights off automatically after the area is vacated.
- Programmable settings include time

delays and brightness and can be set through Silvair iOS app.

- Features such as parameter profiles, manual dim control, and real-time feedback from the sensor can speed up configuration and provide custom user control.
- Max Bluetooth range is 200'(60m) line of sight and highly dependent on the integration of fixtures, surrounding environment. It is recommended to conduct testing for range accuracy.
- Input Voltage | Current Consumption: 120-277 VAC | 5A

#### Installation

- IP65 Waterproof design, low voltage
- PIR detection is 360° coverage pattern and is best suited for areas with a clear line of sight and good air circulation

- Operating temperature range of -20°C to +60°C
- Max mounting Height: 40ft(12m) for high bay, 25ft(7.5m) for low bay
- Available with Magnetic reset (Touch the top part of sensor for 5 seconds)

#### Installation

5-years limited warranty.

#### Listings

- FCC
- UL
- DLC
- Bluetooth Declaration ID: D062134

### ORDERING GUIDE

Description	Part Number
120-277V 0-10V Fixture-Integrated Bluetooth PIR Sensor	BRI823-B-D-BLE-SR

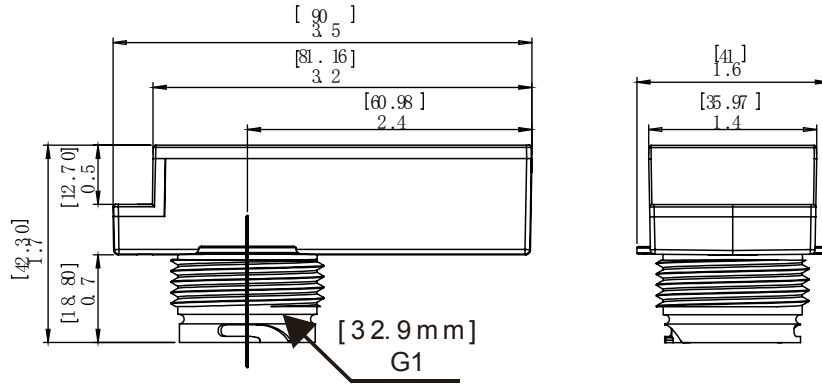
Description  
120-277V 0-10V Fixture-Integrated Bluetooth PIR Sensor





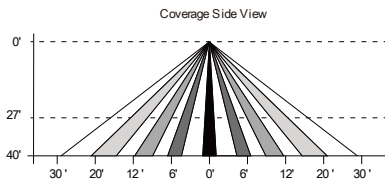
Type:

## DIMENSIONS AND APPEARANCE

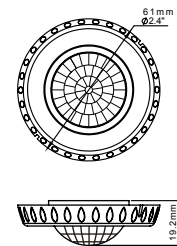
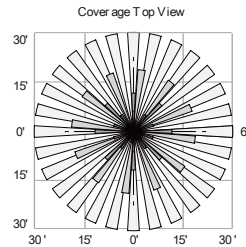


## SENSOR COVERAGE

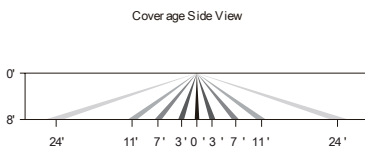
L3



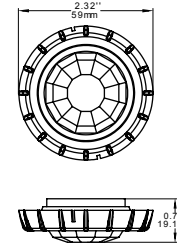
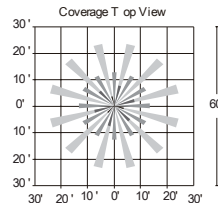
360° Coverage



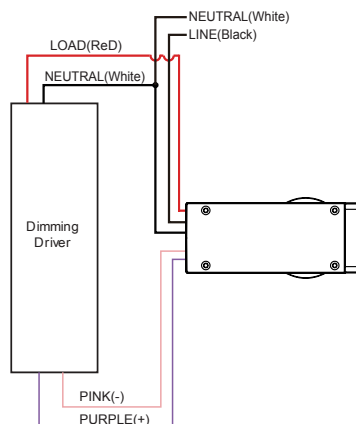
L4



360° Coverage



## WIRING DIAGRAM





Catalog #:  
Prepared By:

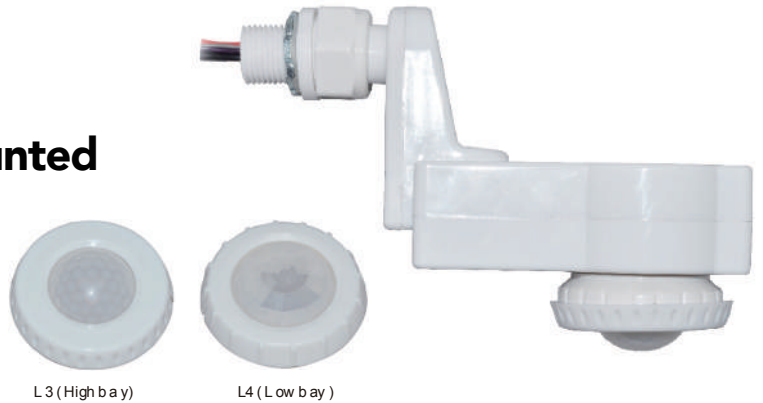
Project:  
Date:

Type:

# Sharkward Bluetooth

Technology Partner SILVAIR

## 120-277V "Z" Design Side mounted Bluetooth PIR Sensor



BRI823-X-D-BLE-SR uses PIR motion detector architecture and passive infrared (PIR) technology for improved detection coverage for high bay and low bay applications. It utilizes a bluetooth low energy (BLE) mesh network. Dim levels and schedules can be set through Silvair iOS app.

### FEATURES & SPECIFICATIONS

#### Construction

- BRI823-X-D-BLE-SR provides multi-level wireless lighting control based on motion and daylight.
- Constructed of white/black/brown PC
- PIR motion sensor can be configured as an occupancy or occupancy and daylight sensor.

#### Electrical

- BRI823-X-D-BLE-SR utilizes a Bluetooth Low Energy (BLE) mesh network. Dim levels and schedules can be set through Silvair iOS app.
- 360 degree PIR motion sensor can be configured as an occupancy sensor. Occupancy sensor turns lights on automatically when motion is detected and turns lights off automatically after the area is vacated.
- Programmable settings include time

delays and brightness and can be set through Silvair iOS app.

- Features such as parameter profiles, manual dim control, and real-time feedback from the sensor can speed up configuration and provide custom user control.
- Max Bluetooth range is 200'(60m) line of sight and highly dependent on the integration of fixtures, surrounding environment. It is recommended to conduct testing for range accuracy.
- Input Voltage | Current Consumption: 120-277 VAC | 5A

#### Installation

- 1/2" knock out, side mounted, "Z" design
- PIR detection is 360° coverage pattern and is best suited for areas with a clear line of sight and good air circulation

- Operating temperature range of -20°C to +60°C
- Max mounting Height: 40ft(12m) for high bay, 25ft(7.5m) for low bay
- Available with Magnetic reset (Touch the top part of sensor for 5 seconds)

#### Installation

5-years limited warranty.

#### Listings

- FCC
- UL
- DLC
- Bluetooth Declaration ID: D062134

### ORDERING GUIDE

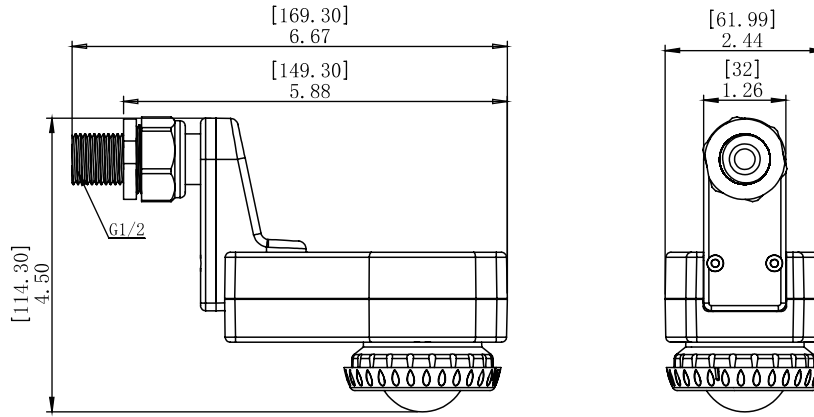
Description	Part Number
120-277V "Z" Design Side mounted Bluetooth PIR Sensor	BRI823-X-D-BLE-SR

Description  
120-277V "Z" Design Side mounted Bluetooth PIR Sensor



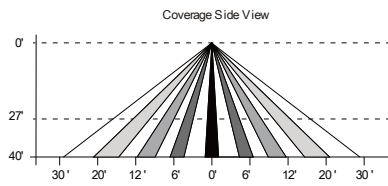
Type:

## DIMENSIONS AND APPEARANCE

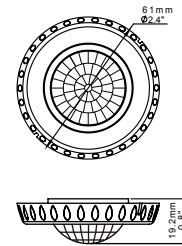
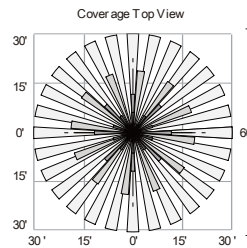


## SENSOR COVERAGE

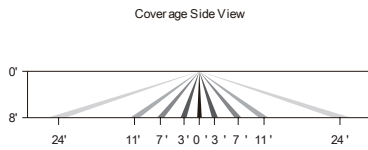
**L3**



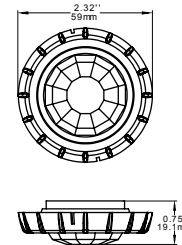
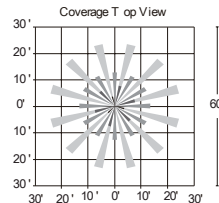
360° Coverage



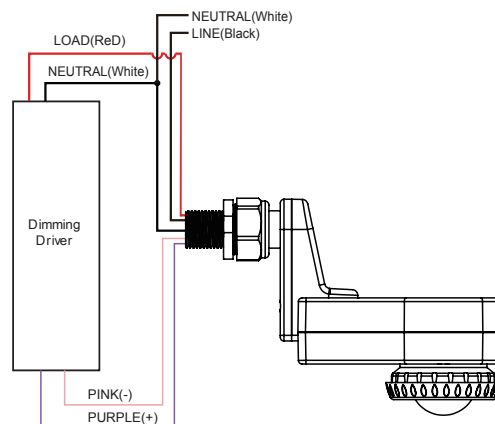
**L4**



360° Coverage



## WIRING DIAGRAM





Catalog #:  
Prepared By:

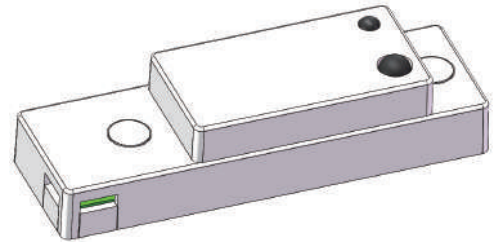
Date: Project:

Type:

# Sharkward Bluetooth

Technology Partner SILVAIR

## 12V Bi-LEVEL Bluetooth MICROWAVE Sensor with magnets



ANT-7D-BLE-SR uses microwave motion detector architecture technology for improved detection coverage for high bay applications. It utilizes a bluetooth low energy (BLE) mesh network. Dim levels and schedules can be set through silvair iOS app.

### FEATURES & SPECIFICATIONS

#### Construction

- ANT-7D-BLE-SR provides multi-level wireless lighting control based on motion and daylight.
- Constructed of white/black PC
- Microwave motion sensor can be configured as an occupancy or occupancy and daylight sensor.

#### Electrical

- ANT-7D-BLE-SR utilizes a Bluetooth Low Energy (BLE) mesh network. Dim levels and schedules can be set through Silvair iOS app.
- 360 degree Microwave motion sensor can be configured as an occupancy sensor. Occupancy sensor turns lights on automatically when motion is detected and turns lights off automatically after the area is vacated.
- Programmable settings include time

delays and brightness and can be set through Silvair iOS app.

- Features such as parameter profiles, manual dim control, and real-time feedback from the sensor can speed up configuration and provide custom user control.
- Max Bluetooth range is 200'(60m) line of sight and highly dependent on the integration of fixtures, surrounding environment. It is recommended to conduct testing for range accuracy.
- Input Voltage | Current Consumption: 12VDC | 50 mA

#### Installation

- Microwave sensor with Magnests degisn, no need to use screws to fix
- Microwave detection is 360° coverage pattern and is best suited for areas with a clear line of sight and good air circulation

- Operating temperature range of -40°C to +70°C

- Max mounting Height: 19.68ft(6M)
- Available with Magnetic reset (Touch the top part of sensor for 5 seconds)

#### Installation

5-years limited warranty.

#### Listings

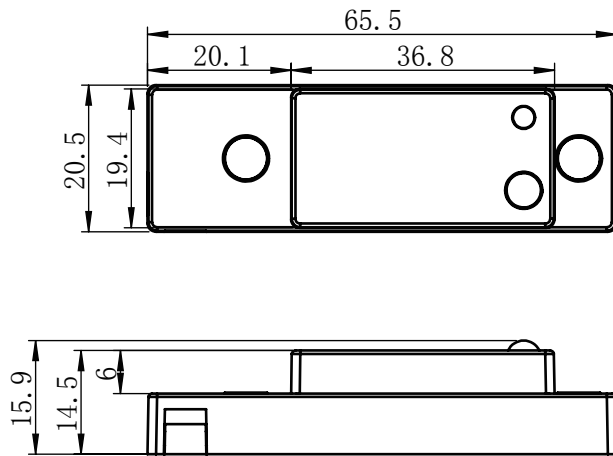
- FCC
- UL
- DLC
- Bluetooth Declaration ID: D062134

### ORDERING GUIDE

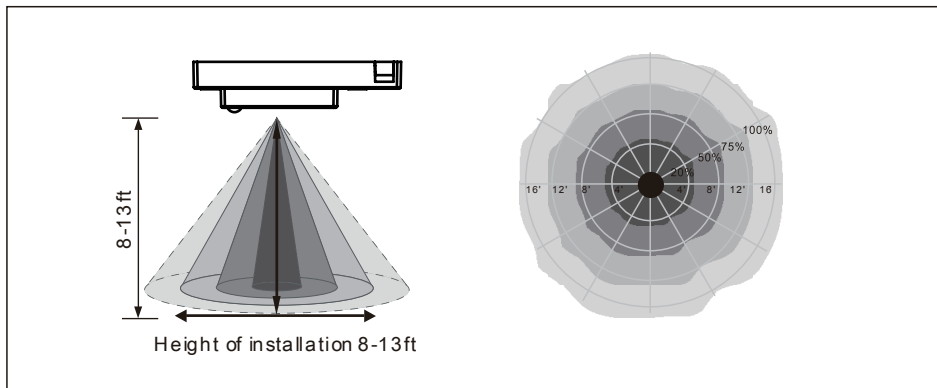
Description	Part Number
12V Bi-LEVEL Bluetooth MICROWAVE Sensor with magnets	ANT-7D-BLE-SR

Description  
12V Bi-LEVEL Bluetooth MICROWAVE Sensor with magnets

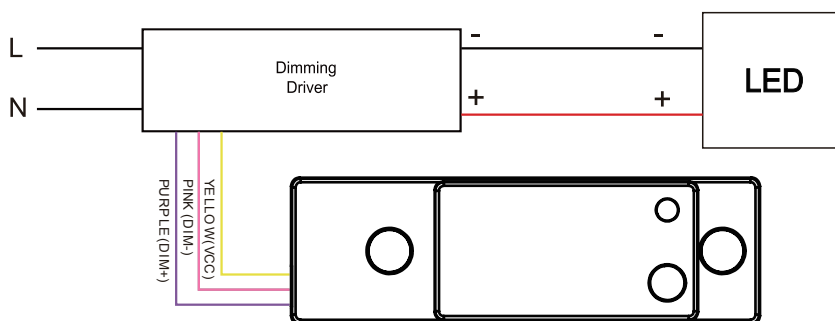
### DIMENSIONS AND APPEARANCE



### SENSOR COVERAGE



### WIRING DIAGRAM





Catalog #:  
Prepared By:

Project:  
Date:

Type:

# Sharkward Bluetooth

Technology Partner SILVAIR

## 12-24V 0-10V Fixture-Integrated Bluetooth Microwave Sensor



ANT-5-4T-BLE-SR uses Microwave Motion Detector Architecture technology for improved detection coverage for high bay applications. It utilizes a Bluetooth Low Energy (BLE) mesh network. Dim levels and schedules can be set through Silvair iOS app.

### FEATURES & SPECIFICATIONS

#### Construction

- ANT-5-4T-BLE-SR provides multi-level wireless lighting control based on motion and daylight.
- Constructed of white/black PC
- Microwave motion sensor can be configured as an occupancy or occupancy and daylight sensor.

#### Electrical

- ANT-5-4T-BLE-SR utilizes a Bluetooth Low Energy (BLE) mesh network. Dim levels and schedules can be set through Silvair iOS app.
- 360 degree Microwave motion sensor can be configured as an occupancy sensor. Occupancy sensor turns lights on automatically when motion is detected and turns lights off automatically after the area is vacated.
- Programmable settings include time

delays and brightness and can be set through Silvair iOS app.

- Features such as parameter profiles, manual dim control, and real-time feedback from the sensor can speed up configuration and provide custom user control.
- Max Bluetooth range is 200'(60m) line of sight and highly dependent on the integration of fixtures, surrounding environment. It is recommended to conduct testing for range accuracy.
- Input Voltage | Current Consumption: 12-24 VDC | 50 mA

#### Installation

- Plug in & play design, Low Voltage Connector, match with audio jack
- Microwave detection is 360° coverage pattern and is best suited for areas with a clear line of sight and good air circulation

- Operating temperature range of -40°C to +70°C

- Max mounting Height: 40ft(12m)
- Available with Magnetic reset (Touch the top part of sensor for 5 seconds)

#### Installation

5-years limited warranty.

#### Listings

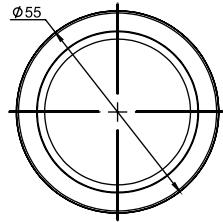
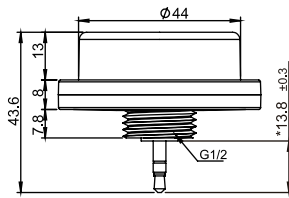
- FCC
- UL
- DLC
- Bluetooth Declaration ID: D062134

### ORDERING GUIDE

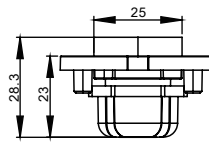
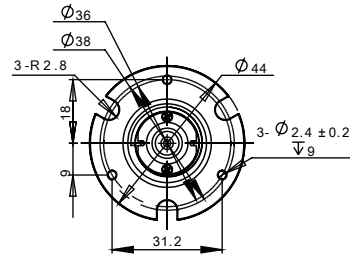
Description	Part Number
12-24V 0-10V Fixture-Integrated Bluetooth Microwave Sensor	ANT-5-4T-BLE-SR

Description  
12-24V 0-10V Fixture-Integrated Bluetooth Microwave Sensor

### DIMENSIONS AND APPEARANCE

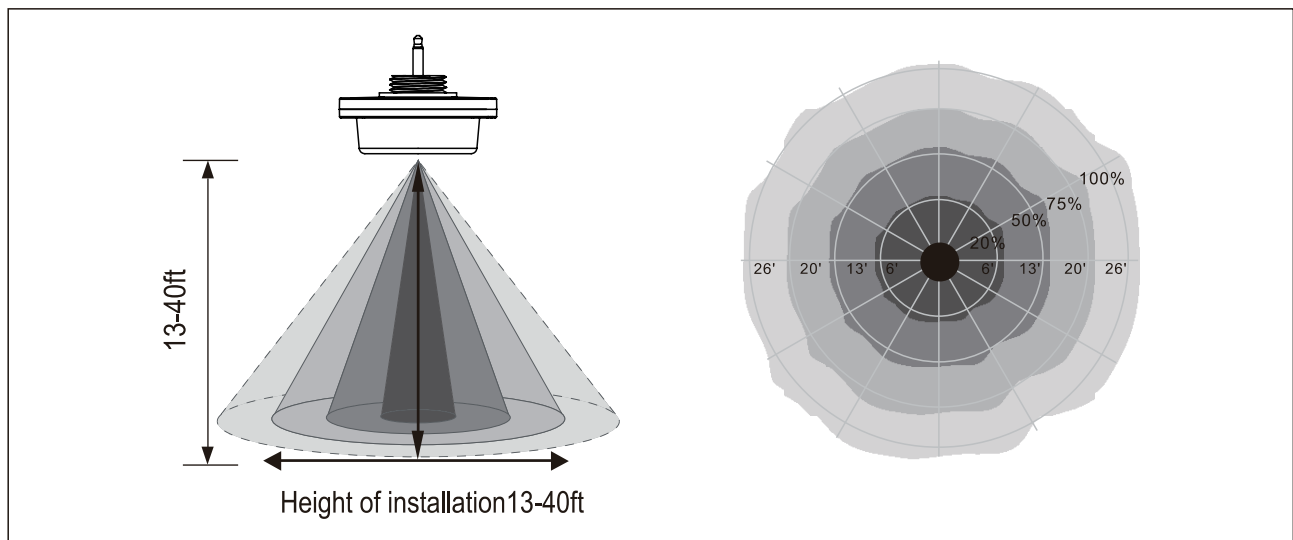


ANT-5-4T-BLE-SR(receptacle)

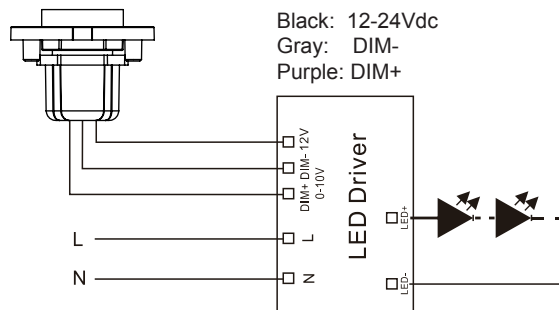


ANT-5-4B-2(receptacle)

### SENSOR COVERAGE



### WIRING DIAGRAM





Catalog #:  
Prepared By:

Project:  
Date:

Type:

# Sharkward Bluetooth

Technology Partner SILVAIR

## 12-24V ZHAGA BOOK 18 Bluetooth Microwave Sensor



ANT-5-ZT-BLE-SR uses Microwave Motion Detector Architecture technology for improved detection coverage for high bay applications. It utilizes a Bluetooth Low Energy (BLE) mesh network. Dim levels and schedules can be set through Silvair iOS app.

### FEATURES & SPECIFICATIONS

#### Construction

- ANT-5-ZT-BLE-SR provides multi-level wireless lighting control based on motion and daylight.
- Constructed of white/black PC
- Microwave motion sensor can be configured as an occupancy or occupancy and daylight sensor.

#### Electrical

- ANT-5-ZT-BLE-SR utilizes a Bluetooth Low Energy (BLE) mesh network. Dim levels and schedules can be set through Silvair iOS app.
- 360 degree Microwave motion sensor can be configured as an occupancy sensor. Occupancy sensor turns lights on automatically when motion is detected and turns lights off automatically after the area is vacated.
- Programmable settings include time

delays and brightness and can be set through Silvair iOS app.

- Features such as parameter profiles, manual dim control, and real-time feedback from the sensor can speed up configuration and provide custom user control.
- Max Bluetooth range is 200'(60m) line of sight and highly dependent on the integration of fixtures, surrounding environment. It is recommended to conduct testing for range accuracy.
- Input Voltage | Current Consumption: 12-24 VDC | 50 mA

#### Installation

- ZHAGA appearance design, Low Voltage Connector, match with ZHAGA BOOK 18 BASE
- Microwave detection is 360° coverage pattern and is best suited for areas with a clear line of sight and good air circulation

- Operating temperature range of -40°C to +70°C

- Max mounting Height: 40ft(12m)
- Available with Magnetic reset (Touch the top part of sensor for 5 seconds)

#### Installation

5-years limited warranty.

#### Listings

- FCC
- UL
- DLC
- Bluetooth Declaration ID: D062134

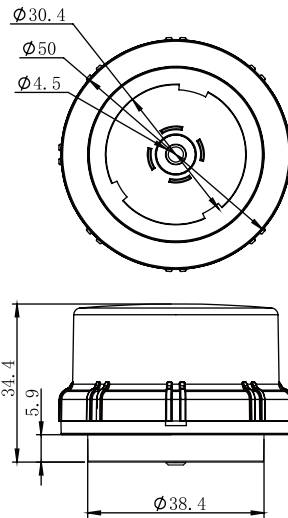
### ORDERING GUIDE

Description	Part Number
12-24V ZHAGA BOOK 18 Bluetooth Microwave Sensor	ANT-5-ZT-BLE-SR

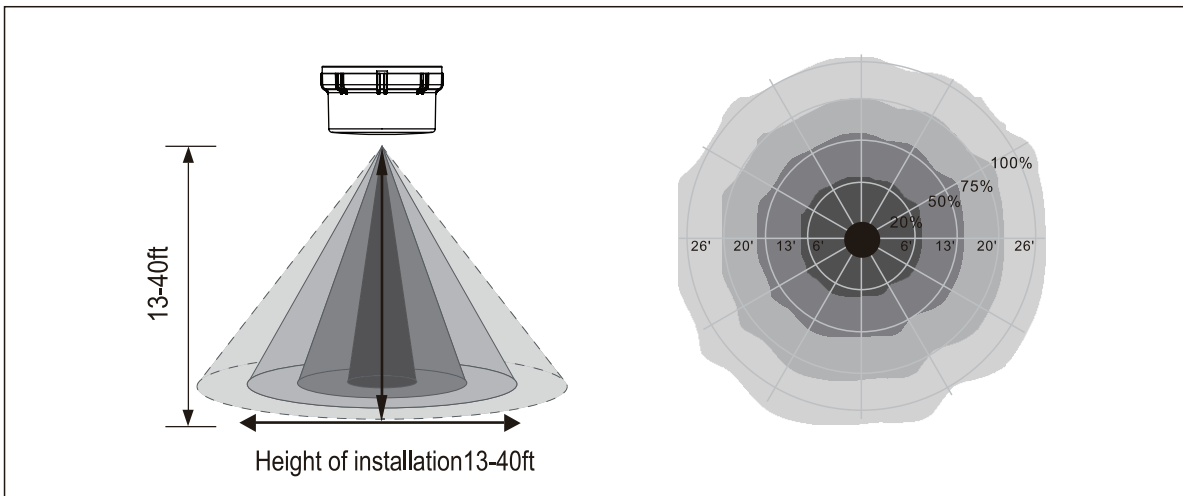
Description  
12-24V ZHAGA BOOK 18 Bluetooth Microwave Sensor



## DIMENSIONS AND APPEARANCE

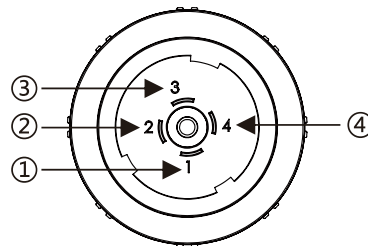


## SENSOR COVERAGE



## WIRING DIAGRAM

- Port 1 : 12-24Vdc
- Port 2 : GND/DIM -
- Port 3 : NC
- Port 4 : DIM +





Catalog #:  
Prepared By:

Project:  
Date:

Type:

# Sharkward Bluetooth

Technology Partner SILVAIR

## 12-24V Z10 Receptacle Bluetooth Microwave Sensor



ANT-5-Z10-BLE-SR uses microwave motion detector Architecture technology for improved detection coverage for high bay applications. It utilizes a bluetooth low energy (BLE) mesh network. Dim levels and schedules can be set through Silvair iOS app.

### FEATURES & SPECIFICATIONS

#### Construction

- ANT-5-Z10-BLE-SR provides multi-level wireless lighting control based on motion and daylight.
- Constructed of white/black PC
- Microwave motion sensor can be configured as an occupancy or occupancy and daylight sensor.

#### Electrical

- ANT-5-Z10-BLE-SR utilizes a Bluetooth Low Energy (BLE) mesh network. Dim levels and schedules can be set through Silvair iOS app.
- 360 degree Microwave motion sensor can be configured as an occupancy sensor. Occupancy sensor turns lights on automatically when motion is detected and turns lights off automatically after the area is vacated.
- Programmable settings include time

delays and brightness and can be set through Silvair iOS app.

- Features such as parameter profiles, manual dim control, and real-time feedback from the sensor can speed up configuration and provide custom user control.
- Max Bluetooth range is 200'(60m) line of sight and highly dependent on the integration of fixtures, surrounding environment. It is recommended to conduct testing for range accuracy.
- Input Voltage | Current Consumption: 12-24 VDC | 50 mA

#### Installation

- Z10 design, Low Voltage Connector, match with TE 2343403-1
- Microwave detection is 360° coverage pattern and is best suited for areas with a clear line of sight and good air circulation

- Operating temperature range of -40°C to +70°C

- Max mounting Height: 40ft(12m)
- Available with Magnetic reset (Touch the top part of sensor for 5 seconds)

#### Installation

5-years limited warranty.

#### Listings

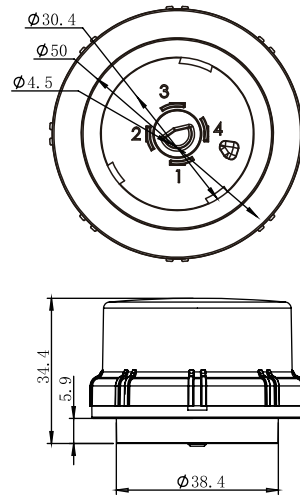
- FCC
- UL
- DLC
- Bluetooth Declaration ID: D062134

### ORDERING GUIDE

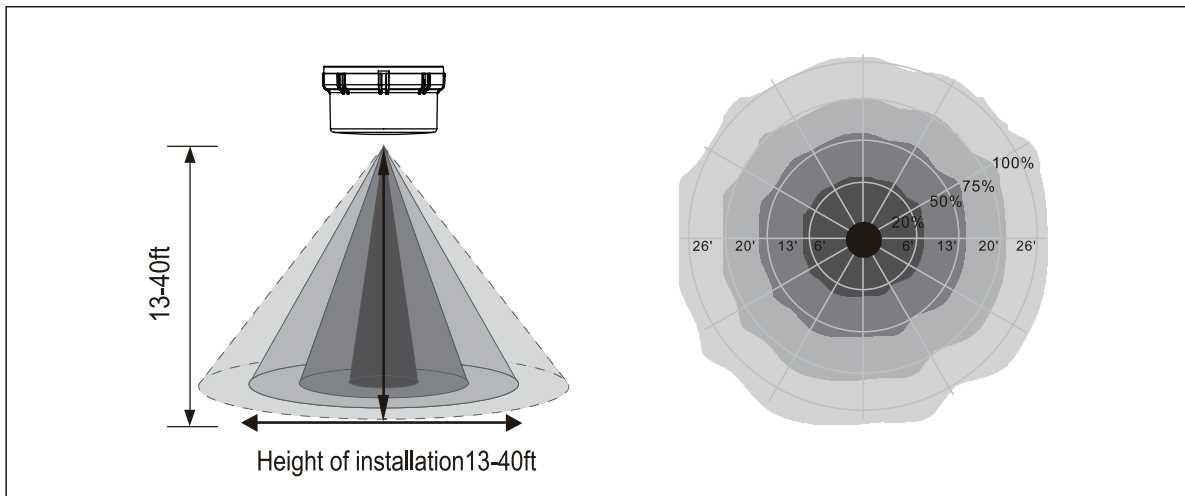
Description	Part Number
12-24V Z10 Receptacle Bluetooth Microwave Sensor	ANT-5-Z10-BLE-SR

Description  
12-24V Z10 Receptacle Bluetooth Microwave Sensor

### DIMENSIONS AND APPEARANCE

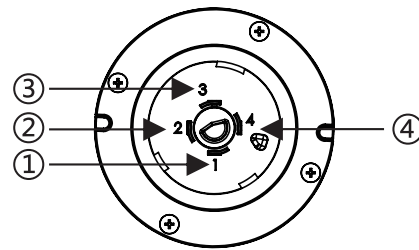


### SENSOR COVERAGE



### WIRING DIAGRAM

- Port 1 : 12-24Vdc
- Port 2 : GND/DIM -
- Port 3 : DIM +
- Port 4 : NC





Catalog #:  
Prepared By:

Project:  
Date:

Type:

# Sharkward Bluetooth

Technology Partner SILVAIR

## 12-24V 3PIN Receptacle Bluetooth Microwave Sensor



ANT-5-4R-BLE-SR uses microwave motion detector architecture technology for improved detection coverage for high bay applications. It utilizes a bluetooth low energy (BLE) mesh network. Dim levels and schedules can be set through Silvair iOS app.

### FEATURES & SPECIFICATIONS

#### Construction

- ANT-5-4R-BLE-SR provides multi-level wireless lighting control based on motion and daylight.
- Constructed of white/black PC
- Microwave motion sensor can be configured as an occupancy or occupancy and daylight sensor.

#### Electrical

- ANT-5-4R-BLE-SR utilizes a Bluetooth Low Energy (BLE) mesh network. Dim levels and schedules can be set through Silvair iOS app.
- 360 degree Microwave motion sensor can be configured as an occupancy sensor. Occupancy sensor turns lights on automatically when motion is detected and turns lights off automatically after the area is vacated.
- Programmable settings include time

delays and brightness and can be set through Silvair iOS app.

- Features such as parameter profiles, manual dim control, and real-time feedback from the sensor can speed up configuration and provide custom user control.
- Max Bluetooth range is 200'(60m) line of sight and highly dependent on the integration of fixtures, surrounding environment. It is recommended to conduct testing for range accuracy.
- Input Voltage | Current Consumption: 12-24 VDC | 50 mA

#### Installation

- 3PIN design, Low Voltage Connector
- Microwave detection is 360° coverage pattern and is best suited for areas with a clear line of sight and good air circulation

- Operating temperature range of -40°C to +70°C

- Max mounting Height: 40ft(12m)
- Available with Magnetic reset (Touch the top part of sensor for 5 seconds)

#### Installation

5-years limited warranty.

#### Listings

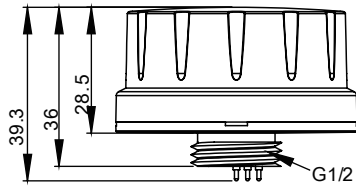
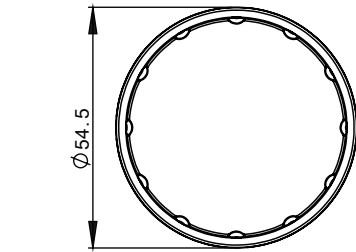
- FCC
- UL
- DLC
- Bluetooth Declaration ID: D062134

### ORDERING GUIDE

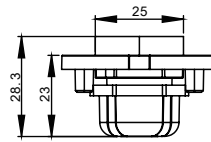
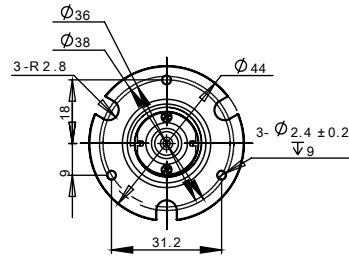
Description	Part Number
12-24V 3PIN Receptacle Bluetooth Microwave Sensor	ANT-5-4R-BLE-SR

Description  
12-24V 3PIN Receptacle Bluetooth Microwave Sensor

### DIMENSIONS AND APPEARANCE

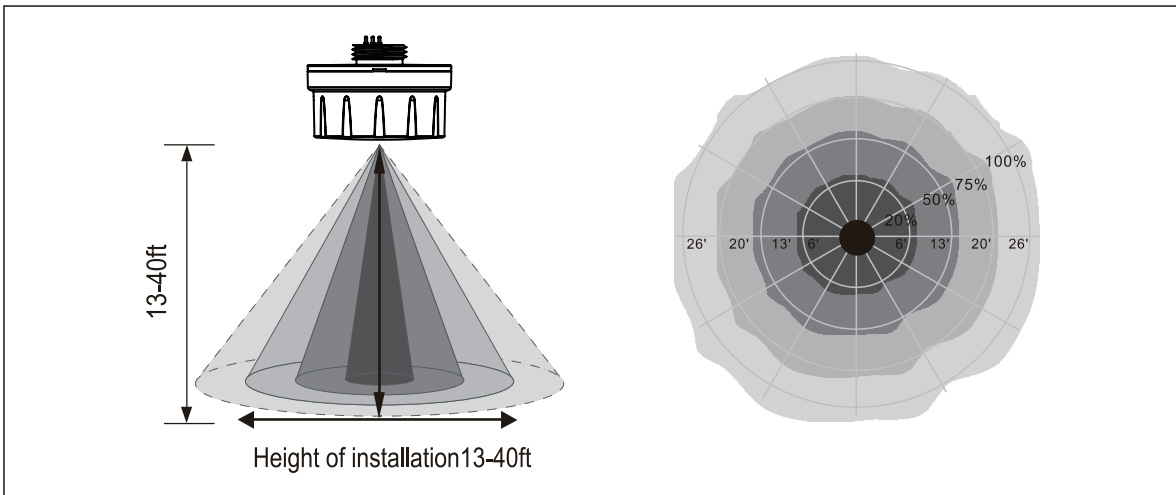


ANT-5-4R(sensor)

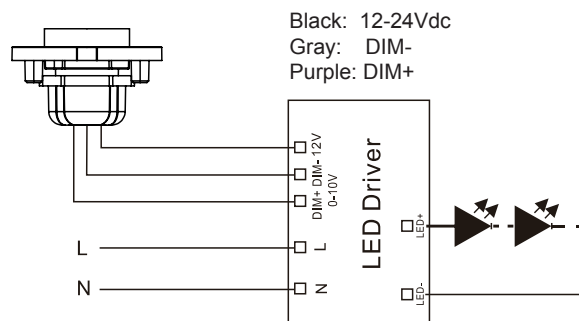


ANT-5-4S(receptacle)

### SENSOR COVERAGE



### WIRING DIAGRAM





Catalog #:  
Prepared By:

Project:  
Date:

Type:

## Sharkward Bluetooth

Technology Partner SILVAIR

### 12-24V Wireless Fixture Controller With Z10 Connector



ANT-5-Z10-FC-BLE-SR allows for 0-10v dimming, high relay control, and is made to fit into a bluetooth mesh system. It utilizes a bluetooth low energy (BLE) mesh network. Dim levels and schedules can be set through silvair iOS app.

#### FEATURES & SPECIFICATIONS

##### Construction

- ANT-5-Z10-FC-BLE-SR is suitable for a variety of indoor and outdoor applications. It comes with Low Voltage Connector, and is IP 65 rated.
- Constructed of white/black PC
- This device can be powered by 12V auxiliary power from dim-to-off LED driver for ease of setup and operation.

##### Electrical

- ANT-5-Z10-FC-BLE-SR utilizes a Bluetooth Low Energy (BLE) mesh network. Dim levels and schedules can be set through Silvair iOS app.
- Programmable settings include time delays and brightness and can be set through Silvair iOS app.

- Features such as parameter profiles, manual dim control, and real-time feedback from the sensor can speed up configuration and provide custom user control.
- Max Bluetooth range is 200'(60m) line of sight and highly dependent on the integration of fixtures, surrounding environment. It is recommended to conduct testing for range accuracy.

- Input Voltage | Current Consumption: 12-24 VDC | 50 mA.

##### Installation

- Z10 design, Low Voltage Connector, match with TE 2343403-1
- Operating temperature range of -40°C to +70°C

- Max mounting Height: 40ft(12m).
- Available with Magnetic reset (Touch the top part of sensor for 5 seconds) 5-years limited warranty.

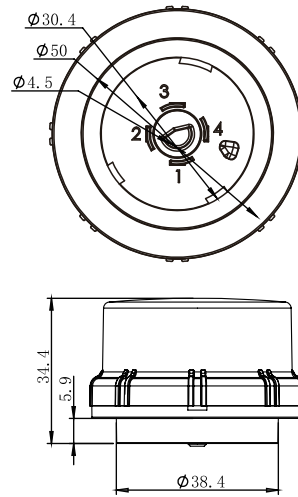
#### ORDERING GUIDE

Description	Part Number
12-24V Wireless Fixture Controller With Z10 Connector	ANT-5-Z10-FC-BLE-SR

Description  
12-24V Wireless Fixture Controller With Z10 Connector

## DIMENSIONS AND APPEARANCE

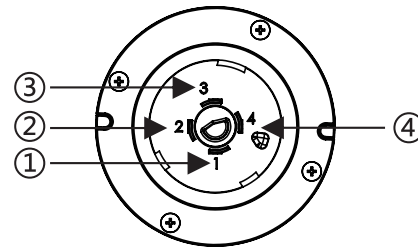
---



## WIRING DIAGRAM

---

- Port 1 : 12-24Vdc
- Port 2 : GND/DIM -
- Port 3 : DIM +
- Port 4 : NC





**Our office:**

#88 Gongmao Road No.3,  
Jishigang Industrial Zone  
Haishu District, Ningbo City  
315171,China

**Contact:**

info@sharkward.com  
www.sharkward.com

