

PROJECT NAME: \_\_\_\_\_

CATALOG #: \_\_\_\_\_

NOTES: \_\_\_\_\_

DATE: \_\_\_\_\_

## BLS-DTD DUSK TO DAWN

The BLS-DTD fixture offer traditional Dusk to Dawn features with softened edges for a versatile look that complements many applications. High-performance, energy efficient solution for local, collector and major roadways, the BLS-DTD series uses breakthrough LEDs and precision-engineered optics to provide exceptional illumination while also saving energy.



### SPECIFICATIONS FEATURES

**Color Temperature Tuning:** Capable of delivering 5000K color temperature

**Construction:** Durable, die-cast aluminum housing silver gray polyester powder-coat finish. Includes Photocell.

**Mounting:** Mounts directly to wall surface or to pole with mounting arm (accessory sold separately)

**CRI:** 70

**Voltage:** 120-277V

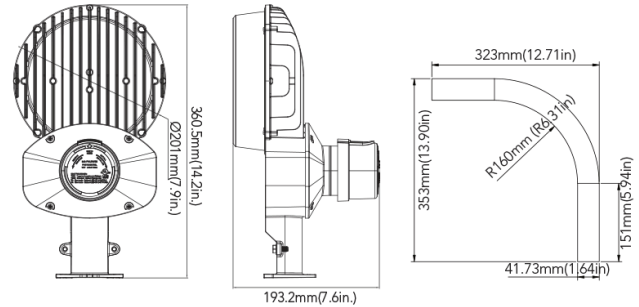
**Power Factor:** ≥ 0.9

**Lifespan:** Estimated 50,000 Hour based on IES LM-80 results and TM-21 calculations.

**Operating Temperature:** -40°C to 40°C (-40°F - + 104°F). Note: Operating with emergency battery temperature range: 10°C to 40°C (+50°F - + 104°F)

**Listings:** cULus, Suitable for Wet location

**Warranty:** 5 year warranty



Weight:

45W: 4.5lb

65W: 4.8lb

90W: 5lb

### ORDERING GUIDE

SAMPLE: BLS-DTD-45-1-50-SG-PC-MA



MODEL	WATTAGE	VOLTAGE	CCT	FINISH	PHOTOCELL	OPTIONS
BLS-DTD	45 45W 65 65W 90 90W	1 120-277V	50 5000K	SG Silver Grey CC Custom Color	PC 120-277V	X - None MA - Mast Arm

## PERFORMANCE DATA

SYSTEM WATTS	VOLTAGE	CRI	LUMENS (5000K)	LPW (5000K)
45W	120-277V	70	6200lm	138 lm/W
65W	120-277V	70	8800lm	135 lm/W
90W	120-277V	70	12200lm	136 lm/W

## ELECTRICAL LOAD

Number Of Drivers	Driver Current (mA)	Nominal Power (W)	INPUT VOLTAGE (V)	CURRENT (Amps)
1	1100	45	120	0.38
		45	208	0.22
		45	240	0.19
		45	277	0.16
1	1630	65	120	0.54
		65	208	0.31
		65	240	0.27
		65	277	0.23
1	2270	90	120	0.75
		90	208	0.43
		90	240	0.38
		90	277	0.32

## PHOTOMETRICS

