



# Midtown Decorative Series

Experience the Difference  
in Performance, Quality,  
and American-Made Excellence.





## Midtown Decorative Series

Looking for a decorative LED lighting solution that's not only stylish but also built to last? Look no further than Lumecon's Midtown Series, made in USA / BABA / BAA compliant LED lights.

- Decorative Post-Tops
- Architectural Post-Tops
- Carriage Post-Tops
- Hang-Straight Teardrop
- Side-Mount Teardrop
- Walkway Bollards

The Midtown Series provides a wide range of customizable options that can improve any streetscape project, including municipal, public works, commercial, and retail, as well as campus lighting requirements. With its classic and traditional shapes, the Midtown Series offers customizable features such as anti-glare optics, tiered wattages, and a variety of color temperatures. Whether you need custom assembly or specific project design, spec, or RFP requirements, the Midtown Series offers numerous options to suit your needs.

Lumecon values the importance of creating high-performance and quality products that support American jobs and manufacturing. We take pride in offering products that are made in the USA, including the Midtown Series. Our team uses top-quality materials and cutting-edge technology to ensure the Midtown Series is durable, reliable, and built to last.



The right combination of globes, cages, fitters, and finials can add significant aesthetic value and contribute to a visually pleasing streetscape.

### GLOBES

We offer a range of one-piece textured blow molded acrylic and polycarbonate globes and two-piece injection molded prismatic acrylic globes. The one-piece textured blow molded globe is designed for LED and is impact modified and UV resistant. The two-piece acrylic lens post top has precise prisms achieved through injection molding, which provide uniform light distribution and efficiency.

### ROOFS & CAGES

Decorative roof tops and stylized cage designs can add significant aesthetic value to streetscape decorative post-tops, enhancing the overall look and feel of the urban landscape. These optional features provide designers with a wide range of creative possibilities to make the lighting fixtures more visually appealing and unique, while also enhancing the streetscape's character and identity.

### FITTERS & FINIALS

A variety of fitter sizes and designs, as well as finial choices, are critical elements that can complete the overall look of a decorative post-top. They offer designers an opportunity to add custom flair and character to their lighting fixtures, making them stand out in any streetscape.

### POLES, ACCESSORIES & BASES

No decorative post-top project is complete without the perfect pole, which not only elevates the look of the fixture but also adds a touch of sophistication to any streetscape. Our steel or aluminum poles come in various sizes and finishes, offering endless possibilities to enhance the overall design aesthetic. Additionally, our collection of decorative base options is sure to impress and inspire creativity in any layout design.

*Pictured:  
LM-AMB*





*Pictured:  
LM-AMB*

## The Lumecon DIFFERENCE

Lumecon's Midtown Decorative Series stands out as the ideal choice for those seeking premium quality and customizable decorative outdoor lighting solutions.

### MATERIALS / FINISHES

When considering the longevity and return on investment of your Decorative Post-Top, the choice of materials and finishes is a crucial factor. Our selection of durable acrylic and polycarbonate globes, which are UV resistant, and vandal-resistant lenses, are designed to withstand the test of time. In addition, our cast aluminum fitters can endure even the harshest climates. By prioritizing durability, corrosion resistance, and reduced maintenance, our materials and finishes offer superior performance and value.

- Globes: Acrylic, Polycarbonate, Prismatic - UV stabilized / UV resistant
- Housing: Cast aluminum fitter housing with textured or 60% gloss polyester powder coat finishes for maximum durability
- Finishes: Gloss, textured, antique, custom color ways suitable for all locations including marine conditions and harsh UV exposures



*Pictured:  
LM-CRT*

### LUMECON LIGHT ENGINES

Lumecon's ETD™ System represents an innovative approach to thermal design, delivering a product that, improves energy efficiency, durability, and high-quality lighting performance.

#### Lumecon's Industry-First Thermal Design, ETD™ System:

- Utilizes a thermally bonded light engine to enhance thermal dissipation and ensure long life.
- Provides maximum thermal dissipation to the fixture exterior to keep it cool and maintain high-quality lighting performance over time.
- Uniformly coats the LED light engine panel with a UV-stabilized acrylic polymer resin that meets MIL and ASTM dielectric standards to protect it from moisture and corrosion.
- Tests each light engine to UL and IPC standards for flammability, moisture resistance, and thermal shock to ensure quality and reliability.



L-RETRO-DG  
Light Engine



L-RETRO-T  
Light Engine

### EMBRACING RESPONSIBLE OUTDOOR LIGHTING

Joining IES and IDA in promoting the five principles for responsible lighting:

- ✓ **Useful:** Purposeful Lighting
- ✓ **Targeted:** Precision in Illumination
- ✓ **Low Light:** Minimizing Brightness
- ✓ **Controlled:** Efficient Usage
- ✓ **Color:** Warm & Natural Tones

By embracing these principles, we are confident that responsible outdoor lighting can coexist harmoniously with the environment and contribute to the well-being of communities. Lumecon is dedicated to providing innovative lighting solutions that align with these principles, helping you create outdoor spaces that are both functional and environmentally friendly.



*Pictured:  
LM-ALX*

### OPTIONS AND ACCESSORIES

To optimize the performance of your custom Decorative Post-Top, we provide a range of accessories such as photo controls and 7-pin receptacles, to name just a few. These customized options can help you achieve energy efficiency and minimize light pollution.

- 7-Pin Receptacle
- House Side Shield
- Twist Lock Photo Control
- Button Eye Photo Control
- Reflectors

#### 7-Pin Receptacle Sample

Turn every Lumecon light into a smart city hub to control lights, densify WiFi and provide data backhaul.



#### Type IV Distribution Sample

Reduces light pollution and protects certain areas by directing light away from unwanted locations.



## The Right Choice

By selecting Lumecon's high-quality post-top decorative fixtures, our customers can create a safe and welcoming outdoor environment while ensuring responsible outdoor lighting practices.



*Pictured:  
LM-AMB*



## DECORATIVE GLOBES

Our globe series have a street-side lighting efficiency three times that of traditional globes, which makes them ideal for creating safer and more shadow-free environments, increase light levels and uniformity while reducing glare. Available in traditional and contemporary globe designs.



LM-AMB  
Page 8



LM-BRP  
Page 10



LM-CRT  
Page 12



LM-LCT  
Page 14



LM-DAV  
Page 16



LM-GRL  
Page 18



LM-GRT  
Page 20



LM-HAM  
Page 22



LM-LPL  
Page 24



LM-LPM  
Page 26



LM-LWW  
Page 28



LM-RYO  
Page 30



LM-WW  
Page 32

## CONTEMPORARY GLOBES



L35 West  
Page 34



LM-CAN  
Page 36



LBOF  
Page 38

## CONTEMPORARY POST-TOP



LM-SEL  
Page 74

## CARRIAGE POST-TOPS

Our traditional carriage post-top fixtures are inspired by classic architectural designs from early America, but incorporate modern LED technology. We offer a wide variety of styles, finishes, and optic packages to choose from, so you can find the perfect fixture to suit your needs.



LM-ADM  
Page 42



LM-ALX  
Page 44



LM-BRD  
Page 46



LM-BRT  
Page 48



LM-CAS  
Page 50



LM-CLM  
Page 52



LM-ELM  
Page 54



LM-FRS  
Page 56



LM-MAJ  
Page 58



LM-MCK  
Page 60



LM-MDN  
Page 62



LM-MON  
Page 64



LM-SCH  
Page 66



LM-TRM  
Page 68

## PENDANTS

Our pendants offer exceptional light uniformity and are perfect where dark-sky friendly applications are a priority.



LMTD-HS  
Page 70



LMTD-SM  
Page 72

## BOLLARDS

Available in a variety of styles from traditional to contemporary, the Bollards are built with die-cast aluminum housing and vandal resistant polycarbonate lens.



BOLLARDS  
Page 74

## POLES, ACCESSORIES & BASES

Complete your lighting project with a wide range of decorative poles, accessories and bases. Including steel, aluminum and smart pole options plus structural, clamshell and hybrid clamshell decorative bases.



POLES AND ACCESSORIES  
Page 76



BASES  
Page 78

## RETROFIT

Enhance existing decorative fixtures with Lumecon's advanced LED technology.



Page 82





Shown with:  
B - Top Globe Color  
BH11 - Fitter

**FEATURES**

- 3000K or 4000K Color Temperatures
- 20kA / 40kV Extreme Surge Suppressor
- 7-Pin Receptacle Ready for use with Wireless Control Systems (optional)
- Refractor and prismatic top feature a historically significant and Euro-styled uniqueness
- Enhanced Thermal Dissipation System provides maximum thermal dissipation
- All LEDs are rated for a minimum of 100,000 hours of continuous operation at ambient temperatures from -40°F/-40°C to 115°F/46°C
- 120-277V or 347-480V Input Voltage
- Two-piece prismatic acrylic globe construction to obscure points of light
- 20 Year Non-Yellowing Globe Warranty
- Slip fits over 2 7/8" and 3" OD tenons on most decorative poles. Requires nominal 3" diameter x 2 7/8" tall tenon
- Cast aluminum fitter housing with textured or 60% gloss polyester powder coat finishes for maximum durability
- CSA 22.2 No. 250 for Wet Locations and BABA / BAA compliant
- 10-Year L70 performance-based warranty



Sample Configurations displaying LM-AMB



BH9/CG21/FN1    BH9/CG22M1/FN1    BH9/CG23M1/FN1    BH9/CG28/FN1    BH10/DS/FN4

**PERFORMANCE DATA**

DISTRIBUTION	WATTAGE	3000K		4000K	
		LUMENS	EFFICACY	LUMENS	EFFICACY
Type III	30	3,887	127	4,140	136
Type III	45	5,803	121	6,148	129
Type III	75	8,952	115	9,495	122
Type III	90	10,426	111	11,065	119
Type V	26	3,499	136	3,647	142
Type V	42	5,928	131	6,170	136
Type V	68	9,226	128	9,636	133
Type V	95	12,279	122	12,763	126

**ORDERING INFORMATION**

LM-AMB Options / Ordering Example: LM-AMB-FL-2-1-30-B-8-C-X-BH13-X-FN1-7P-X-X

REQUIRED							
MODEL	DECORATIVE RING	WATTAGE	VOLTAGE	CCT	TRIM COLOR	GLOBE NECK	GLOBE TOP COLOR
LM-AMB	FL - Contemporary Finless	1 - 30W / Type III	1 - 120-277V	30 - 3000K	B - Black	8 - 8" Neck	C - Clear
		2 - 45W / Type III	2 - 347-480V	40 - 4000K	CC - Custom Color	9 - 9" Neck	B - Black*
	3 - 75W / Type III						CC - Custom Color**
	4 - 90W / Type III						
	5 - 26W / Type V						*Includes Lux Canopy
	6 - 42W / Type V						** RAL number required
	7 - 68W / Type V						
	8 - 95W / Type V						
OPTIONAL							
DECORATIVE STRUTS <sup>1</sup>	FITTER	CAGE <sup>1,2</sup>	FINIAL	PHOTOCELL <sup>1</sup>	CONTROLS READY	SHIELD	LUX CANOPY
DS - Decorative Struts	X - None	CG21	FN1 <sup>6</sup>	PC - Button Eye Style	7P - 7 Pin Receptacle	H - House Shield	P - Perforated
	BH0 - 10.25"	CG22MI	FN2		SH - Shorting Cap		C - Cutoff*
	BH1 - 10"	CG23MI	FN3				*Included on custom color top globe color orders
	BH2 - 6.75"	CG28	FN4 <sup>6</sup>				
	BH3 - 8"						
	BH4 - 6.75"						
	BH5 - 11.25"						
	BH8 - 12"						
	BH9 - 11.5"						
	BH12 - 12"						
	BH13 - 13.4"						
	BH14 - 14.25"						

Notes:  
1. Requires fitter  
2. Cage and Fitter are welded together both must be selected  
3. Use BH0 and BH14 for 9" neck Globes  
4. BH13 is standard fitter, not compatible with Decorative Struts  
5. BH13 and BH14 not compatible with Cages  
6. FN1 and FN4 are acrylic and only available in black

**Fitters**



BH0    BH1    BH2    BH3    BH4    BH5    BH8    BH9    BH11    BH12    BH13    BH14

**Cage Sample**



CG22MI Shown

**Finials**



FN1 5"    FN2 4"    FN3 3"    FN4 3.5"

**Lux Canopy**







Shown with:  
CA - Clear Acrylic Globe  
BH1 - Fitter  
BK - Black Gloss  
FN1 - Finial

Requires nominal 3" diameter x 2 7/8" tall tenon

**FEATURES**

- 2200K, 2700K, 3000K, 4000K or 5000K Color Temperatures
- Preprogrammed Wattages available in 35W, 45W and 55W
- 20kA / 40kV Extreme Surge Suppressor
- 7-Pin Receptacle Ready for use with Wireless Control Systems (optional)
- Powered by the Lumecon L-RETRO-DG Light Engine
- Enhanced Thermal Dissipation System provides maximum thermal dissipation
- All LEDs are rated for a minimum of 100,000 hours of continuous operation at ambient temperatures from -40°F/-40°C to 115°F/46°C
- Acrylic and Polycarbonate Globe materials available
- 120-277V or 347-480V Input Voltage
- Slip fits over 2 7/8" and 3" OD tenons on most decorative poles. Requires nominal 3" diameter x 2 7/8" tall tenon
- Cast aluminum fitter housing with textured or 60% gloss polyester powder coat finishes for maximum durability
- DLC® qualified lite engine and ETL Listed to UL 1598 / 8750 and CSA 22.2 No. 250 for Wet Locations and BABA / BAA compliant
- 10-Year L70 performance-based warranty



Sample Configurations displaying LM-BRP



CA/BH1/CG11/FN1 CA/BH1/CG12M1/SR1/FN1 CA/BH1/CG13M1/SR3/FN1 CA/BH1/CG18/FN1 CA/BH1/CG21/SR1/FN1 CA/BH1/CG22M1/SR1/FN1 CA/BH1/CG23M1/SR1/FN1 CA/BH1/CG28/SR1/FN1

**PERFORMANCE DATA**

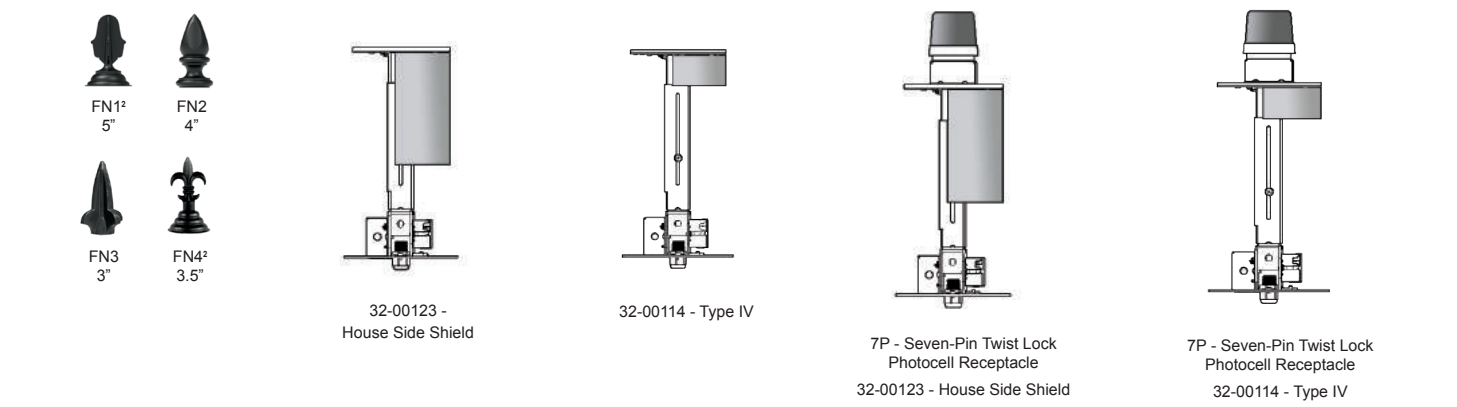
DISTRIBUTION	WATTAGE	2200K		2700K		3000K		4000K		5000K	
		LUMENS	EFFICACY	LUMENS	EFFICACY	LUMENS	EFFICACY	LUMENS	EFFICACY	LUMENS	EFFICACY
Type 5	35	3,500	100	4,480	128	4,480	128	4,585	131	4,550	130
Type 5	45	4,365	97	5,580	124	5,580	124	5,895	131	5,670	126
Type 5	55	5,170	94	6,655	121	6,655	121	6,765	123	6,655	121

**ORDERING INFORMATION**

Lumecon Midtown Post-Top Series  
Example Part Number: LM-BRP-35-1-22-CA-BH2-BK-CG77-SR1-FN1-3200123-PC-7P

REQUIRED							OPTIONAL						
MODEL	WATTAGE	VOLTAGE	CCT	GLOBE	FITTER <sup>1*</sup>	FINISH	CAGE <sup>1</sup>	SOLID ROOF	FINIAL	HOUSE SIDE SHIELD	PHOTOCELL	CONTROLS READY	DISTRIBUTION
LM-BRP	35 - 35 Watts	1 - 120-277V	22 - 2200K	CA - Clear Acrylic	X - None	BK - Black Gloss	CG11	SR1	FN1 <sup>2</sup>	32-00123 - House Side Shield	PC - Button Eye	7P - 7 Pin Receptacle	32-00114 - Type IV
	45 - 45 Watts	2 - 347-480V	27 - 2700K	WA - White Acrylic	BH0 - 10.25"	BT - Black Textured	CG12M1		FN2				
	55 - 55 Watts		30 - 3000K	CP - Clear Polycarbonate	BH1 - 10"	DB - Dark Bronze	CG13M1		FN3				
			40 - 4000K		BH2 - 6.75"	GN - Green	CG18		FN4 <sup>2</sup>				
			50 - 5000K		BH3 - 8"	<b>Premium Finishes</b>	CG21						
					BH4 - 6.75"	WH - White Gloss	CG22M1						
					BH5 - 11.25"	CF - Custom Finish	CG23M1						
					BH8 - 12"		CG28						
					BH9 - 11.5"								
					BH11 - 13.5"								
					BH12 - 12"								
					BH13 - 13.4"								

Notes:  
1. Cage and Fitter welded together requiring both to be selected  
2. FN1 and FN4 are Acrylic and only available in black







Shown with:  
CA - Clear Acrylic Globe  
BH3 - Fitter  
BK - Black Gloss

Requires nominal 3" diameter x 2 7/8" tall tenon

**FEATURES**

- 2200K, 2700K, 3000K, 4000K or 5000K Color Temperatures
- Preprogrammed Wattages available in 35W, 45W and 55W
- 20kA / 40kV Extreme Surge Suppressor
- 7-Pin Receptacle Ready for use with Wireless Control Systems (optional)
- Powered by the Lumecon L-RETRO-DG Light Engine
- Enhanced Thermal Dissipation System provides maximum thermal dissipation
- All LEDs are rated for a minimum of 100,000 hours of continuous operation at ambient temperatures from -40°F/-40°C to 115°F/46°C
- Acrylic and Polycarbonate Globe materials available
- 120-277V or 347-480V Input Voltage
- Slip fits over 2 7/8" and 3" OD tenons on most decorative poles. Requires nominal 3" diameter x 2 7/8" tall tenon
- Cast aluminum fitter housing with textured or 60% gloss polyester powder coat finishes for maximum durability
- DLC® qualified lite engine and ETL Listed to UL 1598 / 8750 and CSA 22.2 No. 250 for Wet Locations and BABA / BAA compliant
- 10-Year L70 performance-based warranty



Sample Configurations displaying LM-CRT



**PERFORMANCE DATA**

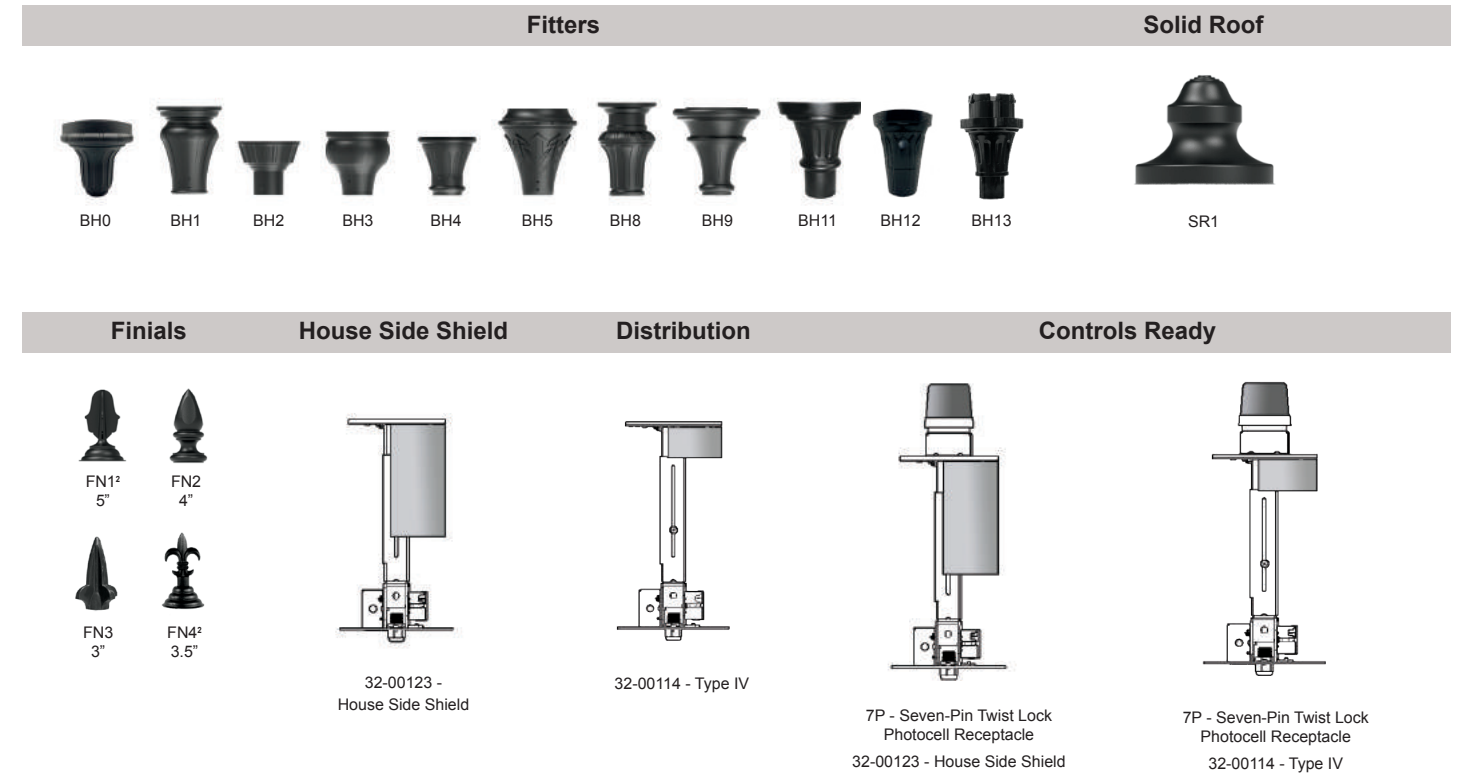
DISTRIBUTION	WATTAGE	2200K		2700K		3000K		4000K		5000K	
		LUMENS	EFFICACY	LUMENS	EFFICACY	LUMENS	EFFICACY	LUMENS	EFFICACY	LUMENS	EFFICACY
Type 5	35	3,500	100	4,480	128	4,480	128	4,585	131	4,550	130
Type 5	45	4,365	97	5,580	124	5,580	124	5,895	131	5,670	126
Type 5	55	5,170	94	6,655	121	6,655	121	6,765	123	6,655	121

**ORDERING INFORMATION**

Lumecon Midtown Post-Top Series  
Example Part Number: LM-CRT-35-1-22-CA-BH2-BK-SR-FN1-HSS-PC-7P

REQUIRED							OPTIONAL					
MODEL	WATTAGE	VOLTAGE	CCT	GLOBE	FITTER	FINISH	SOLID ROOF	FINIAL	HOUSE SIDE SHIELD	PHOTOCELL	CONTROLS READY	DISTRIBUTION
LM-CRT	35 - 35 Watts	1 - 120-277V	22 - 2200K	CA - Clear Acrylic	X - None	BK - Black Gloss	SR1	FN1 <sup>1</sup>	32-00123 - House Side Shield	PC - Button Eye	7P - 7 Pin Receptacle	32-00114 - Type IV
	45 - 45 Watts	2 - 347-480V	27 - 2700K	WA - White Acrylic	BH0 - 10.25"	BT - Black Textured		FN2				
	55 - 55 Watts		30 - 3000K	CP - Clear Polycarbonate	BH1 - 10"	DB - Dark Bronze		FN3				
			40 - 4000K		BH2 - 6.75"	GN - Green		FN4 <sup>1</sup>				
			50 - 5000K		BH3 - 8"	<b>Premium Finishes</b>						
					BH4 - 6.75"	WH - White Gloss						
					BH5 - 11.25"	CF - Custom Finish						
					BH8 - 12"							
					BH9 - 11.5"							
					BH11 - 13.5"							
					BH12 - 12"							
					BH13 - 13.4"							

Notes:  
1. FN1 and FN4 are Acrylic and only available in black







Shown with:  
CA - Clear Acrylic Globe  
BH3 - Fitter  
BK - Black Gloss

Requires nominal 3" diameter x 2 7/8" tall tenon

**FEATURES**

- 2200K, 2700K, 3000K, 4000K or 5000K Color Temperatures
- Preprogrammed Wattages available in 35W, 45W and 55W
- 20kA / 40kV Extreme Surge Suppressor
- 7-Pin Receptacle Ready for use with Wireless Control Systems (optional)
- Powered by the Lumecon L-RETRO-DG Light Engine
- Enhanced Thermal Dissipation System provides maximum thermal dissipation
- All LEDs are rated for a minimum of 100,000 hours of continuous operation at ambient temperatures from -40°F/-40°C to 115°F/46°C
- Acrylic and Polycarbonate Globe materials available
- 120-277V or 347-480V Input Voltage
- Slip fits over 2 7/8" and 3" OD tenons on most decorative poles. Requires nominal 3" diameter x 2 7/8" tall tenon
- Cast aluminum fitter housing with textured or 60% gloss polyester powder coat finishes for maximum durability
- DLC® qualified lite engine and ETL Listed to UL 1598 / 8750 and CSA 22.2 No. 250 for Wet Locations and BABA / BAA compliant
- 10-Year L70 performance-based warranty



Sample Configurations displaying LM-LCT



L-RETRO-DG LIGHT ENGINE

**PERFORMANCE DATA**

DISTRIBUTION	WATTAGE	2200K		2700K		3000K		4000K		5000K	
		LUMENS	EFFICACY	LUMENS	EFFICACY	LUMENS	EFFICACY	LUMENS	EFFICACY	LUMENS	EFFICACY
Type 5	35	3,500	100	4,480	128	4,480	128	4,585	131	4,550	130
Type 5	45	4,365	97	5,580	124	5,580	124	5,895	131	5,670	126
Type 5	55	5,170	94	6,655	121	6,655	121	6,765	123	6,655	121

**ORDERING INFORMATION**

Lumecon Midtown Post-Top Series  
Example Part Number: LM-LCT-35-1-22-CA-BH2-BK-SR1-FN1-32-00123-PC-7P

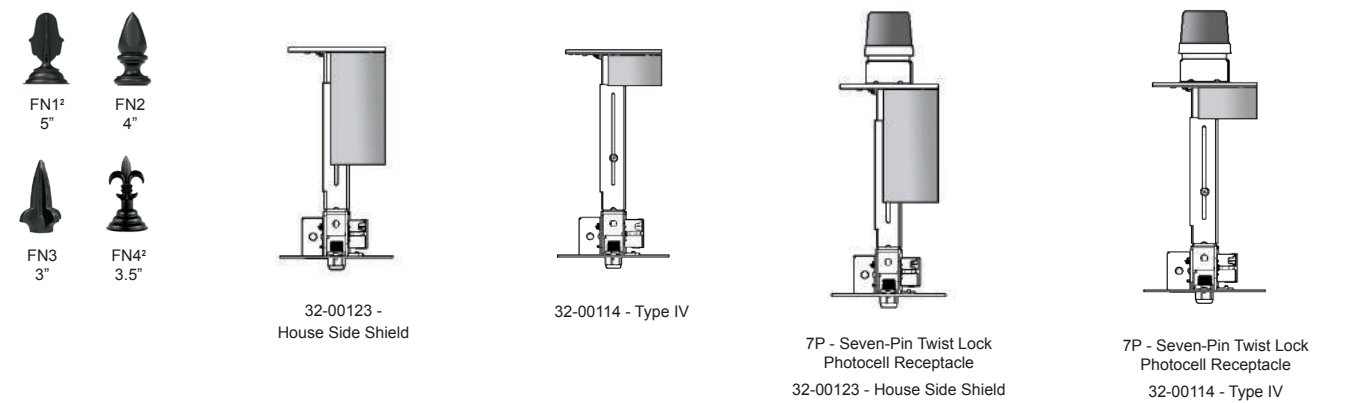
REQUIRED							OPTIONAL					
MODEL	WATTAGE	VOLTAGE	CCT	GLOBE	FITTER	FINISH	SOLID ROOF	FINIAL	HOUSE SIDE SHIELD	PHOTOCELL	CONTROLS READY	DISTRIBUTION
LM-LCT	35 - 35 Watts	1 - 120-277V	22 - 2200K	CA - Clear Acrylic	X - None	BK - Black Gloss	SR1	FN1 <sup>1</sup>	32-00123 - House Side Shield	PC - Button Eye	7P - 7 Pin Receptacle	32-00114 - Type IV
	45 - 45 Watts	2 - 347-480V	27 - 2700K	WA - White Acrylic	BH0 - 10.25"	BT - Black Textured	FN2					
	55 - 55 Watts	30 - 3000K	CP - Clear Polycarbonate	BH1 - 10"	DB - Dark Bronze	FN3						
		40 - 4000K	BH2 - 6.75"	GN - Green	FN4 <sup>1</sup>							
	50 - 5000K	BH3 - 8"	<b>Premium Finishes</b>									
		BH4 - 6.75"	WH - White Gloss									
		BH5 - 11.25"	CF - Custom Finish									
		BH8 - 12"										
		BH9 - 11.5"										
	BH11 - 13.5"											
BH12 - 12"												
BH13 - 13.4"												

Notes:  
1. FN1 and FN4 are Acrylic and only available in black

**Fitters** **Solid Roof**



**Finials** **House Side Shield** **Distribution** **Controls Ready**







Shown with:  
LA - Lumieo® Acrylic  
BH1 - Fitter  
BK - Black Gloss  
FN3 - Spike Finial

Requires nominal 3" diameter x 2 7/8" tall tenon

**FEATURES**

- 2200K, 2700K, 3000K, 4000K or 5000K Color Temperatures
- Preprogrammed Wattages available in 35W, 45W and 55W
- 20kA / 40kV Extreme Surge Suppressor
- 7-Pin Receptacle Ready for use with Wireless Control Systems (optional)
- Powered by the Lumecon L-RETRO-DG Light Engine
- Enhanced Thermal Dissipation System provides maximum thermal dissipation
- All LEDs are rated for a minimum of 100,000 hours of continuous operation at ambient temperatures from -40°F/-40°C to 115°F/46°C
- 120-277V or 347-480V Input Voltage
- Slip fits over 2 7/8" and 3" OD tenons on most decorative poles. Requires nominal 3" diameter x 2 7/8" tall tenon
- Cast aluminum fitter housing with textured or 60% gloss polyester powder coat finishes for maximum durability
- DLC® qualified lite engine and ETL Listed to UL 1598 / 8750 and CSA 22.2 No. 250 for Wet Locations and BABA / BAA compliant
- 10-Year L70 performance-based warranty



Sample Configurations displaying LM-DAV



LA/BH9/CG11/FN1 LA/CG13M1/BH9/FN1 LA/CG38/BH9/FN1 LA/CG28/BH9/FN1 LA/CG21/BH9/FN1 LA/CG22M1/BH9/FN1 LA/CG22M1/BH9/FN1

**PERFORMANCE DATA**

DISTRIBUTION	WATTAGE	2200K		2700K		3000K		4000K		5000K	
		LUMENS	EFFICACY	LUMENS	EFFICACY	LUMENS	EFFICACY	LUMENS	EFFICACY	LUMENS	EFFICACY
Type 5	35	3,500	100	4,480	128	4,480	128	4,585	131	4,550	130
Type 5	45	4,365	97	5,580	124	5,580	124	5,895	131	5,670	126
Type 5	55	5,170	94	6,655	121	6,655	121	6,765	123	6,655	121

**ORDERING INFORMATION**

Lumecon Midtown Post -Top Series  
Example Part Number: LM-DAV-35-1-22-LA-BH2-BK-CG11-FN1-3200123-PC-7P

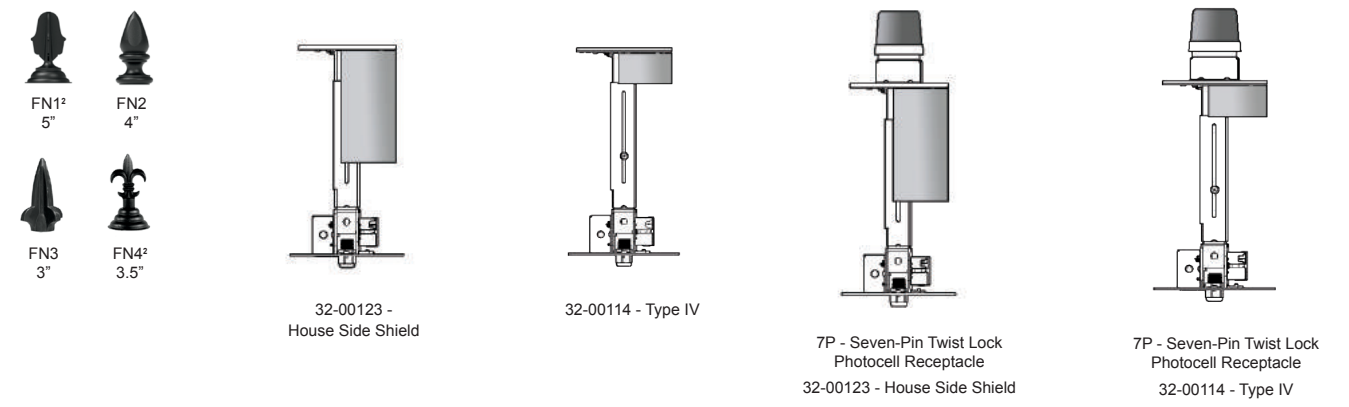
REQUIRED							OPTIONAL					
MODEL	WATTAGE	VOLTAGE	CCT	GLOBE	FITTER <sup>1</sup>	FINISH	CAGE <sup>1</sup>	FINIAL	HOUSE SIDE SHIELD	PHOTOCELL	CONTROLS READY	DISTRIBUTION
LM-DAV	35 - 35 Watts	1 - 120-277V	22 - 2200K	LA - Lumieo® acrylic	X - None	BK - Black Gloss	CG11	FN1 <sup>2</sup>	32-00123 - House Side Shield	PC - Button Eye	7P - 7 Pin Receptacle	32-00114 - Type IV
	45 - 45 Watts	2 - 347-480V	27 - 2700K		BH0 - 10.25"	BT - Black Textured	CG13M1	FN2				
	55 - 55 Watts		30 - 3000K		BH1 - 10"	DB - Dark Bronze	CG21	FN3				
			40 - 4000K		BH2 - 6.75"	GN - Green	CG22M1	FN4 <sup>2</sup>				
			50 - 5000K		BH3 - 8"	<b>Premium Finishes</b>	CG23M1					
					BH4 - 6.75"	WH - White Gloss	CG28					
					BH5 - 11.25"	CF - Custom Finish	CG38					
					BH8 - 12"							
					BH9 - 11.5"							
					BH11 - 13.5"							
					BH12 - 12"							
					BH13 - 13.4"							

Notes:  
1. Cage and Fitter welded together requiring both to be selected  
2. FN1 and FN4 are Acrylic and only available in black

**Fitters** **Cage Sample**



**Finials** **House Side Shield** **Distribution** **Controls Ready**





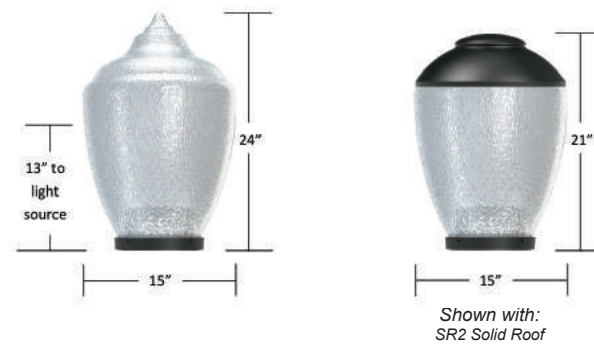


Shown with:  
CA - Clear Acrylic Globe  
BH5 - Fitter  
BK - Black Texture  
CG12M1 - Cage  
SR2 - Roof

Requires nominal 3" diameter x 2 7/8" tall tenon

**FEATURES**

- 2200K, 2700K, 3000K, 4000K or 5000K Color Temperatures
- Preprogrammed Wattages available in 35W, 45W and 55W
- 20kA / 40kV Extreme Surge Suppressor
- 7-Pin Receptacle Ready for use with Wireless Control Systems (optional)
- Powered by the Lumecon L-RETRO-DG Light Engine
- Enhanced Thermal Dissipation System provides maximum thermal dissipation
- All LEDs are rated for a minimum of 100,000 hours of continuous operation at ambient temperatures from -40°F/-40°C to 115°F/46°C
- Acrylic and Polycarbonate Globe materials available
- 120-277V or 347-480V Input Voltage
- Slip fits over 2 7/8" and 3" OD tenons on most decorative poles. Requires nominal 3" diameter x 2 7/8" tall tenon
- Cast aluminum fitter housing with textured or 60% gloss polyester powder coat finishes for maximum durability
- DLC® qualified lite engine and ETL Listed to UL 1598 / 8750 and CSA 22.2 No. 250 for Wet Locations and BABA / BAA compliant
- 10-Year L70 performance-based warranty



Sample Configurations displaying LM-GRL



CA/CG11/BH5/FN1 CA/CG12M1/BH5/FN1 CA/CG13M1/BH5/FN1 CA/CG28BH5/  
CA/CG11/BH5/SR2 CA/CG12M1/BH5/SR2 CA/CG13M1/BH5/SR2 CA/CG28/BH5/SR2

**PERFORMANCE DATA**

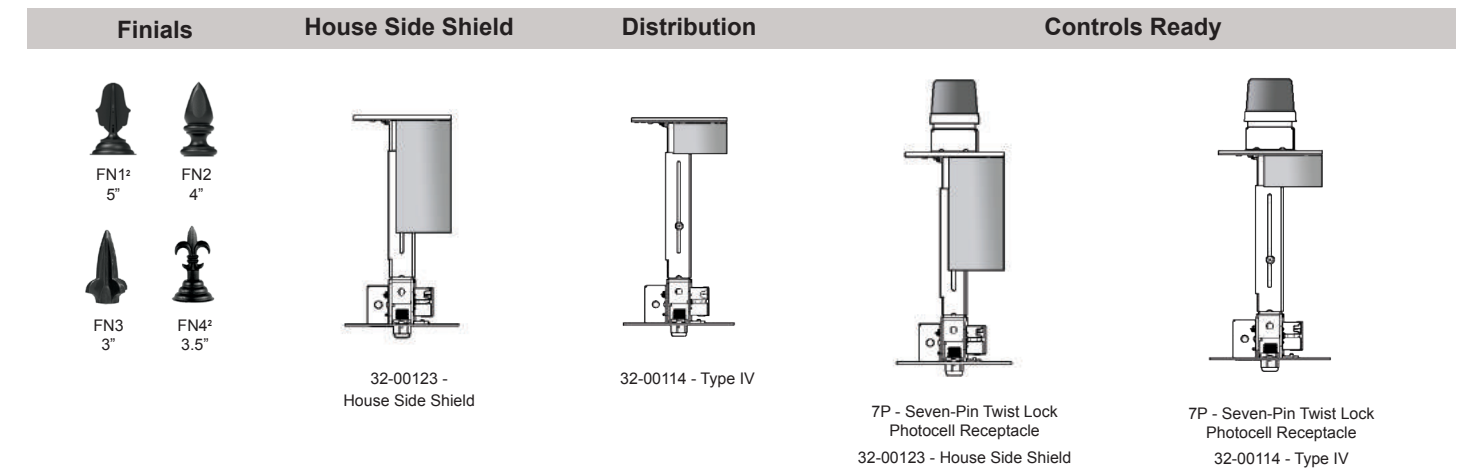
DISTRIBUTION	WATTAGE	2200K		2700K		3000K		4000K		5000K	
		LUMENS	EFFICACY	LUMENS	EFFICACY	LUMENS	EFFICACY	LUMENS	EFFICACY	LUMENS	EFFICACY
Type 5	35	3,500	100	4,480	128	4,480	128	4,585	131	4,550	130
Type 5	45	4,365	97	5,580	124	5,580	124	5,895	131	5,670	126
Type 5	55	5,170	94	6,655	121	6,655	121	6,765	123	6,655	121

**ORDERING INFORMATION**

Lumecon Midtown Post-Top Series  
Example Part Number: LM-GRL-35-1-CA-BH2-BK-CG11-SR2-FN1-32-00123-PC-7P

REQUIRED							OPTIONAL						
MODEL	WATTAGE	VOLTAGE	CCT	GLOBE	FITTER <sup>1</sup>	FINISH	CAGE <sup>1</sup>	SOLID ROOF	FINIAL	HOUSE SIDE SHIELD	PHOTOCELL	CONTROLS READY	DISTRIBUTION
LM-GRL	35 - 35 Watts	1 - 120-277V	22 - 2200K	CA - Clear Acrylic	X - None	BK - Black Gloss	CG11	SR2	FN1 <sup>2</sup>	32-00123 - House Side Shield	PC - Button Eye	7P - 7 Pin Receptacle	32-00114 - Type IV
	45 - 45 Watts	2 - 347-480V	27 - 2700K	WA - White Acrylic	BH0 - 10.25"	BT - Black Textured	CG12M1		FN2				
	55 - 55 Watts		30 - 3000K	CP - Clear Polycarbonate	BH1 - 10"	DB - Dark Bronze	CG13M1		FN3				
			40 - 4000K	LD - LD Visual Comfort	BH2 - 6.75"	GN - Green	CG18		FN4 <sup>2</sup>				
			50 - 5000K		BH3 - 8"	<b>Premium Finishes</b>	CG21						
					BH4 - 6.75"	WH - White Gloss	CG22M1						
					BH5 - 11.25"	CF - Custom Finish	CG23M1						
					BH8 - 12"		CG28						
					BH9 - 11.5"								
					BH11 - 13.5"								
					BH12 - 12"								
					BH13 - 13.4"								

Notes:  
1. Cage and Fitter welded together requiring both to be selected  
2. FN1 and FN4 are Acrylic and only available in black







Shown with:  
CA - Clear Acrylic Globe  
BH2 - Fitter  
BK - Black Gloss  
FN1 - Finial

Requires nominal 3" diameter x 2 7/8" tall tenon

**FEATURES**

- 2200K, 2700K, 3000K, 4000K or 5000K Color Temperatures
- Preprogrammed Wattages available in 35W, 45W and 55W
- 20kA / 40kV Extreme Surge Suppressor
- 7-Pin Receptacle Ready for use with Wireless Control Systems (optional)
- Powered by the Lumecon L-RETRO-DG Light Engine
- Enhanced Thermal Dissipation System provides maximum thermal dissipation
- All LEDs are rated for a minimum of 100,000 hours of continuous operation at ambient temperatures from -40°F/-40°C to 115°F/46°C
- Acrylic and Polycarbonate Globe materials available
- 120-277V or 347-480V Input Voltage
- Slip fits over 2 7/8" and 3" OD tenons on most decorative poles. Requires nominal 3" diameter x 2 7/8" tall tenon
- Cast aluminum fitter housing with textured or 60% gloss polyester powder coat finishes for maximum durability
- DLC® qualified lite engine and ETL Listed to UL 1598 / 8750 and CSA 22.2 No. 250 for Wet Locations and BABA / BAA compliant
- 10-Year L70 performance-based warranty



Sample Configurations displaying LM-GRT



**PERFORMANCE DATA**

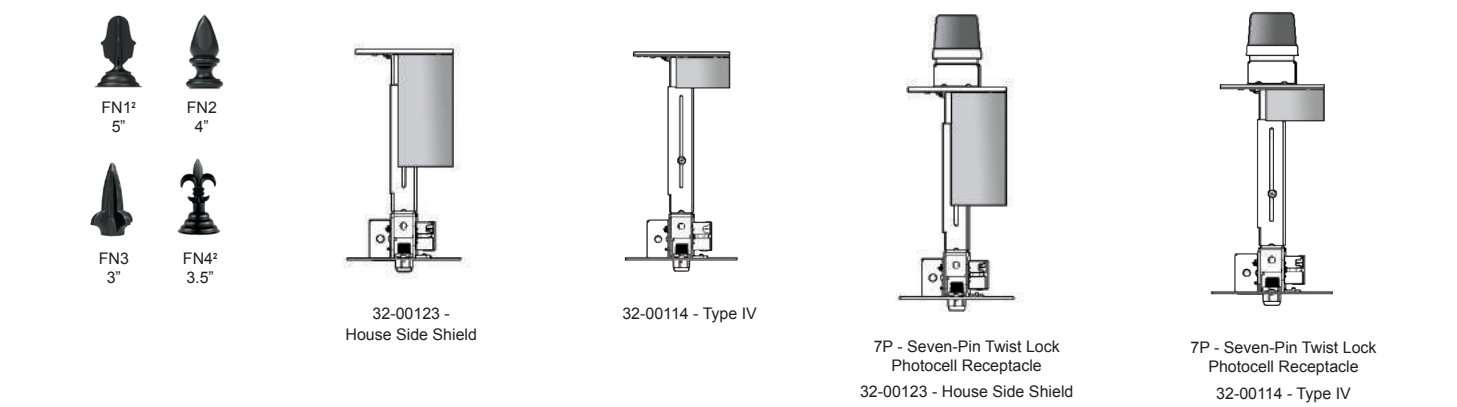
DISTRIBUTION	WATTAGE	2200K		2700K		3000K		4000K		5000K	
		LUMENS	EFFICACY	LUMENS	EFFICACY	LUMENS	EFFICACY	LUMENS	EFFICACY	LUMENS	EFFICACY
Type 5	35	3,500	100	4,480	128	4,480	128	4,585	131	4,550	130
Type 5	45	4,365	97	5,580	124	5,580	124	5,895	131	5,670	126
Type 5	55	5,170	94	6,655	121	6,655	121	6,765	123	6,655	121

**ORDERING INFORMATION**

Lumecon Midtown Post -Top Series  
Example Part Number: LM-GRT-35-1-22-CA-BH2-BK-SR7-FN1-32-00123-PC-7P

REQUIRED							OPTIONAL					
MODEL	WATTAGE	VOLTAGE	CCT	GLOBE	FITTER	FINISH	SOLID ROOF	FINIAL	HOUSE SIDE SHIELD	PHOTOCELL	CONTROLS READY	DISTRIBUTION
LM-GRT	35 - 35 Watts	1 - 120-277V	22 - 2200K	CA - Clear Acrylic	X - None	BK - Black Gloss	SR7	FN1 <sup>1</sup>	32-00123 - House Side Shield	PC - Button Ey	7P - 7 Pin Receptacle	32-00114 - Type IV
			27 - 2700K	WA - White Acrylic	BH0 - 10.25"	BT - Black Textured						
			30 - 3000K	CP - Clear Polycarbonate	BH1 - 10"	DB - Dark Bronze						
	45 - 45 Watts	2 - 347-480V	40 - 4000K		BH2 - 6.75"	GN - Green						
			50 - 5000K		BH3 - 8"	<b>Premium Finishes</b>						
					BH4 - 6.75"	WH - White Gloss						
	55 - 55 Watts				BH5 - 11.25"	CF - Custom Finish						
					BH8 - 12"							
					BH9 - 11.5"							
					BH11 - 13.5"							
					BH12 - 12"							
					BH13 - 13.4"							

Notes:  
1. FN1 and FN4 are Acrylic and only available in black







Shown with:  
CA - Clear Acrylic Globe  
BH9 - Fitter  
BK - Black Gloss  
FN1 - Finial

Requires nominal 3" diameter x 2 7/8" tall tenon

**FEATURES**

- 2200K, 2700K, 3000K, 4000K or 5000K Color Temperatures
- Preprogrammed Wattages available in 35W, 45W and 55W
- 20kA / 40kV Extreme Surge Suppressor
- 7-Pin Receptacle Ready for use with Wireless Control Systems (optional)
- Powered by the Lumecon L-RETRO-DG Light Engine
- Enhanced Thermal Dissipation System provides maximum thermal dissipation
- All LEDs are rated for a minimum of 100,000 hours of continuous operation at ambient temperatures from -40°F/-40°C to 115°F/46°C
- Acrylic and Polycarbonate Globe materials available
- 120-277V or 347-480V Input Voltage
- Slip fits over 2 7/8" and 3" OD tenons on most decorative poles. Requires nominal 3" diameter x 2 7/8" tall tenon
- Cast aluminum fitter housing with textured or 60% gloss polyester powder coat finishes for maximum durability
- DLC® qualified lite engine and ETL Listed to UL 1598 / 8750 and CSA 22.2 No. 250 for Wet Locations and BABA / BAA compliant
- 10-Year L70 performance-based warranty



Sample Configurations displaying LM-HAM



CA/CG11/BH1/FN1 CA/CG12M1/BH1/FN1 CA/CG13M1/BH1/FN1 CA/CG18/BH1/FN1 CA/CG21/BH1/FN1 CA/CG22M1/BH1/FN1 CA/CG23M1/BH1/FN1 CA/CG28/BH1/FN1

**PERFORMANCE DATA**

DISTRIBUTION	WATTAGE	2200K		2700K		3000K		4000K		5000K	
		LUMENS	EFFICACY	LUMENS	EFFICACY	LUMENS	EFFICACY	LUMENS	EFFICACY	LUMENS	EFFICACY
Type 5	35	3,500	100	4,480	128	4,480	128	4,585	131	4,550	130
Type 5	45	4,365	97	5,580	124	5,580	124	5,895	131	5,670	126
Type 5	55	5,170	94	6,655	121	6,655	121	6,765	123	6,655	121

**ORDERING INFORMATION**

Lumecon Midtown Post-Top Series  
Example Part Number: LM-HAM-35-1-22-CA-BH2-BK-CG77-FN1-32-00123-PC-7P

REQUIRED							OPTIONAL					
MODEL	WATTAGE	VOLTAGE	CCT	GLOBE	FITTER <sup>1</sup>	FINISH	CAGE <sup>1</sup>	FINIAL	HOUSE SIDE SHIELD	PHOTOCELL	CONTROLS READY	DISTRIBUTION
LM-HAM	35 - 35 Watts	1 - 120-277V	22 - 2200K	CA - Clear Acrylic	X - None	BK - Black Gloss	CG11	FN1 <sup>2</sup>	32-00123 - House Side Shield	PC - Button Eye	7P - 7 Pin Receptacle	32-00114 - Type IV
	45 - 45 Watts	2 - 347-480V	27 - 2700K	WA - White Acrylic	BH0 - 10.25"	BT - Black Textured	CG12M1	FN2				
	55 - 55 Watts		30 - 3000K	CP - Clear Polycarbonate	BH1 - 10"	DB - Dark Bronze	CG13M1	FN3				
			40 - 4000K		BH2 - 6.75"	GN - Green	CG18	FN4 <sup>2</sup>				
			50 - 5000K		BH3 - 8"	<b>Premium Finishes</b>	CG21					
					BH4 - 6.75"	WH - White Gloss	CG22M1					
					BH5 - 11.25"	CF - Custom Finish	CG23M1					
				BH8 - 12"		CG28						
				BH9 - 11.5"								
				BH11 - 13.5"								
				BH12 - 12"								
				BH13 - 13.4"								

Notes:  
1. Cage and Fitter welded together requiring both to be selected  
2. FN1 and FN4 are Acrylic and only available in black





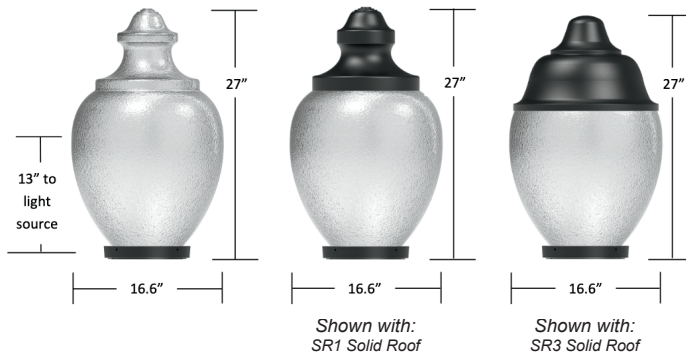


Shown with:  
CA - Clear Acrylic Globe  
BH1 - Fitter  
BT - Black Textured  
CG13M1 - Cage  
SR1 - Roof  
FN1 - Finial

Requires nominal 3" diameter x 2 7/8" tall tenon

**FEATURES**

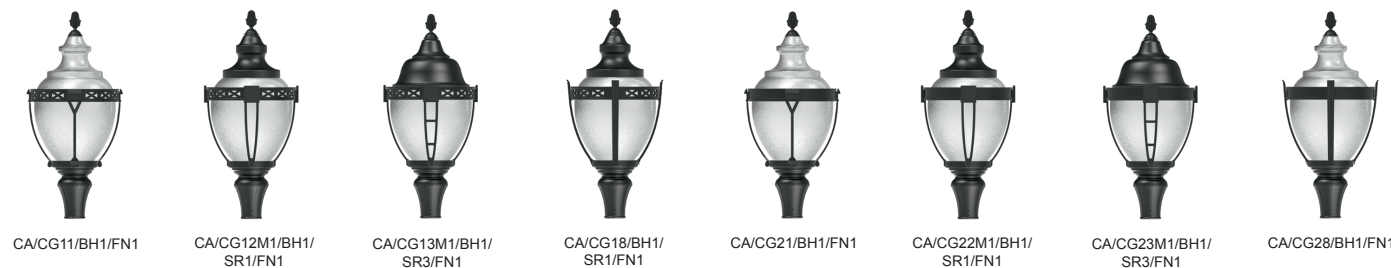
- 2200K, 2700K, 3000K, 4000K or 5000K Color Temperatures
- Preprogrammed Wattages available in 35W, 45W and 55W
- 20kA / 40kV Extreme Surge Suppressor
- 7-Pin Receptacle Ready for use with Wireless Control Systems (optional)
- Powered by the Lumecon L-RETRO-DG Light Engine
- Enhanced Thermal Dissipation System provides maximum thermal dissipation
- All LEDs are rated for a minimum of 100,000 hours of continuous operation at ambient temperatures from -40°F/-40°C to 115°F/46°C
- Acrylic and Polycarbonate Globe materials available
- 120-277V or 347-480V Input Voltage
- Slip fits over 2 7/8" and 3" OD tenons on most decorative poles. Requires nominal 3" diameter x 2 7/8" tall tenon
- Cast aluminum fitter housing with textured or 60% gloss polyester powder coat finishes for maximum durability
- DLC® qualified lite engine and ETL Listed to UL 1598 / 8750 and CSA 22.2 No. 250 for Wet Locations and BABA / BAA compliant
- 10-Year L70 performance-based warranty



Shown with:  
SR1 Solid Roof

Shown with:  
SR3 Solid Roof

Sample Configurations displaying LM-LPL



CA/CG11/BH1/FN1 CA/CG12M1/BH1/SR1/FN1 CA/CG13M1/BH1/SR3/FN1 CA/CG18/BH1/SR1/FN1 CA/CG21/BH1/FN1 CA/CG22M1/BH1/SR1/FN1 CA/CG23M1/BH1/SR3/FN1 CA/CG28/BH1/FN1

**PERFORMANCE DATA**

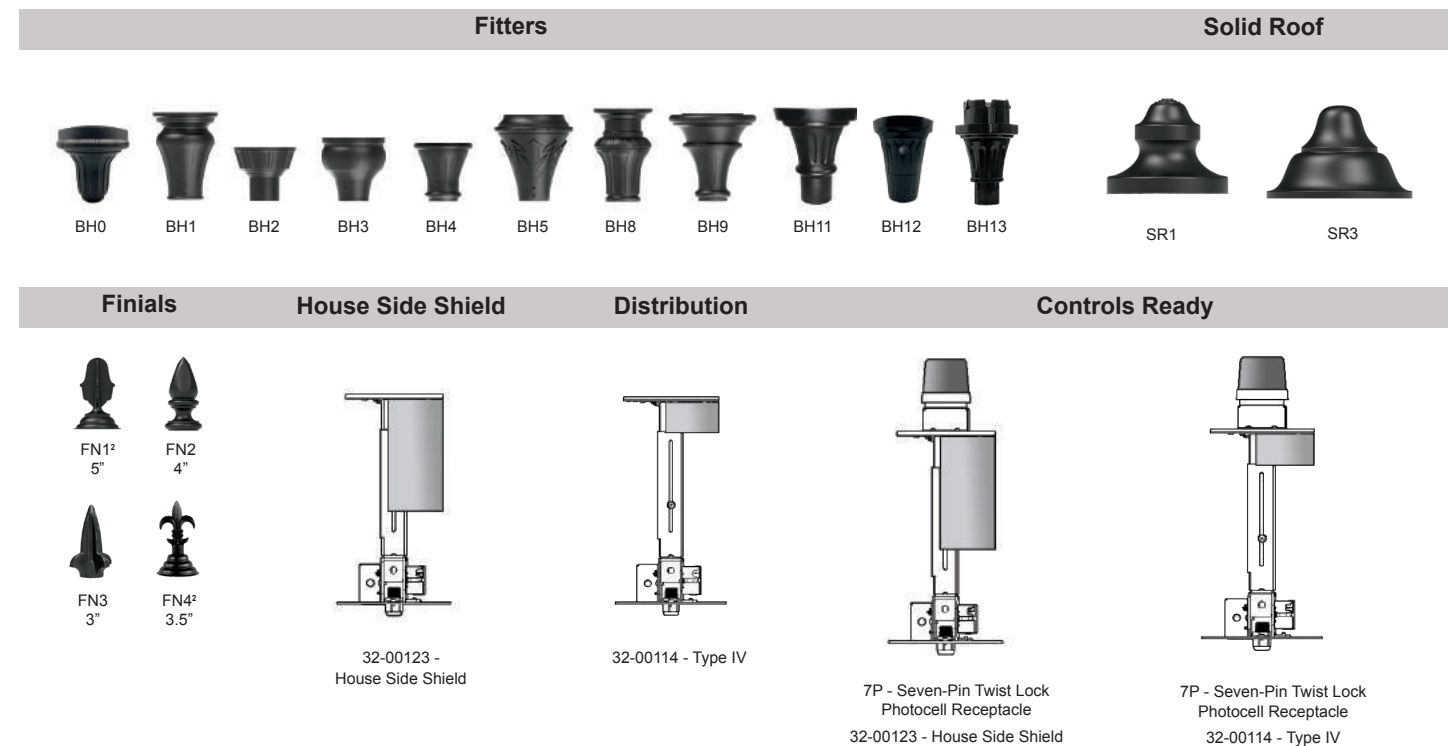
DISTRIBUTION	WATTAGE	2200K		2700K		3000K		4000K		5000K	
		LUMENS	EFFICACY	LUMENS	EFFICACY	LUMENS	EFFICACY	LUMENS	EFFICACY	LUMENS	EFFICACY
Type 5	35	3,500	100	4,480	128	4,480	128	4,585	131	4,550	130
Type 5	45	4,365	97	5,580	124	5,580	124	5,895	131	5,670	126
Type 5	55	5,170	94	6,655	121	6,655	121	6,765	123	6,655	121

**ORDERING INFORMATION**

Lumecon Midtown Post-Top Series  
Example Part Number: LM-LPL-35-1-22-CA-BH2-BK-CG77-SR7-FN1-32-00123-PC-7P

REQUIRED							OPTIONAL						
MODEL	WATTAGE	VOLTAGE	CCT	GLOBE	FITTER <sup>1</sup>	FINISH	CAGE <sup>1</sup>	SOLID ROOF	FINIAL	HOUSE SIDE SHIELD	PHOTOCELL	CONTROLS READY	DISTRIBUTION
LM-LPL	35 - 35 Watts	1 - 120-277V	22 - 2200K	CA - Clear Acrylic	X - None	BK - Black Gloss	CG11	SR1	FN1 <sup>2</sup>	32-00123 - House Side Shield	PC - Button Eye	7P - 7 Pin Receptacle	32-00114 - Type IV
	45 - 45 Watts	2 - 347-480V	27 - 2700K	WA - White Acrylic	BH0 - 10.25"	BT - Black Textured	CG12M1	SR3	FN2				
	55 - 55 Watts		30 - 3000K	CP - Clear Polycarbonate	BH1 - 10"	DB - Dark Bronze	CG13M1		FN3				
			40 - 4000K		BH2 - 6.75"	GN - Green	CG18		FN4 <sup>2</sup>				
			50 - 5000K		BH3 - 8"	<b>Premium Finishes</b>	CG21						
					BH4 - 6.75"	WH - White Gloss	CG22M1						
					BH5 - 11.25"	CF - Custom Finish	CG23M1						
					BH8 - 12"		CG28						
					BH9 - 11.5"								
					BH11 - 13.5"								
					BH12 - 12"								
					BH13 - 13.4"								

Notes:  
1. Cage and Fitter welded together requiring both to be selected  
2. FN1 and FN4 are Acrylic and only available in black







Shown with:  
CA - Clear Acrylic Globe  
BH13 - Fitter  
BK - Black Gloss Finish  
CG77 - Cage

Requires nominal 3" diameter x 2 7/8" tall tenon

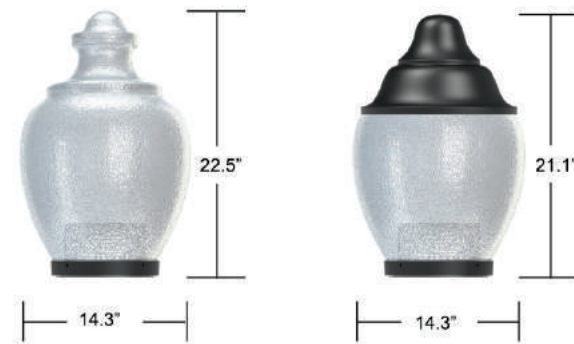
Sample Configurations displaying LM-LPM



CA/SR7/BH2/FN1 CA/CG77/BH2/FN1 CA/CG77/SR7/BH2/FN1 CA/CG77/BH2/ CA/CG77/BH2/SR7 CA/BH2/SR7 CA/BH2/FN1

**FEATURES**

- 2200K, 2700K, 3000K, 4000K or 5000K Color Temperatures
- Preprogrammed Wattages available in 35W, 45W and 55W
- 20kA / 40kV Extreme Surge Suppressor
- 7-Pin Receptacle Ready for use with Wireless Control Systems (optional)
- Powered by the Lumecon L-RETRO-DG Light Engine
- Enhanced Thermal Dissipation System provides maximum thermal dissipation
- All LEDs are rated for a minimum of 100,000 hours of continuous operation at ambient temperatures from -40°F/-40°C to 115°F/46°C
- Acrylic and Polycarbonate Globe materials available
- 120-277V or 347-480V Input Voltage
- Slip fits over 2 7/8" and 3" OD tenons on most decorative poles. Requires nominal 3" diameter x 2 7/8" tall tenon
- Cast aluminum fitter housing with textured or 60% gloss polyester powder coat finishes for maximum durability
- DLC® qualified lite engine and ETL Listed to UL 1598 / 8750 and CSA 22.2 No. 250 for Wet Locations and BABA / BAA compliant
- 10-Year L70 performance-based warranty



**PERFORMANCE DATA**

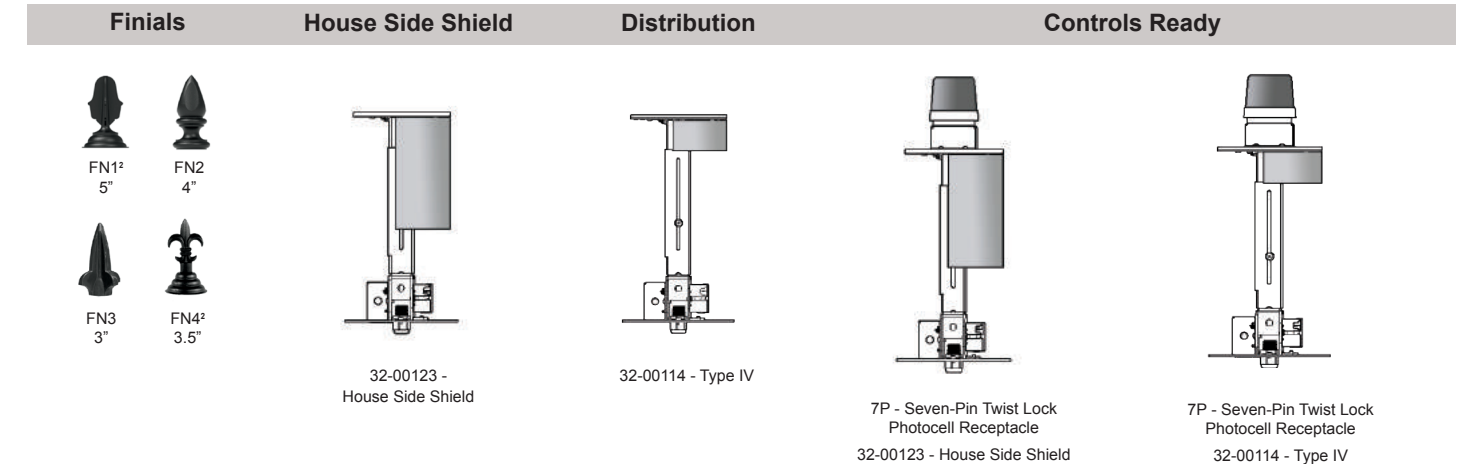
DISTRIBUTION	WATTAGE	2200K		2700K		3000K		4000K		5000K	
		LUMENS	EFFICACY	LUMENS	EFFICACY	LUMENS	EFFICACY	LUMENS	EFFICACY	LUMENS	EFFICACY
Type 5	35	3,500	100	4,480	128	4,480	128	4,585	131	4,550	130
Type 5	45	4,365	97	5,580	124	5,580	124	5,895	131	5,670	126
Type 5	55	5,170	94	6,655	121	6,655	121	6,765	123	6,655	121

**ORDERING INFORMATION**

Lumecon Midtown Post -Top Series  
Example Part Number: LM-LPM-35-1-22-CA-BH2-BK-CG77-SR7-FN1-32-00123-PC-7P

REQUIRED							OPTIONAL									
MODEL	WATTAGE	VOLTAGE	CCT	GLOBE	FITTER*	FINISH	CAGE*	SOLID ROOF	FINIAL	HOUSE SIDE SHIELD	PHOTOCELL	CONTROLS READY	DISTRIBUTION			
LM-LPM	35 - 35 Watts	1 - 120-277V	22 - 2200K	CA - Clear Acrylic	X - None	BK - Black Gloss	CG77	SR7	FN1 <sup>2</sup>	32-00123 - House Side Shield	PC - Button Eye	7P - 7 Pin Receptacle	32-00114 - Type IV			
									FN2							
									FN3							
	45 - 45 Watts	2 - 347-480V	27 - 2700K	WA - White Acrylic	BH0 - 10.25"	BT - Black Textured	CG77 Shown	SR7	FN4 <sup>2</sup>	32-00123 - House Side Shield	PC - Button Eye	7P - 7 Pin Receptacle	32-00114 - Type IV			
									FN2							
									FN3							
	55 - 55 Watts	30 - 3000K	CP - Clear Polycarbonate	BH1 - 10"	DB - Dark Bronze	CG77 Shown	SR7	SR7	FN4 <sup>2</sup>	32-00123 - House Side Shield	PC - Button Eye	7P - 7 Pin Receptacle	32-00114 - Type IV			
														Premium Finishes		
															BH2 - 6.75"	GN - Green
															BH3 - 8"	WH - White Gloss
															BH4 - 6.75"	CF - Custom Finish
															BH5 - 11.25"	
															BH8 - 12"	
BH9 - 11.5"																
BH11 - 13.5"																
BH12 - 12"																
BH13 - 13.4"																

Notes:  
1. Cage and Fitter welded together requiring both to be selected  
2. FN1 and FN4 are Acrylic and only available in black



L-RETRO-DG LIGHT ENGINE







Shown with:  
AC - Acrylic Prismatic Injection Molded  
BH13 - Fitter  
BK - Black Gloss Finish  
FN2 - Flame Finial

Requires nominal 3" diameter x 2 7/8" tall tenon

**FEATURES**

- 2200K, 2700K, 3000K, 4000K or 5000K Color Temperatures
- Preprogrammed Wattages available in 35W, 45W and 55W
- 20kA / 40kV Extreme Surge Suppressor
- 7-Pin Receptacle Ready for use with Wireless Control Systems (optional)
- Powered by the Lumecon L-RETRO-DG Light Engine
- Enhanced Thermal Dissipation System provides maximum thermal dissipation
- All LEDs are rated for a minimum of 100,000 hours of continuous operation at ambient temperatures from -40°F/-40°C to 115°F/46°C
- 120-277V or 347-480V Input Voltage
- Slip fits over 2 7/8" and 3" OD tenons on most decorative poles. Requires nominal 3" diameter x 2 7/8" tall tenon
- 20 Year Non-Yellowing Globe Warranty
- Cast aluminum fitter housing with textured or 60% gloss polyester powder coat finishes for maximum durability
- DLC® qualified lite engine and ETL Listed to UL 1598 / 8750 and CSA 22.2 No. 250 for Wet Locations and BABA / BAA compliant
- 10-Year L70 performance-based warranty



Shown with:  
AC - Acrylic Prismatic Injection Molded

**PERFORMANCE DATA**

DISTRIBUTION	WATTAGE	2200K		2700K		3000K		4000K		5000K	
		LUMENS	EFFICACY	LUMENS	EFFICACY	LUMENS	EFFICACY	LUMENS	EFFICACY	LUMENS	EFFICACY
Type 5	35	3,500	100	4,480	128	4,480	128	4,585	131	4,550	130
Type 5	45	4,365	97	5,580	124	5,580	124	5,895	131	5,670	126
Type 5	55	5,170	94	6,655	121	6,655	121	6,765	123	6,655	121

**ORDERING INFORMATION**

Lumecon Midtown Post-Top Series  
Example Part Number: LM-LWW-35-1-22-AC-BH2-BK-FN1-32-00123-PC-7P

REQUIRED							OPTIONAL				
MODEL	WATTAGE	VOLTAGE	CCT	GLOBE	FITTER	FINISH	FINIAL	HOUSE SIDE SHIELD	PHOTOCELL	CONTROLS READY	DISTRIBUTION
LM-LWW	35 - 35 Watts	1 - 120-277V	22 - 2200K	AC - Acrylic Prismatic Injection Molded - Clear	X - None	BK - Black Gloss	FN1 <sup>1</sup>	32-00123 - House Side Shield	PC - Button Eye	7P - 7 Pin Receptacle	32-00114 - Type IV
						BT - Black Textured	FN2				
						DB - Dark Bronze	FN3				
	45 - 45 Watts	2 - 347-480V	27 - 2700K	30 - 3000K	40 - 4000K	BH1 - 10"	Premium Finishes	FN4 <sup>1</sup>	WH - White Gloss		
						BH2 - 6.75"		CF - Custom Finish			
						BH3 - 8"					
	55 - 55 Watts	30 - 3000K	40 - 4000K	50 - 5000K	BH4 - 6.75"	BH8 - 12"	BH9 - 11.5"	BH11 - 13.5"	BH12 - 12"	BH13 - 13.4"	
					BH5 - 11.25"						
					BH8 - 12"						

Notes:  
1. FN1 and FN4 are Acrylic and only available in black

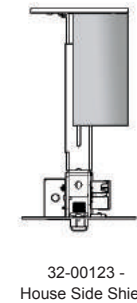
**Fitters**



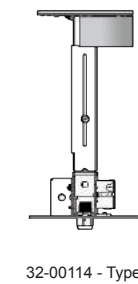
**Finials**



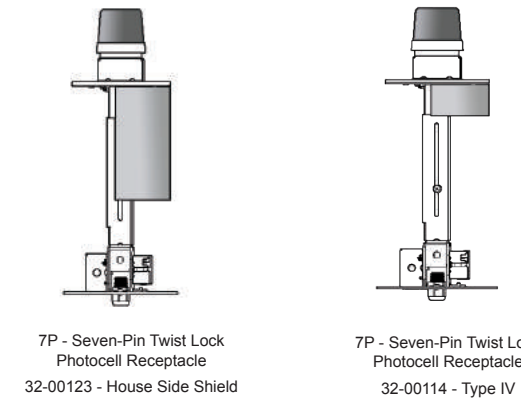
**House Side Shield**



**Distribution**



**Controls Ready**







Shown with:  
CA - Clear Acrylic Globe  
BH9 - Fitter  
BT - Black Textured  
FN2 - Finial

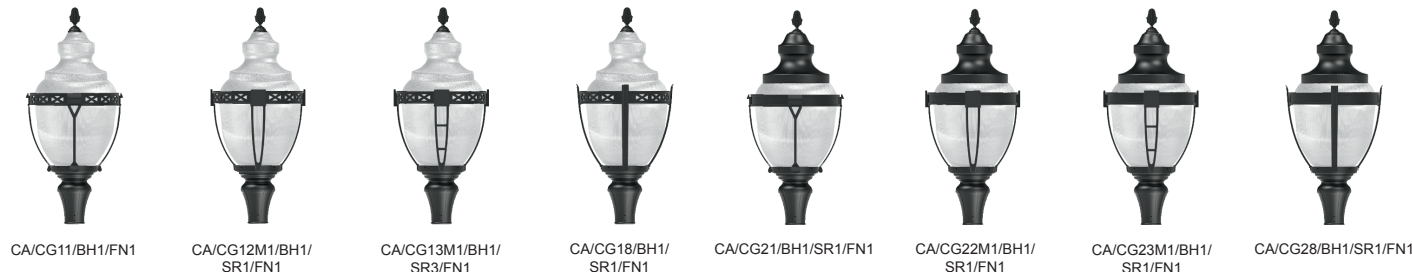
Requires nominal 3" diameter x 2 7/8" tall tenon

**FEATURES**

- 2200K, 2700K, 3000K, 4000K or 5000K Color Temperatures
- Preprogrammed Wattages available in 35W, 45W and 55W
- 20kA / 40kV Extreme Surge Suppressor
- 7-Pin Receptacle Ready for use with Wireless Control Systems (optional)
- Powered by the Lumecon L-RETRO-DG Light Engine
- Enhanced Thermal Dissipation System provides maximum thermal dissipation
- All LEDs are rated for a minimum of 100,000 hours of continuous operation at ambient temperatures from -40°F/-40°C to 115°F/46°C
- 120-277V or 347-480V Input Voltage
- Slip fits over 2 7/8" and 3" OD tenons on most decorative poles. Requires nominal 3" diameter x 2 7/8" tall tenon
- Cast aluminum fitter housing with textured or 60% gloss polyester powder coat finishes for maximum durability
- DLC® qualified lite engine and ETL Listed to UL 1598 / 8750 and CSA 22.2 No. 250 for Wet Locations and BABA / BAA compliant
- 10-Year L70 performance-based warranty



Sample Configurations displaying LM-RYO



**PERFORMANCE DATA**

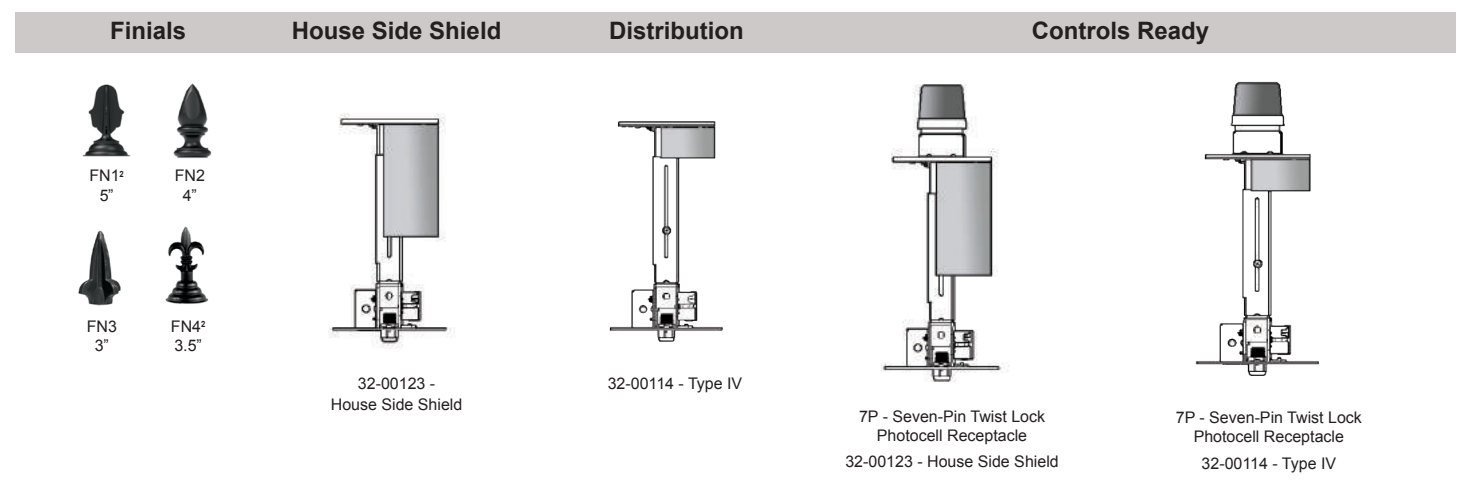
DISTRIBUTION	WATTAGE	2200K		2700K		3000K		4000K		5000K	
		LUMENS	EFFICACY	LUMENS	EFFICACY	LUMENS	EFFICACY	LUMENS	EFFICACY	LUMENS	EFFICACY
Type 5	35	3,500	100	4,480	128	4,480	128	4,585	131	4,550	130
Type 5	45	4,365	97	5,580	124	5,580	124	5,895	131	5,670	126
Type 5	55	5,170	94	6,655	121	6,655	121	6,765	123	6,655	121

**ORDERING INFORMATION**

Lumecon Midtown Post-Top Series  
Example Part Number: LM-RYO-35-1-22-CA-BH2-BK-CG77-SR7-FN1-32-00123-PC-7P

REQUIRED							OPTIONAL						
MODEL	WATTAGE	VOLTAGE	CCT	GLOBE	FITTER <sup>1</sup>	FINISH	CAGE <sup>2</sup>	SOLID ROOF	FINIAL	HOUSE SIDE SHIELD	PHOTOCELL	CONTROLS READY	DISTRIBUTION
LM-RYO	35 - 35 Watts	1 - 120-277V	22 - 2200K	CA - Clear Acrylic	X - None	BK - Black Gloss	CG11	SR1	FN1 <sup>2</sup>	32-00123 - House Side Shield	PC - Button Eye	7P - 7 Pin Receptacle	32-00114 - Type IV
	45 - 45 Watts		27 - 2700K	WA - White Acrylic	BH0 - 10.25"	BT - Black Textured							
	55 - 55 Watts	30 - 3000K		BH1 - 10"	DB - Dark Bronze								
		40 - 4000K		BH2 - 6.75"	GN - Green								
		50 - 5000K		BH3 - 8"	<b>Premium Finishes</b>								
			BH4 - 6.75"	WH - White Gloss									
			BH5 - 11.25"	CF - Custom Finish									
			BH8 - 12"										
			BH9 - 11.5"										
			BH11 - 13.5"										
			BH12 - 12"										
			BH13 - 13.4"										

Notes:  
1. Cage and Fitter welded together requiring both to be selected  
2. FN1 and FN4 are Acrylic and only available in black





Shown with:  
AC - Acrylic Prismatic Injection Molded  
BH9 Fitter  
BT - Black Textured  
CG13M1 - Cage  
FN1 - Finial

Requires nominal 3" diameter x 2 7/8" tall tenon

**FEATURES**

- 2200K, 2700K, 3000K, 4000K or 5000K Color Temperatures
- Preprogrammed Wattages available in 35W, 45W and 55W
- 20kA / 40kV Extreme Surge Suppressor
- 7-Pin Receptacle Ready for use with Wireless Control Systems (optional)
- Powered by the Lumecon L-RETRO-DG Light Engine
- Enhanced Thermal Dissipation System provides maximum thermal dissipation
- All LEDs are rated for a minimum of 100,000 hours of continuous operation at ambient temperatures from -40°F/-40°C to 115°F/46°C
- 120-277V or 347-480V Input Voltage
- Slip fits over 2 7/8" and 3" OD tenons on most decorative poles. Requires nominal 3" diameter x 2 7/8" tall tenon
- 20 Year Non-Yellowing Globe Warranty
- Cast aluminum fitter housing with textured or 60% gloss polyester powder coat finishes for maximum durability
- DLC® qualified lite engine and ETL Listed to UL 1598 / 8750 and CSA 22.2 No. 250 for Wet Locations and BABA / BAA compliant
- 10-Year L70 performance-based warranty



Sample Configurations displaying LM-WW



AC/CG11/BH9/FN1 AC/CG13M1/BH9/FN1 AC/CG21/BH9/FN1 AC/CG22M1/BH9/FN1 AC/CG23M1/BH9/FN1 AC/CG28/BH9/FN1 AC/CG38/BH9/FN1

**PERFORMANCE DATA**

DISTRIBUTION	WATTAGE	2200K		2700K		3000K		4000K		5000K	
		LUMENS	EFFICACY	LUMENS	EFFICACY	LUMENS	EFFICACY	LUMENS	EFFICACY	LUMENS	EFFICACY
Type 5	35	3,500	100	4,480	128	4,480	128	4,585	131	4,550	130
Type 5	45	4,365	97	5,580	124	5,580	124	5,895	131	5,670	126
Type 5	55	5,170	94	6,655	121	6,655	121	6,765	123	6,655	121

**ORDERING INFORMATION**

Lumecon Midtown Post-Top Series  
Example Part Number: LM-WW-35-1-22-AC-BH2-BK-CG11-FN1-32-00123-PC-7P

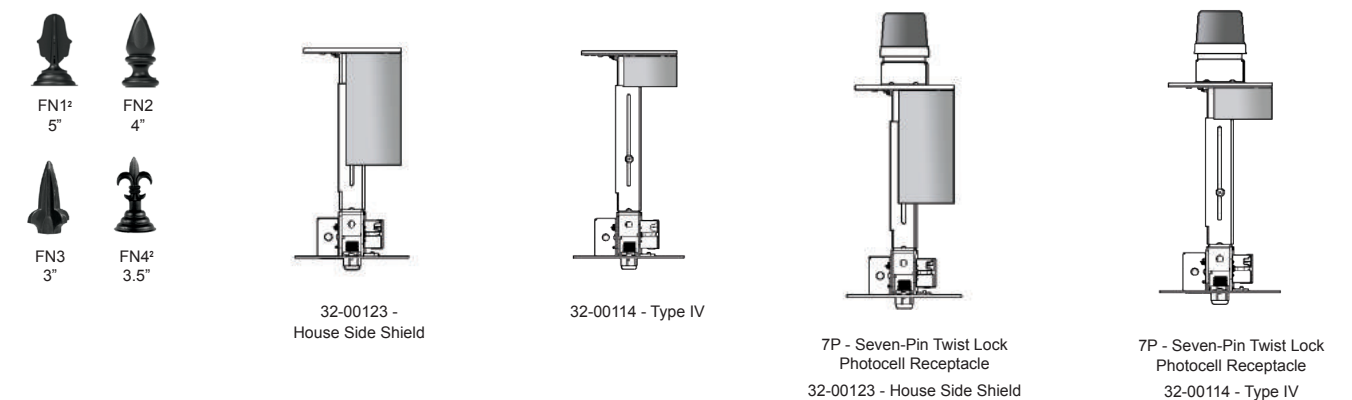
REQUIRED								OPTIONAL					
MODEL	WATTAGE	VOLTAGE	CCT	GLOBE	FITTER <sup>1</sup>	FINISH	CAGE <sup>1</sup>	FINIAL	TOP GLOBE COLOR	HOUSE SIDE SHIELD	PHOTOCELL	CONTROLS READY	DISTRIBUTION
LM-WW	35 - 35 Watts	1 - 120-277V	22 - 2200K	AC - Acrylic Prismatic Injection Molded - Clear	X - None	BK - Black Gloss	CG11	FN1 <sup>2</sup>	CL - Clear	32-00123 - House Side Shield	PC - Button Eye	7P - 7 Pin Receptacle	32-00114 - Type IV
	45 - 45 Watts	2 - 347-480V	27 - 2700K		BH0 - 10.25"	BT - Black Textured	CG13M1	FN2	B - Black				
	55 - 55 Watts		30 - 3000K		BH1 - 10"	DB - Dark Bronze	CG21	FN3	CC - Custom				
			40 - 4000K		BH2 - 6.75"	GN - Green	CG22M1	FN4 <sup>2</sup>					
			50 - 5000K		BH3 - 8"	<b>Premium Finishes</b>	CG23M1						
					BH4 - 6.75"	WH - White Gloss	CG28						
					BH5 - 11.25"	CF - Custom Finish	CG38						
					BH8 - 12"								
					BH9 - 11.5"								
					BH11 - 13.5"								
					BH12 - 12"								
					BH13 - 13.4"								

Notes:  
1. Cage and Fitter welded together requiring both to be selected  
2. FN1 and FN4 are Acrylic and only available in black

**Fitters** **Cage Sample**



**Finials** **House Side Shield** **Distribution** **Controls Ready**

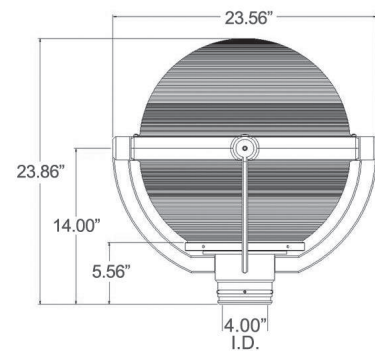






**FEATURES**

- 2200K, 2700K, 3000K, 4000K or 5000K Color Temperatures
- 20kA / 40kV Extreme Surge Suppressor
- 7-Pin Receptacle Ready for use with Wireless Control Systems (optional)
- Powered by the Lumecon LROF Light Engine
- Enhanced Thermal Dissipation System provides maximum thermal dissipation
- All LEDs are rated for a minimum of 100,000 hours of continuous operation at ambient temperatures from -40°F/-40°C to 115°F/46°C
- 120-277V or 347-480V Input Voltage
- Two-piece prismatic acrylic globe construction to obscure points of light
- 20 Year Non-Yellowing Globe Warranty
- Slip fits over 4" OD tenons on most decorative poles
- Cast aluminum fitter housing with textured or 60% gloss polyester powder coat finishes for maximum durability
- 10-Year L70 performance-based warranty



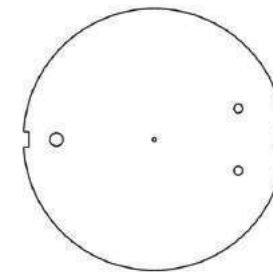
**PERFORMANCE DATA**

Model	Watts	Equiv	Delivered Lumens	Efficacy
L35W-1 (Type V)	54W	100W HID	3,876 Lm	72 LPW
L35W-2 (Type V)	84W	175W HID	5,953 Lm	72 LPW
L35W-3 (Type V)	118W	250W HID	8,426 Lm	72 LPW

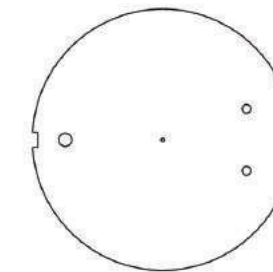
**ORDERING INFORMATION**

Lumecon Midtown Post-Top Series  
 Example Part Number: L35W-1-1-40-BK-PC-D

REQUIRED					OPTIONAL			
MODEL	WATTAGE / DISTRIBUTION	VOLTAGE	CCT	FINISH	PHOTOCELL	LITELID	POLE ADAPTER	CONTROLS READY
L35W	1 - 54 Watts / Type V	1 - 120-277V	22 - 2200K	BK - Black	PC - Button Eye Style PhotoCell	C - Cutoff Reflective - A thin, MIRO(r) reflective-full cut off LiteLid that is strong, ultra-lightweight.	3TA - 3"	7P - 7 Pin Receptacle
	2 - 84 Watts / Type V	2 - 347-480V	27 - 2700K	CC - Custom Color				
	3 - 117 Watts / Type V		30 - 3000K					
			40 - 4000K					
			50 - 5000K					
						D - Diffuser Cutoff - An acrylic/polycarbonate diffused LiteLid that's tough and lightweight, with outstanding optical properties diffusing 80% of up light.		



**C - Cutoff Reflective LiteLid:**  
 A thin, MIRO(r) reflective-full cut off lite lid that is strong, ultra-lightweight.



**D - Diffuser Cutoff LiteLid:**  
 An acrylic/polycarbonate diffused lite lid that's tough and lightweight, with outstanding optical properties diffusing 80% of up light.



3TA: 3" Pole Adapter



Shown with:  
BH13 Fitter  
AC - Acrylic Prismatic Injection Molded - Clear  
BK - Black Gloss Finish

**FEATURES**

- 2200K, 2700K, 3000K, 4000K or 5000K Color Temperatures
- Preprogrammed Wattages available in 35W, 45W and 55W
- 20kA / 40kV Extreme Surge Suppressor
- 7-Pin Receptacle Ready for use with Wireless Control Systems (optional)
- Powered by the Lumecon L-RETRO-DG Light Engine
- Enhanced Thermal Dissipation System provides maximum thermal dissipation
- 120-277V or 347-480V Input Voltage
- Two-piece prismatic acrylic globe construction to obscure points of light
- 20 Year Non-Yellowing Globe Warranty
- Slip fits over 2 7/8" and 3" OD tenons on most decorative poles. Requires nominal 3" diameter x 2 7/8" tall tenon.
- Cast aluminum fitter housing with textured or 60% gloss polyester powder coat finishes for maximum durability
- DLC® qualified lite engine and ETL Listed to UL 1598 / 8750 and CSA 22.2 No. 250 for Wet Locations and BABA / BAA compliant
- 10-Year L70 performance-based warranty



**PERFORMANCE DATA**

DISTRIBUTION	WATTAGE	2200K		2700K		3000K		4000K		5000K	
		LUMENS	EFFICACY	LUMENS	EFFICACY	LUMENS	EFFICACY	LUMENS	EFFICACY	LUMENS	EFFICACY
Type 5	35	3,500	100	4,480	128	4,480	128	4,585	131	4,550	130
Type 5	45	4,365	97	5,580	124	5,580	124	5,895	131	5,670	126
Type 5	55	5,170	94	6,655	121	6,655	121	6,765	123	6,655	121

**ORDERING INFORMATION**

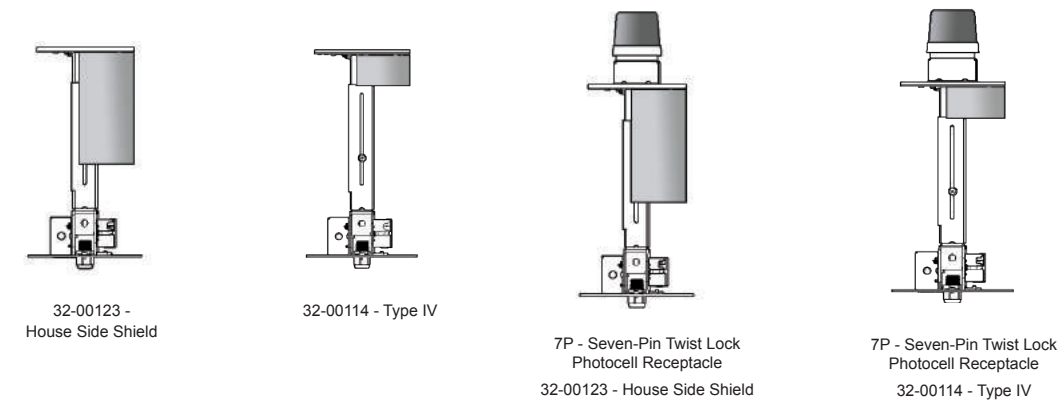
Lumecon Midtown Post-Top Series  
Example Part Number: LM-CAN- 35 -1-22-AC-BH2-BK-3200123-PC-7P

REQUIRED							OPTIONAL			
MODEL	WATTAGE	VOLTAGE	CCT	GLOBE	FITTER	FINISH	HOUSE SIDE SHIELD	PHOTOCELL	CONTROLS READY	DISTRIBUTION
LM-CAN	35 - 35 Watts	1 - 120-277V	22 - 2200K	AC - Acrylic Prismatic Injection Molded - Clear	X - None	BK - Black Gloss	32-00123 - House Side Shield	PC - Button Eye	7P - 7 Pin Receptacle	32-00114 - Type IV
	45 - 45 Watts	2 - 347-480V	27 - 2700K		BH0 - 10.25"	BT - Black Textured				
	55 - 55 Watts		30 - 3000K		BH1 - 10"	DB - Dark Bronze				
			40 - 4000K		BH2 - 6.75"	GN - Green				
			50 - 5000K		BH3 - 8"	Premium Finishes				
					BH4 - 6.75"	WH - White Gloss				
					BH5 - 11.25"	CF - Custom Finish				
					BH8 - 12"					
					BH9 - 11.5"					
					BH11 - 13.5"					
					BH12 - 12"					
					BH13 - 13.4"					

**Fitters**



**House Side Shield      Distribution      Controls Ready**



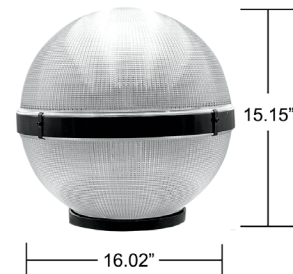




Shown with:  
BH13 Fitter  
AW - Acrylic Prismatic Injection - White  
BK - Black Gloss Finish

**FEATURES**

- 3000K or 4000K Color Temperatures
- 20kA / 40kV Extreme Surge Suppressor
- 7-Pin Receptacle Ready for use with Wireless Control Systems (optional)
- Powered by the Lumecon LROF Light Engine
- Enhanced Thermal Dissipation System provides maximum thermal dissipation
- All LEDs are rated for a minimum of 100,000 hours of continuous operation at ambient temperatures from -40°F/-40°C to 115°F/46°C
- 120-277V or 347-480V Input Voltage
- Two-piece prismatic acrylic globe construction to obscure points of light
- 20 Year Non-Yellowing Globe Warranty
- Slip fits over 4" OD tenons on most decorative poles
- Cast aluminum fitter housing with textured or 60% gloss polyester powder coat finishes for maximum durability
- 10-Year L70 performance-based warranty



**PERFORMANCE DATA**

Model	Watts	Equiv	Delivered Lumens	Efficacy
LBOF-1 (Type V)	54W	100W HID	3,922 Lm	72 LPW
LBOF-2 (Type V)	58W	175W HID	5,739 Lm	68 LPW
LBOF-3 (Type V)	85W	250W HID	7,276 Lm	62 LPW

**ORDERING INFORMATION**

Lumecon Midtown Post-Top Series  
Example Part Number: LM-DPL-1-2-40-AC-BH2-BK-NPLL-HSS-PC-7P

REQUIRED							OPTIONAL			
MODEL	WATTAGE	VOLTAGE	CCT	GLOBE	FITTER	FINISH	LITELID	HOUSE SIDE SHIELD	PHOTOCELL	CONTROLS READY
LBOF	1 - 54W / Type V	1 - 120-277V	30 - 3000K	AC - Acrylic Prismatic Injection - Clear	X - None	BK - Black Gloss	NPLL - Non-Perforated LiteLid DLL - Diffused LiteLid	HSS - House side Shield	PC - Button Eye	7P - 7 Pin Receptacle
	2 - 58W / Type V	2 - 347-480V	40 - 4000K	AW - Acrylic Prismatic Injection - White	BH0 - 10.25"	BT - Black Textured				
	3 - 85W / Type V				BH1 - 10"	DB - Dark Bronze				
					BH2 - 6.75"	GN - Green				
					BH3 - 8"	<b>Premium Finishes</b>				
					BH4 - 6.75"	WH - White Gloss				
					BH5 - 11.25"	CF - Custom Finish				
					BH8 - 12"					
					BH9 - 11.5"					
					BH11 - 13.5"					
					BH12 - 12"					
					BH13 - 13.4"					

**Fitters**





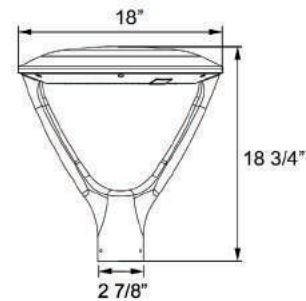
LM-SEL1 Single Arm Architectural Post-Top



LM-SEL2 Double Arm Architectural Post-Top

**FEATURES**

- 3000K, 4000K or 5000K Color Temperatures
- Type 5, Type 4, Type 3 and Type 2 light distribution patterns while maintaining a full cutoff rating
- 20kA / 40kV Extreme Surge Suppressor
- 7-Pin Receptacle Ready for use with Wireless Control Systems (optional)
- Enhanced Thermal Dissipation System provides maximum thermal dissipation
- All LEDs are rated for a minimum of 100,000 hours of continuous operation at ambient temperatures from -40°F/-40°C to 115°F/46°C
- 120-277V or 347-480V Input Voltage
- Clear Polycarbonate Vandal-Resistant Array with Integral Optics or SoftLED LumaLens Opal UV-Stabilized Polycarbonate Vandal-Resistant Lens
- Die cast and Sand Cast Aluminum Housing with powder coat finish over a chromate conversion coating
- Two Mounting methods are available; a single strut or a dual strut. Both fit over a 2 7/8" x 3" tenon
- BAA compliant
- 10-Year L70 performance-based warranty



**PERFORMANCE DATA**

Optic	Color Temp	40W	75W	115W	160W
LM-SEL-1 Type I	3000K	4,891	7,979	12,276	17,187
	4000K	5,100	8,302	12,774	17,883
	5000K	5,288	8,626	13,272	18,580
	BUG	B2-U0-G1	B3-U0-G2	B3-U0-G3	B4-U0-G3
LM-SEL-1 Type II	3000K	4,912	8,629	13,275	18,585
	4000K	5,111	8,979	13,814	19,339
	5000K	5,310	9,328	14,352	20,092
	BUG	B1-U0-G1	B2-U0-G2	B2-U0-G2	B3-U0-G3
LM-SEL-1 Type III	3000K	4,932	8,663	13,329	18,660
	4000K	5,132	9,015	13,869	19,417
	5000K	5,331	9,366	14,352	20,173
	BUG	B2-U0-G2	B2-U0-G2	B3-U0-G3	B3-U0-G3
LM-SEL-1 Type IV	3000K	4,500	7,905	12,126	17,026
	4000K	4,682	8,226	12,656	17,717
	5000K	4,865	8,546	13,148	18,407
	BUG	B1-U0-G2	B2-U0-G3	B2-U0-G3	B3-U0-G4
LM-SEL-1 Type V	3000K	4,935	8,669	13,337	18,672
	4000K	5,135	9,021	13,878	19,430
	5000K	5,334	9,372	14,419	20,186
	BUG	B3-U0-G1	B3-U0-G2	B4-U0-G2	B4-U0-G2

Optic	Color Temp	40W	75W	115W	160W
LM-SEL-2 Type I	3000K	4,520	7,375	11,345	15,882
	4000K	4,704	7,673	11,804	16,526
	5000K	4,887	7,972	12,264	17,170
	BUG	B2-U0-G1	B3-U0-G2	B3-U0-G3	B4-U0-G3
LM-SEL-2 Type II	3000K	4,539	7,974	12,268	17,174
	4000K	4,723	8,298	12,766	17,871
	5000K	4,907	8,620	13,262	18,567
	BUG	B1-U0-G1	B2-U0-G1	B2-U0-G2	B3-U0-G3
LM-SEL-2 Type III	3000K	4,557	8,006	12,317	17,243
	4000K	4,742	8,331	12,817	17,943
	5000K	4,927	8,655	13,315	18,641
	BUG	B2-U0-G2	B2-U0-G2	B3-U0-G3	B3-U0-G3
LM-SEL-2 Type IV	3000K	4,340	7,624	11,418	15,753
	4000K	4,516	7,933	11,881	16,392
	5000K	4,692	8,242	12,343	17,030
	BUG	B1-U0-G2	B2-U0-G3	B2-U0-G3	B3-U0-G4
LM-SEL-2 Type V	3000K	4,560	8,011	12,325	17,255
	4000K	4,745	8,336	12,826	17,955
	5000K	4,930	8,661	13,324	18,653
	BUG	B3-U0-G1	B3-U0-G2	B4-U0-G2	B4-U0-G2

**ORDERING INFORMATION**

Lumecon Midtown Post-Top Series  
 Example Part Number: LM-SEL1-40-T2-1-NW-C-BK

REQUIRED						
MODEL	WATTAGE	DISTRIBUTION	VOLTAGE	CCT	LENS	COLOR
LM-SEL1 - Single Arm	40 - 40 Watts	T2 - Type II	1 - 120-277V	OW - 3000K	C - Clear w/optics	BK - Black Gloss
LM-SEL2 - Double Arm	75 - 75 Watts	T3 - Type III	2 - 347-480V	NW - 4000K		CC - Custom Color Must specify RAL number
	115 - 115 Watts	T4 - Type IV		CW - 5000K		
	160 - 160 Watts	T5 - Type V				
OPTIONAL						

- MS - Microwave Occupancy Sensor with Dimming for Mounting Heights of 8' to 40'; (120-277v Only)
- R - Twist Lock Photocell Receptacle Only
- RS - Twist Lock Photocell with Shorting Cap
- 7P - Seven-Pin Twist Lock Photocell Receptacle Only (Controls by Others)
- BB - Battery Back Up (Cold Rated)
- TA - Tenon Adapter (Converts a 2 1/4" x 4" Pole Tenon to a 2 3/4" x 3" Tenon. Die-Cast with Powder coat finish)
- TAB - Tenon Adapter (Black) Standard
- TAC - Tenon Adapter (Custom Color) Special Order





Shown with:  
H6734BP Style  
Black Finish  
CA - Clear Acrylic

**FEATURES**

- 2200K, 2700K, 3000K, 4000K or 5000K Color Temperatures
- Preprogrammed Wattages available in 20W, 40W, and 60W
- 20kA / 40kV Extreme Surge Suppressor
- 7-Pin Receptacle Ready for use with Wireless Control Systems (optional)
- Powered by the Lumecon L-RETRO-T Light Engine
- Enhanced Thermal Dissipation System provides maximum thermal dissipation
- All LEDs are rated for a minimum of 100,000 hours of continuous operation at ambient temperatures from -40°F/-40°C to 115°F/46°C
- Acrylic and Polycarbonate Lens materials available
- 120-277V or 347-480V Input Voltage
- Slip fits over 2 7/8" and 3" OD tenons on most decorative poles. Requires nominal 3" diameter x 2 7/8" tall tenon
- Cast aluminum fitter housing with textured or 60% gloss polyester powder coat finishes for maximum durability
- DLC® qualified lite engine and ETL Listed to UL 1598 / 8750 and CSA 22.2 No. 250 for Wet Locations and BABA / BAA compliant
- 10-Year L70 performance-based warranty

**PERFORMANCE DATA**

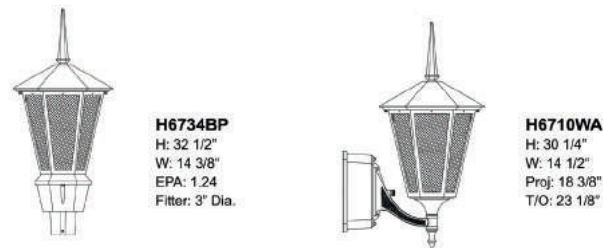
Model	Distribution Type	Watts	2200K		2700K		3000K		4000K		5000K	
			Lumens	Efficacy	Lumens	Efficacy	Lumens	Efficacy	Lumens	Efficacy	Lumens	Efficacy
LM-ADM	Type 2	20W	2,001	100	2,470	124	2,503	125	2,792	140	2,792	140
	Type 3	20W	2,062	103	2,546	127	2,579	129	2,877	144	2,877	144
	Type 4	20W	1,969	98	2,431	122	2,463	123	2,747	137	2,747	137
	Type 5	20W	1,972	99	2,435	122	2,467	123	2,747	138	2,747	138
LM-ADM	Type 2	40W	4,120	103	5,087	127	5,150	129	5,712	143	5,712	143
	Type 3	40W	4,142	104	5,114	128	5,177	129	5,743	144	5,743	144
	Type 4	40W	4,109	103	5,073	127	5,135	128	5,696	142	5,696	142
	Type 5	40W	4,110	103	5,074	127	5,137	128	5,697	142	5,697	142
LM-ADM	Type 2	60W	6,084	101	7,511	125	7,604	127	8,448	141	8,448	141
	Type 3	60W	6,117	102	7,552	126	7,646	127	8,494	142	8,494	142
	Type 4	60W	6,066	101	7,489	125	7,583	126	8,424	140	8,424	140
	Type 5	60W	6,068	101	7,491	125	7,585	126	8,426	140	8,426	140

**ORDERING INFORMATION**

Lumecon Midtown Post-Top Series  
Example Part Number: LM-ADM-H6734BP-40-1-40-T2-WA-BLK-PC-BL

MODEL	STYLE	WATTAGE	VOLTAGE	CCT	DISTRIBUTION	LENS	FINISH	REQUIRED		
								PHOTOCELL	HOUSE SIDE SHIELD	DIMMING CONTROLS
LM-ADM	H6734BP	20 - 20 Watts	1 - 120v - 277v	22 - 2200K	T2 - Type II	CA - Clear Acrylic	See Samples Below	PC - Button Eye	BL - Back Light Louvers	FAWS - Field Adjustable Wattage Selector
	H6710WA	40 - 40 Watts	2 - 347v - 480v	27 - 2700K	T3 - Type III	PA - Prismatic Acrylic				
		60 - 60 Watts	30 - 3000K	T4 - Type IV	WA - White Acrylic					
			40 - 4000K	T5 - Type V						
				50 - 5000K						

**Product Style Samples**



**H6734BP**  
H: 32 1/2"  
W: 14 3/8"  
EPA: 1.24  
Fitter: 3" Dia.

**H6710WA**  
H: 30 1/4"  
W: 14 1/2"  
Proj: 18 3/8"  
T/O: 23 1/8"

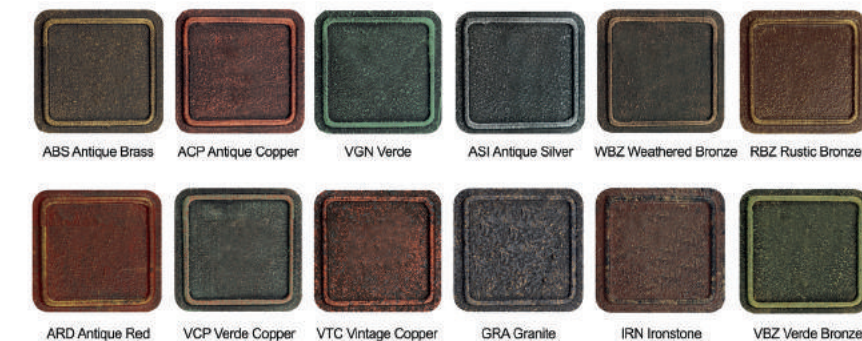


**Available Finishes**

Standard



Premium







Shown with:  
H9837BP Style  
CA - Clear Acrylic Lens  
BLK - Black Finish

**FEATURES**

- 2200K, 2700K, 3000K, 4000K or 5000K Color Temperatures
- Preprogrammed Wattages available in 20W, 40W, 60W and 80W
- 20kA / 40kV Extreme Surge Suppressor
- 7-Pin Receptacle Ready for use with Wireless Control Systems (optional)
- Powered by the Lumecon L-RETRO-T Light Engine
- Enhanced Thermal Dissipation System provides maximum thermal dissipation
- All LEDs are rated for a minimum of 100,000 hours of continuous operation at ambient temperatures from -40°F/-40°C to 115°F/46°C
- Acrylic and Polycarbonate Lens materials available
- 120-277V or 347-480V Input Voltage
- Slip fits over 2 7/8" and 3" OD tenons on most decorative poles. Requires nominal 3" diameter x 2 7/8" tall tenon
- Cast aluminum fitter housing with textured or 60% gloss polyester powder coat finishes for maximum durability
- DLC® qualified lite engine and ETL Listed to UL 1598 / 8750 and CSA 22.2 No. 250 for Wet Locations and BABA / BAA compliant
- 10-Year L70 performance-based warranty

**PERFORMANCE DATA**

Model	Distribution Type	Watts	2200K		2700K		3000K		4000K		5000K	
			Lumens	Efficacy	Lumens	Efficacy	Lumens	Efficacy	Lumens	Efficacy	Lumens	Efficacy
LM-ALX	Type 2	20W	2,001	100	2,470	124	2,503	125	2,792	140	2,792	140
	Type 3	20W	2,062	103	2,546	127	2,579	129	2,877	144	2,877	144
	Type 4	20W	1,969	98	2,431	122	2,463	123	2,747	137	2,747	137
	Type 5	20W	1,972	99	2,435	122	2,467	123	2,747	138	2,747	138
LM-ALX	Type 2	40W	4,120	103	5,087	127	5,150	129	5,712	143	5,712	143
	Type 3	40W	4,142	104	5,114	128	5,177	129	5,743	144	5,743	144
	Type 4	40W	4,109	103	5,073	127	5,135	128	5,696	142	5,696	142
	Type 5	40W	4,110	103	5,074	127	5,137	128	5,697	142	5,697	142
LM-ALX	Type 2	60W	6,084	101	7,511	125	7,604	127	8,448	141	8,448	141
	Type 3	60W	6,117	102	7,552	126	7,646	127	8,494	142	8,494	142
	Type 4	60W	6,066	101	7,489	125	7,583	126	8,424	140	8,424	140
	Type 5	60W	6,068	101	7,491	125	7,585	126	8,426	140	8,426	140
LM-ALX	Type 2	80W	7,982	100	9,854	123	9,979	125	11,104	139	11,104	139
	Type 3	80W	8,026	100	9,909	124	10,035	125	11,166	140	11,166	140
	Type 4	80W	7,958	99	9,825	123	9,950	124	11,072	138	11,072	138
	Type 5	80W	7,961	100	9,828	123	9,953	124	11,075	138	11,075	138

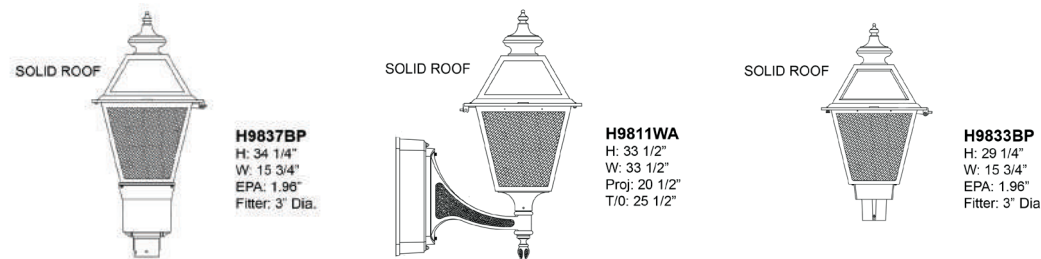
**ORDERING INFORMATION**

Lumecon Midtown Post-Top Series  
Example Part Number: LM-ALX-H9837BP-40-1-40-T3-CA-BLK-BL

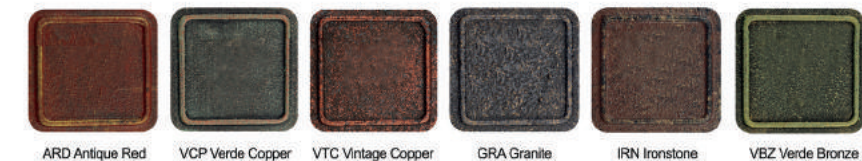
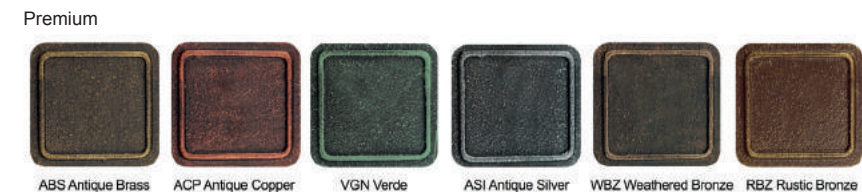
REQUIRED								OPTIONAL			
MODEL	STYLE	WATTAGE	VOLTAGE	CCT	DISTRIBUTION	LENS	FINISH	PHOTOCELL	HOUSE SIDE SHIELD	DIMMING CONTROLS	
LM-ALX	H9837BP	20 - 20 Watts	1 - 120 - 277V	22 - 2200K	T2 - Type II	NL - No Lens*	See Samples Below	PC - Button Eye	BL - Back Light Louvers	FAWS - Field Adjustable Wattage Selector	
	H9811WA	40 - 40 Watts	2 - 347 - 480V	27 - 2700K	T3 - Type III	CA - Clear Acrylic					
	H9833BP	60 - 60 Watts 80 - 80 Watts		30 - 3000K	T4 - Type IV	CP - Clear Polycarbonate					
				40 - 4000K	T5 - Type V	OA - Opal Acrylic					
				50 - 5000K		OP - Opal Polycarbonate					
						PP - Prismatic Polycarbonate					

\*Dark Sky Compliant with 3000K, 2700K and 2200K CCT

**Product Style Samples**



**Available Finishes**





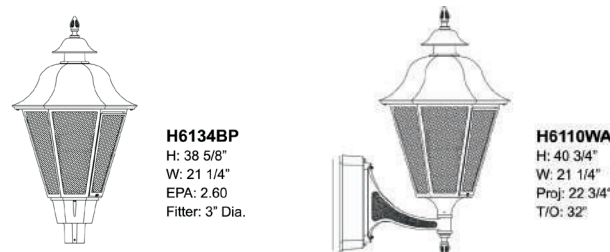


Shown with:  
H6134BP Style  
WA - White Acrylic Lens  
VCP - Verde Copper Finish

**FEATURES**

- 2200K, 2700K, 3000K, 4000K or 5000K Color Temperatures
- Preprogrammed Wattages available in 20W, 40W and 60W
- 20kA / 40kV Extreme Surge Suppressor
- 7-Pin Receptacle Ready for use with Wireless Control Systems (optional)
- Powered by the Lumecon L-RETRO-T Light Engine
- Enhanced Thermal Dissipation System provides maximum thermal dissipation
- All LEDs are rated for a minimum of 100,000 hours of continuous operation at ambient temperatures from -40°F/-40°C to 115°F/46°C
- Acrylic and Polycarbonate Lens materials available
- 120-277V or 347-480V Input Voltage
- Slip fits over 2 7/8" and 3" OD tenons on most decorative poles. Requires nominal 3" diameter x 2 7/8" tall tenon
- Cast aluminum fitter housing with textured or 60% gloss polyester powder coat finishes for maximum durability
- DLC® qualified lite engine and ETL Listed to UL 1598 / 8750 and CSA 22.2 No. 250 for Wet Locations and BABA / BAA compliant
- 10-Year L70 performance-based warranty

**Product Style Samples**



**H6134BP**  
H: 38 5/8"  
W: 21 1/4"  
EPA: 2.60  
Fitter: 3" Dia.

**H6110WA**  
H: 40 3/4"  
W: 21 1/4"  
Proj: 22 3/4"  
T/O: 32"



L-RETRO-T LIGHT ENGINE

**PERFORMANCE DATA**

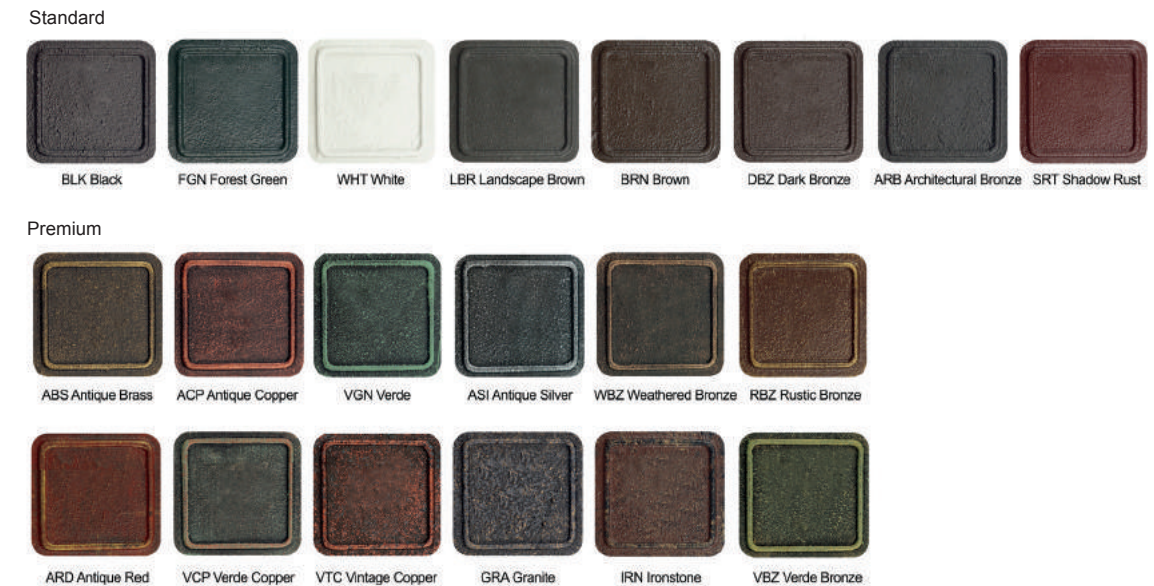
Model	Distribution Type	Watts	2200K		2700K		3000K		4000K		5000K	
			Lumens	Efficacy	Lumens	Efficacy	Lumens	Efficacy	Lumens	Efficacy	Lumens	Efficacy
LM-BRD	Type 2	20W	2,001	100	2,470	124	2,503	125	2,792	140	2,792	140
	Type 3	20W	2,062	103	2,546	127	2,579	129	2,877	144	2,877	144
	Type 4	20W	1,969	98	2,431	122	2,463	123	2,747	137	2,747	137
	Type 5	20W	1,972	99	2,435	122	2,467	123	2,747	138	2,747	138
LM-BRD	Type 2	40W	4,120	103	5,087	127	5,150	129	5,712	143	5,712	143
	Type 3	40W	4,142	104	5,114	128	5,177	129	5,743	144	5,743	144
	Type 4	40W	4,109	103	5,073	127	5,135	128	5,696	142	5,696	142
	Type 5	40W	4,110	103	5,074	17	5,137	128	5,697	142	5,697	142
LM-BRD	Type 2	60W	6,084	101	7,511	125	7,604	127	8,448	141	8,448	141
	Type 3	60W	6,117	102	7,552	126	7,646	127	8,494	142	8,494	142
	Type 4	60W	6,066	101	7,489	125	7,583	126	8,424	140	8,424	140
	Type 5	60W	6,068	101	7,491	125	7,585	126	8,426	140	8,426	140

**ORDERING INFORMATION**

Lumecon Midtown Post-Top Series  
Example Part Number: LM-BRD-H6134BP-40-1-40-T3-CA-BLK-PC-BL

REQUIRED								OPTIONAL		
MODEL	STYLE	WATTAGE	VOLTAGE	CCT	DISTRIBUTION	LENS	FINISH	PHOTOCELL	HOUSE SIDE SHIELD	DIMMING CONTROLS
LM-BRD	H6134BP	20 - 20 Watts	1 - 120v - 277v	22 - 2200K	T2 - Type II	CA - Clear Acrylic	See Samples Below	PC - Button Eye	BL - Back Light Louvers	FAWS - Field Adjustable Wattage Selector
	H6110WA	40 - 40 Watts	2 - 347v - 480v	27 - 2700K	T3 - Type III	CP - Clear Polycarbonate				
		60 - 60 Watts	30 - 3000K	T4 - Type IV	OA - Opal Acrylic					
			40 - 4000K	T5 - Type V	OP - Opal Polycarbonate					
			50 - 5000K		PP - Prismatic Polycarbonate					

**Available Finishes**







Shown with:  
H6134BP Style  
WA - White Acrylic Lens  
VCP - Verde Copper Finish

**FEATURES**

- 2200K, 2700K, 3000K, 4000K or 5000K Color Temperatures
- Preprogrammed Wattages available in 20W, 40W, 60W and 80W
- 20kA / 40kV Extreme Surge Suppressor
- 7-Pin Receptacle Ready for use with Wireless Control Systems (optional)
- Powered by the Lumecon L-RETRO-T Light Engine
- Enhanced Thermal Dissipation System provides maximum thermal dissipation
- All LEDs are rated for a minimum of 100,000 hours of continuous operation at ambient temperatures from -40°F/-40°C to 115°F/46°C
- Acrylic and Polycarbonate Lens materials available
- 120-277V or 347-480V Input Voltage
- Slip fits over 2 7/8" and 3" OD tenons on most decorative poles. Requires nominal 3" diameter x 2 7/8" tall tenon
- Cast aluminum fitter housing with textured or 60% gloss polyester powder coat finishes for maximum durability
- DLC® qualified lite engine and ETL Listed to UL 1598 / 8750 and CSA 22.2 No. 250 for Wet Locations and BABA / BAA compliant
- 10-Year L70 performance-based warranty

**PERFORMANCE DATA**

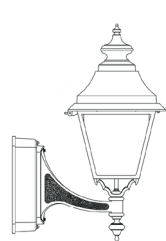
Model	Distribution Type	Watts	2200K		2700K		3000K		4000K		5000K	
			Lumens	Efficacy	Lumens	Efficacy	Lumens	Efficacy	Lumens	Efficacy	Lumens	Efficacy
LM-BRT	Type 2	20W	2,001	100	2,470	124	2,503	125	2,792	140	2,792	140
	Type 3	20W	2,062	103	2,546	127	2,579	129	2,877	144	2,877	144
	Type 4	20W	1,969	98	2,431	122	2,463	123	2,747	137	2,747	137
	Type 5	20W	1,972	99	2,435	122	2,467	123	2,747	138	2,747	138
LM-BRT	Type 2	40W	4,120	103	5,087	127	5,150	129	5,712	143	5,712	143
	Type 3	40W	4,142	104	5,114	128	5,177	129	5,743	144	5,743	144
	Type 4	40W	4,109	103	5,073	127	5,135	128	5,696	142	5,696	142
	Type 5	40W	4,110	103	5,074	17	5,137	128	5,697	142	5,697	142
LM-BRT	Type 2	60W	6,084	101	7,511	125	7,604	127	8,448	141	8,448	141
	Type 3	60W	6,117	102	7,552	126	7,646	127	8,494	142	8,494	142
	Type 4	60W	6,066	101	7,489	125	7,583	126	8,424	140	8,424	140
	Type 5	60W	6,068	101	7,491	125	7,585	126	8,426	140	8,426	140
LM-BRT	Type 2	80W	7,982	100	9,854	123	9,979	125	11,104	139	11,104	139
	Type 3	80W	8,026	100	9,909	124	10,035	125	11,166	140	11,166	140
	Type 4	80W	7,958	99	9,825	123	9,950	124	11,072	138	11,072	138
	Type 5	80W	7,961	100	9,828	123	9,953	124	11,075	138	11,075	138

**ORDERING INFORMATION**

Lumecon Midtown Post-Top Series  
Example Part Number: LM-BRT-H7632BP-40-1-40-T3-CA-BLK-BL

REQUIRED								OPTIONAL		
MODEL	STYLE	WATTAGE	VOLTAGE	CCT	DISTRIBUTION	LENS	FINISH	PHOTOCELL	HOUSE SIDE SHIELD	DIMMING CONTROLS
LM-BRT	H7610WA	20 - 20 Watts	1 - 120 - 277V	22 - 2200K	T2 - Type II	CA - Clear Acrylic	See Samples Below	PC - Button Eye	BL - Back Light Louvers	FAWS - Field Adjustable Wattage Selector
	H7620CC	40 - 40 Watts	2 - 347 - 480V	27 - 2700K	T3 - Type III	CP - Clear Polycarbonate				
	H7632BP	60 - 60 Watts		30 - 3000K	T4 - Type IV	OA - Opal Acrylic				
		80 - 80 Watts		40 - 4000K	T5 - Type V	OP - Opal Polycarbonate				
				50 - 5000K		PP - Prismatic Polycarbonate				

**Product Style Samples**



**H7610WA**  
H: 35 1/2"  
W: 16"  
Proj: 25 1/8"  
T/O: 26 3/8"



**H7620CC**  
H: 42"  
W: 16"  
Proj: 25 1/8"  
Base: 3" Dia.



**H7632BP**  
H: 30 3/4"  
W: 16"  
EPA: 1.70  
Fitter: 3" Dia.



**Available Finishes**

Standard



Premium





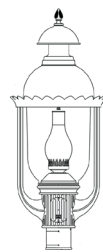


Shown with:  
H61640CH Style  
WA - White Acrylic Lens  
BLK - Black Finish

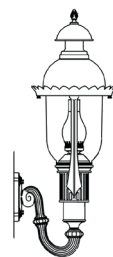
**FEATURES**

- 2200K, 2700K, 3000K, 4000K or 5000K Color Temperatures
- Preprogrammed Wattages available in 20W, 40W and 60W
- 20kA / 40kV Extreme Surge Suppressor
- 7-Pin Receptacle Ready for use with Wireless Control Systems (optional)
- Powered by the Lumecon L-RETRO-T Light Engine
- Enhanced Thermal Dissipation System provides maximum thermal dissipation
- All LEDs are rated for a minimum of 100,000 hours of continuous operation at ambient temperatures from -40°F/-40°C to 115°F/46°C
- 120-277V or 347-480V Input Voltage
- Slip fits over 2 7/8" and 3" OD tenons on most decorative poles. Requires nominal 3" diameter x 2 7/8" tall tenon
- Cast aluminum fitter housing with textured or 60% gloss polyester powder coat finishes for maximum durability
- DLC® qualified lite engine and ETL Listed to UL 1598 / 8750 and CSA 22.2 No. 250 for Wet Locations and BABA / BAA compliant
- 10-Year L70 performance-based warranty

**Product Style Samples**



**H61640CH**  
H: 35 1/2"  
W: 14 1/4"  
EPA: 2.00  
Fitter: 3" Dia.



**H61640FSM**  
H: 41 3/8"  
W: 14 1/4"  
Proj: 17 1/4"  
T/O: 31 1/4"



**PERFORMANCE DATA**

Model	Distribution Type	Watts	2200K		2700K		3000K		4000K		5000K	
			Lumens	Efficacy	Lumens	Efficacy	Lumens	Efficacy	Lumens	Efficacy	Lumens	Efficacy
LM-CAS	Type 2	20W	2,001	100	2,470	124	2,503	125	2,792	140	2,792	140
	Type 3	20W	2,062	103	2,546	127	2,579	129	2,877	144	2,877	144
	Type 4	20W	1,969	98	2,431	122	2,463	123	2,747	137	2,747	137
	Type 5	20W	1,972	99	2,435	122	2,467	123	2,747	138	2,747	138
LM-CAS	Type 2	40W	4,120	103	5,087	127	5,150	129	5,712	143	5,712	143
	Type 3	40W	4,142	104	5,114	128	5,177	129	5,743	144	5,743	144
	Type 4	40W	4,109	103	5,073	127	5,135	128	5,696	142	5,696	142
	Type 5	40W	4,110	103	5,074	127	5,137	128	5,697	142	5,697	142
LM-CAS	Type 2	60W	6,084	101	7,511	125	7,604	127	8,448	141	8,448	141
	Type 3	60W	6,117	102	7,552	126	7,646	127	8,494	142	8,494	142
	Type 4	60W	6,066	101	7,489	125	7,583	126	8,424	140	8,424	140
	Type 5	60W	6,068	101	7,491	125	7,585	126	8,426	140	8,426	140

**ORDERING INFORMATION**

Lumecon Midtown Post-Top Series  
Example Part Number: LM-CAS-H1640CH-40-1-40-T2-WA-BLK-PC-BL

REQUIRED								OPTIONAL		
MODEL	STYLE	WATTAGE	VOLTAGE	CCT	DISTRIBUTION	LENS	FINISH	PHOTOCELL	HOUSE SIDE SHIELD	DIMMING CONTROLS
LM-CAS	H1640CH	20 - 20 Watts	1 - 120v - 277v	22 - 2200K	T2 - Type II	NL - No Lens*	See Samples Below	PC - Button Eye	BL - Back Light Louvers	FAWS - Field Adjustable Wattage Selector
		40 - 40 Watts	2 - 347v - 480v	27 - 2700K	T3 - Type III	CA - Clear Acrylic				
	60 - 60 Watts	30 - 3000K	T4 - Type IV	PA - Prismatic Acrylic						
		40 - 4000K	T5 - Type V	WA - White Acrylic						
		50 - 5000K								
						*Dark Sky Compliant with 3000K, 2700K and 2200K CCT				

**Available Finishes**

Standard



Premium







Shown with:  
H31832BP Style  
OA - Opal Acrylic  
BLK - Black Finish

**FEATURES**

- 2200K, 2700K, 3000K, 4000K or 5000K Color Temperatures
- Preprogrammed Wattages available in 20W, 40W, 60W, and 80W
- 20kA / 40kV Extreme Surge Suppressor
- 7-Pin Receptacle Ready for use with Wireless Control Systems (optional)
- Powered by the Lumecon L-RETRO-T Light Engine
- Enhanced Thermal Dissipation System provides maximum thermal dissipation
- All LEDs are rated for a minimum of 100,000 hours of continuous operation at ambient temperatures from -40°F/-40°C to 115°F/46°C
- Acrylic and Polycarbonate Lens materials available
- 120-277V or 347-480V Input Voltage
- Slip fits over 2 7/8" and 3" OD tenons on most decorative poles. Requires nominal 3" diameter x 2 7/8" tall tenon
- Cast aluminum fitter housing with textured or 60% gloss polyester powder coat finishes for maximum durability
- DLC® qualified lite engine and ETL Listed to UL 1598 / 8750 and CSA 22.2 No. 250 for Wet Locations and BABA / BAA compliant
- 10-Year L70 performance-based warranty

**PERFORMANCE DATA**

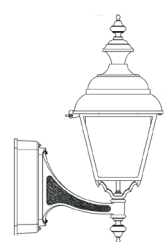
Model	Distribution Type	Watts	2200K		2700K		3000K		4000K		5000K	
			Lumens	Efficacy	Lumens	Efficacy	Lumens	Efficacy	Lumens	Efficacy	Lumens	Efficacy
LM-CLM	Type 2	20W	2,001	100	2,470	124	2,503	125	2,792	140	2,792	140
	Type 3	20W	2,062	103	2,546	127	2,579	129	2,877	144	2,877	144
	Type 4	20W	1,969	98	2,431	122	2,463	123	2,747	137	2,747	137
	Type 5	20W	1,972	99	2,435	122	2,467	123	2,747	138	2,747	138
LM-CLM	Type 2	40W	4,120	103	5,087	127	5,150	129	5,712	143	5,712	143
	Type 3	40W	4,142	104	5,114	128	5,177	129	5,743	144	5,743	144
	Type 4	40W	4,109	103	5,073	127	5,135	128	5,696	142	5,696	142
	Type 5	40W	4,110	103	5,074	127	5,137	128	5,697	142	5,697	142
LM-CLM	Type 2	60W	6,084	101	7,511	125	7,604	127	8,448	141	8,448	141
	Type 3	60W	6,117	102	7,552	126	7,646	127	8,494	142	8,494	142
	Type 4	60W	6,066	101	7,489	125	7,583	126	8,424	140	8,424	140
	Type 5	60W	6,068	101	7,491	125	7,585	126	8,426	140	8,426	140
LM-CLM	Type 2	80W	7,982	100	9,854	123	9,979	125	11,104	139	11,104	139
	Type 3	80W	8,026	100	9,909	124	10,035	125	11,166	140	11,166	140
	Type 4	80W	7,958	99	9,825	123	9,950	124	11,072	138	11,072	138
	Type 5	80W	7,961	100	9,828	123	9,953	124	11,075	138	11,075	138

**ORDERING INFORMATION**

Lumecon Midtown Post-Top Series  
Example Part Number: LM-CLM-H31832BP-40-1-40-T3-CA-BLK-PC-BL

REQUIRED								OPTIONAL		
MODEL	STYLE	WATTAGE	VOLTAGE	CCT	DISTRIBUTION	LENS	FINISH	PHOTOCELL	HOUSE SIDE SHIELD	DIMMING CONTROLS
LM-CLM	H31810WA	20 - 20 Watts	1 - 120 - 277V	22 - 2200K	T2 - Type II	CA - Clear Acrylic	See Samples Below	PC - Button Eye	BL - Back Light Louvers	FAWS - Field Adjustable Wattage Selector
	H31820CC	40 - 40 Watts	2 - 347 - 480V	27 - 2700K	T3 - Type III	CP - Clear Polycarbonate				
	H31832BP	60 - 60 Watts		30 - 3000K	T4 - Type IV	OA - Opal Acrylic				
		80 - 80 Watts		40 - 4000K	T5 - Type V	OP - Opal Polycarbonate				
				50 - 5000K		PP - Prismatic Polycarbonate				

**Product Style Samples**



**H31810WA**  
H: 37"  
W: 14 3/4"  
Proj: 19 1/2"  
T/O: 28 1/2"



**H31820CC**  
H: 41 5/8"  
W: 14 3/4"  
Base Dia: 8"



**H31832BP**  
H: 32 5/8"  
W: 14 3/4"  
EPA: 1.66  
Fitter: 3" Dia.

**Available Finishes**

Standard



Premium







Shown with:  
H8432BP Style  
Black Finish  
OA - Opal Acrylic Lens

**FEATURES**

- 2200K, 2700K, 3000K, 4000K or 5000K Color Temperatures
- Preprogrammed Wattages available in 20W, 40W, 60W, and 80W
- 20kA / 40kV Extreme Surge Suppressor
- 7-Pin Receptacle Ready for use with Wireless Control Systems (optional)
- Powered by the Lumecon L-RETRO-T Light Engine
- Enhanced Thermal Dissipation System provides maximum thermal dissipation
- All LEDs are rated for a minimum of 100,000 hours of continuous operation at ambient temperatures from -40°F/-40°C to 115°F/46°C
- Acrylic and Polycarbonate Lens materials available
- 120-277V or 347-480V Input Voltage
- Slip fits over 2 7/8" and 3" OD tenons on most decorative poles. Requires nominal 3" diameter x 2 7/8" tall tenon
- Cast aluminum fitter housing with textured or 60% gloss polyester powder coat finishes for maximum durability
- DLC® qualified lite engine and ETL Listed to UL 1598 / 8750 and CSA 22.2 No. 250 for Wet Locations and BABA / BAA compliant
- 10-Year L70 performance-based warranty

**PERFORMANCE DATA**

Model	Distribution Type	Watts	2200K		2700K		3000K		4000K		5000K	
			Lumens	Efficacy	Lumens	Efficacy	Lumens	Efficacy	Lumens	Efficacy	Lumens	Efficacy
LM-ELM	Type 2	20W	2,001	100	2,470	124	2,503	125	2,792	140	2,792	140
	Type 3	20W	2,062	103	2,546	127	2,579	129	2,877	144	2,877	144
	Type 4	20W	1,969	98	2,431	122	2,463	123	2,747	137	2,747	137
	Type 5	20W	1,972	99	2,435	122	2,467	123	2,747	138	2,747	138
LM-ELM	Type 2	40W	4,120	103	5,087	127	5,150	129	5,712	143	5,712	143
	Type 3	40W	4,142	104	5,114	128	5,177	129	5,743	144	5,743	144
	Type 4	40W	4,109	103	5,073	127	5,135	128	5,696	142	5,696	142
	Type 5	40W	4,110	103	5,074	127	5,137	128	5,697	142	5,697	142
LM-ELM	Type 2	60W	6,084	101	7,511	125	7,604	127	8,448	141	8,448	141
	Type 3	60W	6,117	102	7,552	126	7,646	127	8,494	142	8,494	142
	Type 4	60W	6,066	101	7,489	125	7,583	126	8,424	140	8,424	140
	Type 5	60W	6,068	101	7,491	125	7,585	126	8,426	140	8,426	140
LM-ELM	Type 2	80W	7,982	100	9,854	123	9,979	125	11,104	139	11,104	139
	Type 3	80W	8,026	100	9,909	124	10,035	125	11,166	140	11,166	140
	Type 4	80W	7,958	99	9,825	123	9,950	124	11,072	138	11,072	138
	Type 5	80W	7,961	100	9,828	123	9,953	124	11,075	138	11,075	138

**ORDERING INFORMATION**

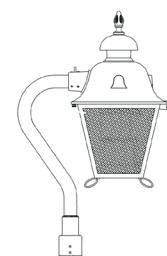
Lumecon Midtown Post-Top Series  
Example Part Number: LM-ELM-H8432BP-40-1-40-T3-CA-BLK-BL

REQUIRED								OPTIONAL		
MODEL	STYLE	WATTAGE	VOLTAGE	CCT	DISTRIBUTION	LENS	FINISH	PHOTOCELL	HOUSE SIDE SHIELD	DIMMING CONTROLS
LM-ELM	H8432BP	20 - 20 Watts	1 - 120 - 277V	22 - 2200K	T2 - Type II	CA - Clear Acrylic	See Samples Below	PC - Button Eye	BL - Back Light Louvers	FAWS - Field Adjustable Wattage Selector
	H8437IB	40 - 40 Watts	2 - 347 - 480V	27 - 2700K	T3 - Type III	CP - Clear Polycarbonate				
	H8410WA	60 - 60 Watts	40 - 4000K	30 - 3000K	T4 - Type IV	OA - Opal Acrylic				
		80 - 80 Watts		50 - 5000K	T5 - Type V	OP - Opal Polycarbonate PP - Prismatic Polycarbonate				

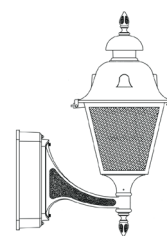
**Product Style Samples**



**H8432BP**  
H: 31"  
W: 14 3/4"  
EPA: 1.22  
Fitter: 3" Dia.



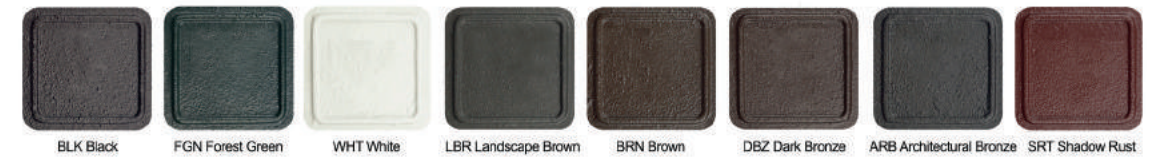
**H8437IB**  
H: 38 1/2"  
W: 14 3/4"  
W with Arm: 24 1/8"  
EPA: 2.40  
Fitter: 3" Dia.



**H8410WA**  
H: 35 5/8"  
W: 14 3/4"  
Proj: 19 1/2"  
T/O: 25 5/8"

**Available Finishes**

Standard



Premium







Shown with:  
H28632BP Style  
Verde Finish  
OA - Opal Acrylic Lens

**FEATURES**

- 2200K, 2700K, 3000K, 4000K or 5000K Color Temperatures
- Preprogrammed Wattages available in 35W, 45W and 55W
- 20kA / 40kV Extreme Surge Suppressor
- 7-Pin Receptacle Ready for use with Wireless Control Systems (optional)
- Powered by the Lumecon L-RETRO-DG Light Engine
- Enhanced Thermal Dissipation System provides maximum thermal dissipation
- All LEDs are rated for a minimum of 100,000 hours of continuous operation at ambient temperatures from -40°F/-40°C to 115°F/46°C
- Acrylic and Polycarbonate Lens materials available
- 120-277V or 347-480V Input Voltage
- Slip fits over 2 7/8" and 3" OD tenons on most decorative poles. Requires nominal 3" diameter x 2 7/8" tall tenon
- Cast aluminum fitter housing with textured or 60% gloss polyester powder coat finishes for maximum durability
- DLC® qualified lite engine and ETL Listed to UL 1598 / 8750 and CSA 22.2 No. 250 for Wet Locations and BABA / BAA compliant
- 10-Year L70 performance-based warranty

**PERFORMANCE DATA**

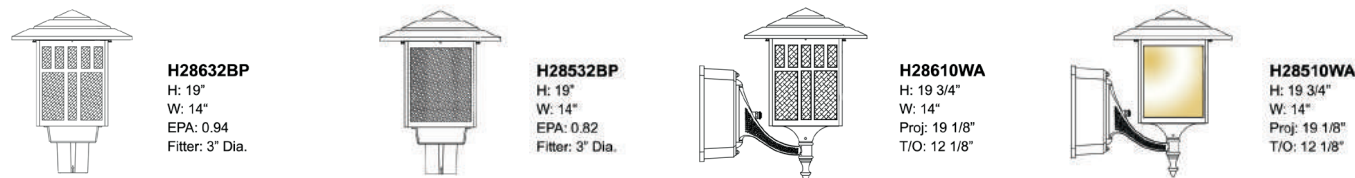
Model	Distribution Type	Watts	2200K		2700K		3000K		4000K		5000K	
			Lumens	Efficacy	Lumens	Efficacy	Lumens	Efficacy	Lumens	Efficacy	Lumens	Efficacy
LM-FRS	Type 4	35W	3,446	98	4,270	122	4,305	123	4,795	137	2,747	137
	Type 5	35W	3,452	99	4,270	122	4,305	123	4,830	138	2,752	138
LM-FRS	Type 4	45W	4,623	103	5,715	127	5,760	128	6,390	142	5,696	142
	Type 5	45W	4,624	103	5,715	127	5,760	128	6,390	142	5,697	142
LM-FRS	Type 4	55W	5,561	101	6,875	125	6,930	126	7,700	140	8,424	140
	Type 5	55W	5,562	101	6,875	125	6,930	126	7,700	140	8,426	140

**ORDERING INFORMATION**

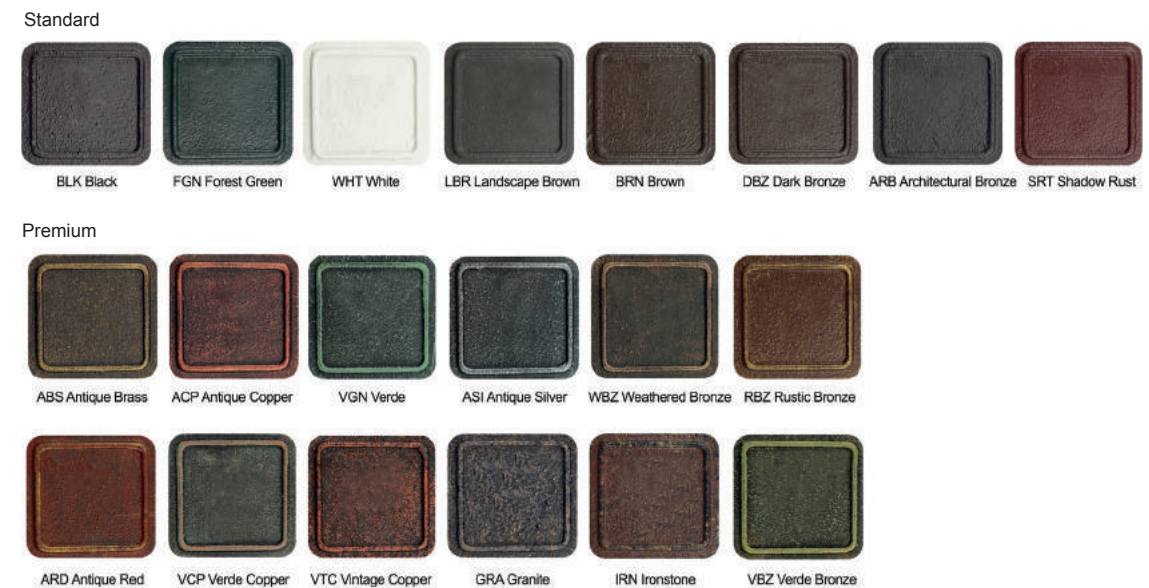
Lumecon Midtown Post-Top Series  
Example Part Number: LM-FRS-H28632BP-45-1-40-T4-CA-BLK-PC-32-00123

REQUIRED								OPTIONAL		
MODEL	STYLE	WATTAGE	VOLTAGE	CCT	DISTRIBUTION	LENS	FINISH	PHOTOCELL	HOUSE SIDE SHIELD	DIMMING CONTROLS
LM-FRS	H28632BP	35 - 35 Watts	1 - 120v - 277v	22 - 2200K	T4 - Type IV	CA - Clear Acrylic	See Samples Below	PC - Button Eye	32-00123 - House Side Shield	FAWS - Field Adjustable Wattage Selector
	H28532BP	45 - 45 Watts	2 - 347v - 480v	27 - 2700K	T5 - Type V	CP - Clear Polycarbonate				
	H28610WA	55 - 55 Watts		30 - 3000K		OA - Opal Acrylic				
	H28510WA			40 - 4000K		OP - Opal Polycarbonate				
				50 - 5000K		PP - Prismatic Polycarbonate				

**Product Style Samples**



**Available Finishes**







**FEATURES**

- 2200K, 2700K, 3000K, 4000K or 5000K Color Temperatures
- Preprogrammed Wattages available in 35W, 45W and 55W
- 20kA / 40kV Extreme Surge Suppressor
- 7-Pin Receptacle Ready for use with Wireless Control Systems (optional)
- Powered by the Lumecon L-RETRO-DG Light Engine
- Enhanced Thermal Dissipation System provides maximum thermal dissipation
- All LEDs are rated for a minimum of 100,000 hours of continuous operation at ambient temperatures from -40°F/-40°C to 115°F/46°C
- Acrylic and Polycarbonate Lens materials available
- 120-277V or 347-480V Input Voltage
- Slip fits over 2 7/8" and 3" OD tenons on most decorative poles. Requires nominal 3" diameter x 2 7/8" tall tenon
- Cast aluminum fitter housing with textured or 60% gloss polyester powder coat finishes for maximum durability
- DLC® qualified lite engine and ETL Listed to UL 1598 / 8750 and CSA 22.2 No. 250 for Wet Locations and BABA / BAA compliant
- 10-Year L70 performance-based warranty

**PERFORMANCE DATA**

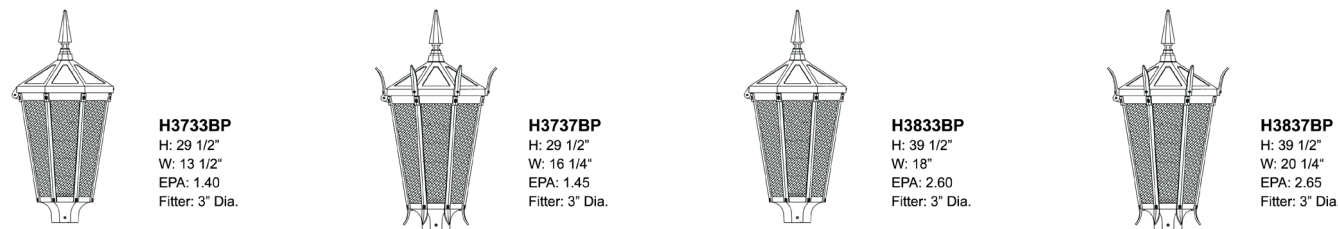
Model	Distribution Type	Watts	2200K		2700K		3000K		4000K		5000K	
			Lumens	Efficacy	Lumens	Efficacy	Lumens	Efficacy	Lumens	Efficacy	Lumens	Efficacy
LM-MAJ	Type 4	35W	3,446	98	4,270	122	4,305	123	4,795	137	2,747	137
	Type 5	35W	3,452	99	4,270	122	4,305	123	4,830	138	2,752	138
LM-MAJ	Type 4	45W	4,623	103	5,715	127	5,760	128	6,390	142	5,696	142
	Type 5	45W	4,624	103	5,715	127	5,760	128	6,390	142	5,697	142
LM-MAJ	Type 4	55W	5,561	101	6,875	125	6,930	126	7,700	140	8,424	140
	Type 5	55W	5,562	101	6,875	125	6,930	126	7,700	140	8,426	140

**ORDERING INFORMATION**

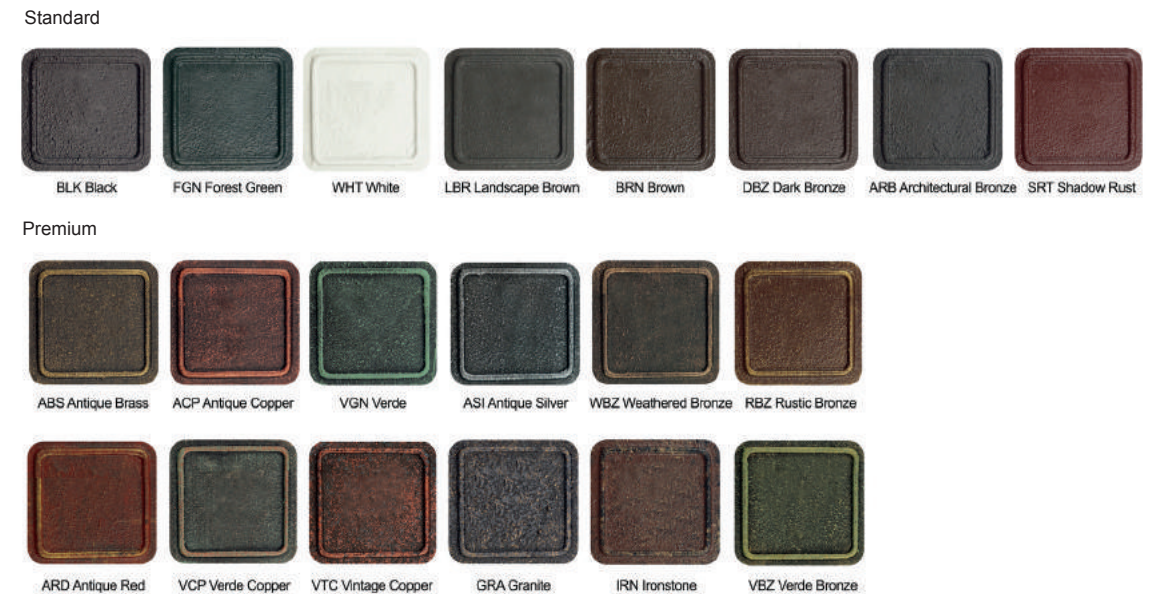
Lumecon Midtown Post-Top Series  
 Example Part Number: LM-MAJ-H3837BP-45-1-40-T4-CA-BLK-PC-BL

REQUIRED								OPTIONAL		
MODEL	STYLE	WATTAGE	VOLTAGE	CCT	DISTRIBUTION	LENS	FINISH	PHOTOCELL	HOUSE SIDE SHIELD	DIMMING CONTROLS
LM-MAJ	H3733BP	35 - 35 Watts	1 - 120v - 277v	22 - 2200K	T4 - Type IV	CA - Clear Acrylic	See Samples Below	PC - Button Eye	BL - Back Light Louvers	FAWS - Field Adjustable Wattage Selector
	H3737BP	45 - 45 Watts	2 - 347v - 480v	27 - 2700K	T5 - Type V	CP - Clear Polycarbonate				
	H3833BP	55 - 55 Watts		30 - 3000K		OA - Opal Acrylic				
	H3838BP			40 - 4000K		OP - Opal Polycarbonate				
				50 - 5000K		PP - Prismatic Polycarbonate				

**Product Style Samples**



**Available Finishes**







Shown with:  
H1630CH Style  
Black Finish  
CA - Clear Acrylic

**FEATURES**

- 2200K, 2700K, 3000K, 4000K or 5000K Color Temperatures
- Preprogrammed Wattages available in 20W, 40W, 60W and 80W
- 20kA / 40kV Extreme Surge Suppressor
- 7-Pin Receptacle Ready for use with Wireless Control Systems (optional)
- Powered by the Lumecon L-RETRO-T Light Engine
- Enhanced Thermal Dissipation System provides maximum thermal dissipation
- All LEDs are rated for a minimum of 100,000 hours of continuous operation at ambient temperatures from -40°F/-40°C to 115°F/46°C
- 120-277V or 347-480V Input Voltage
- Slip fits over 2 7/8" and 3" OD tenons on most decorative poles. Requires nominal 3" diameter x 2 7/8" tall tenon
- Cast aluminum fitter housing with textured or 60% gloss polyester powder coat finishes for maximum durability
- DLC® qualified lite engine and ETL Listed to UL 1598 / 8750 and CSA 22.2 No. 250 for Wet Locations and BABA / BAA compliant
- 10-Year L70 performance-based warranty

**PERFORMANCE DATA**

Model	Distribution Type	Watts	2200K		2700K		3000K		4000K		5000K	
			Lumens	Efficacy	Lumens	Efficacy	Lumens	Efficacy	Lumens	Efficacy	Lumens	Efficacy
LM-MCK	Type 2	20W	2,001	100	2,470	124	2,503	125	2,792	140	2,792	140
	Type 3	20W	2,062	103	2,546	127	2,579	129	2,877	144	2,877	144
	Type 4	20W	1,969	98	2,431	122	2,463	123	2,747	137	2,747	137
	Type 5	20W	1,972	99	2,435	122	2,467	123	2,747	138	2,747	138
LM-MCK	Type 2	40W	4,120	103	5,087	127	5,150	129	5,712	143	5,712	143
	Type 3	40W	4,142	104	5,114	128	5,177	129	5,743	144	5,743	144
	Type 4	40W	4,109	103	5,073	127	5,135	128	5,696	142	5,696	142
	Type 5	40W	4,110	103	5,074	17	5,137	128	5,697	142	5,697	142
LM-MCK	Type 2	60W	6,084	101	7,511	125	7,604	127	8,448	141	8,448	141
	Type 3	60W	6,117	102	7,552	126	7,646	127	8,494	142	8,494	142
	Type 4	60W	6,066	101	7,489	125	7,583	126	8,424	140	8,424	140
	Type 5	60W	6,068	101	7,491	125	7,585	126	8,426	140	8,426	140
LM-MCK	Type 2	80W	7,982	100	9,854	123	9,979	125	11,104	139	11,104	139
	Type 3	80W	8,026	100	9,909	124	10,035	125	11,166	140	11,166	140
	Type 4	80W	7,958	99	9,825	123	9,950	124	11,072	138	11,072	138
	Type 5	80W	7,961	100	9,828	123	9,953	124	11,075	138	11,075	138

**ORDERING INFORMATION**

Lumecon Midtown Post-Top Series  
Example Part Number: LM-MCK-H1630CH-45-1-40-T2-WA-BLK-PC-BL

REQUIRED								OPTIONAL		
MODEL	STYLE	WATTAGE	VOLTAGE	CCT	DISTRIBUTION	LENS	FINISH	PHOTOCELL	HOUSE SIDE SHIELD	DIMMING CONTROLS
LM-MCK	H1630CH	20 - 20 Watts	1 - 120v - 277v	22 - 2200K	T2 - Type II	CA - Clear Acrylic	See Samples Below	PC - Button Eye	BL - Back Light Louvers	FAWS - Field Adjustable Wattage Selector
		40 - 40 Watts	2 - 347v - 480v	27 - 2700K	T3 - Type III	PA - Prismatic Acrylic				
		60 - 60 Watts		30 - 3000K	T4 - Type IV	WA - White Acrylic				
		80 - 80 Watts		40 - 4000K	T5 - Type V					
				50 - 5000K						

**Product Style Samples**



**H1630CH**  
H: 49 3/4"  
W: 17 1/2"  
EPA: 2.60  
Filter: 3" Dia.

**Available Finishes**

Standard



Premium







Shown with:  
H5534BP Style  
CL - Clear Acrylic Lens  
FGN - Forest Green Finish

**FEATURES**

- 2200K, 2700K, 3000K, 4000K or 5000K Color Temperatures
- Preprogrammed Wattages available in 20W, 40W and 60W
- 20kA / 40kV Extreme Surge Suppressor
- 7-Pin Receptacle Ready for use with Wireless Control Systems (optional)
- Powered by the Lumecon L-RETRO-T Light Engine
- Enhanced Thermal Dissipation System provides maximum thermal dissipation
- All LEDs are rated for a minimum of 100,000 hours of continuous operation at ambient temperatures from -40°F/-40°C to 115°F/46°C
- Acrylic and Polycarbonate Lens materials available
- 120-277V or 347-480V Input Voltage
- Slip fits over 2 7/8" and 3" OD tenons on most decorative poles. Requires nominal 3" diameter x 2 7/8" tall tenon
- Cast aluminum fitter housing with textured or 60% gloss polyester powder coat finishes for maximum durability
- DLC® qualified lite engine and ETL Listed to UL 1598 / 8750 and CSA 22.2 No. 250 for Wet Locations and BABA / BAA compliant
- 10-Year L70 performance-based warranty

**PERFORMANCE DATA**

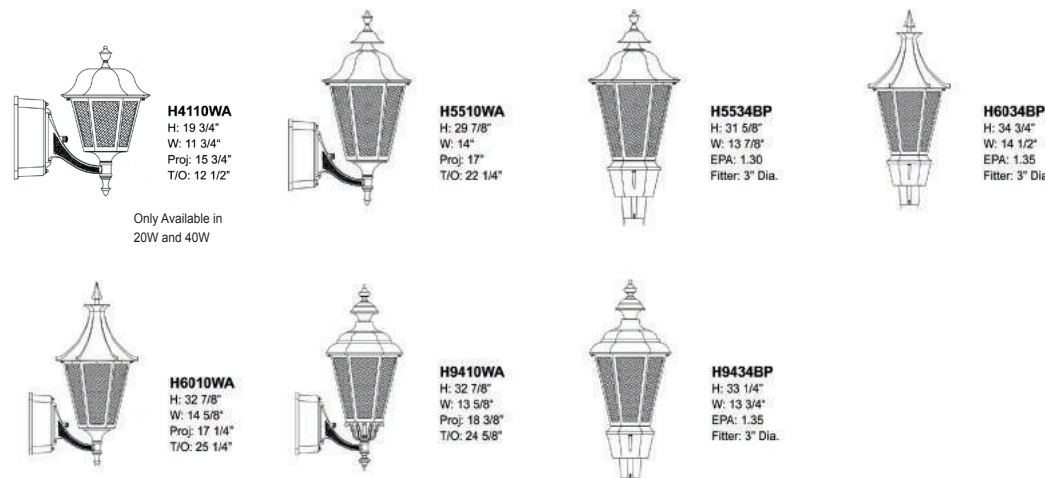
Model	Distribution Type	Watts	2200K		2700K		3000K		4000K		5000K	
			Lumens	Efficacy	Lumens	Efficacy	Lumens	Efficacy	Lumens	Efficacy	Lumens	Efficacy
LM-MDN	Type 2	20W	2,001	100	2,470	124	2,503	125	2,792	140	2,792	140
	Type 3	20W	2,062	103	2,546	127	2,579	129	2,877	144	2,877	144
	Type 4	20W	1,969	98	2,431	122	2,463	123	2,747	137	2,747	137
	Type 5	20W	1,972	99	2,435	122	2,467	123	2,747	138	2,747	138
LM-MDN	Type 2	40W	4,120	103	5,087	127	5,150	129	5,712	143	5,712	143
	Type 3	40W	4,142	104	5,114	128	5,177	129	5,743	144	5,743	144
	Type 4	40W	4,109	103	5,073	127	5,135	128	5,696	142	5,696	142
	Type 5	40W	4,110	103	5,074	127	5,137	128	5,697	142	5,697	142
LM-MDN	Type 2	60W	6,084	101	7,511	125	7,604	127	8,448	141	8,448	141
	Type 3	60W	6,117	102	7,552	126	7,646	127	8,494	142	8,494	142
	Type 4	60W	6,066	101	7,489	125	7,583	126	8,424	140	8,424	140
	Type 5	60W	6,068	101	7,491	125	7,585	126	8,426	140	8,426	140

**ORDERING INFORMATION**

Lumecon Midtown Post-Top Series  
Example Part Number: LM-MDN-H5534BP-40-1-40-T3-NL-BLK-PC-BL

REQUIRED								OPTIONAL		
MODEL	STYLE	WATTAGE	VOLTAGE	CCT	DISTRIBUTION	LENS	FINISH	PHOTOCELL	HOUSE SIDE SHIELD	DIMMING CONTROLS
LM-MDN	H4110WA	20 - 20 Watts	1 - 120v - 277v	22 - 2200K	T2 - Type II	NL - No Lens	See Samples Below	PC - Button Eye	BL - Back Light Louvers	FAWS - Field Adjustable Wattage Selector
	H5110WA	40 - 40 Watts	2 - 347v - 480v	27 - 2700K	T3 - Type III	CA - Clear Acrylic				
	H5534BP	60 - 60 Watts		30 - 3000K	T4 - Type IV	OA - Opal Acrylic				
	H6034BP			40 - 4000K	T5 - Type V	PP - Prismatic Polycarbonate				
	H6010WA			50 - 5000K						
	H9410WA									
	H9434BP									

**Product Style Samples**



**Available Finishes**







Shown with:  
H14430BP Style  
CA - Clear Acrylic Lens  
SRT - Shadow Rust Finish

**FEATURES**

- 2200K, 2700K, 3000K, 4000K or 5000K Color Temperatures
- Preprogrammed Wattages available in 35W, 45W and 55W
- 20kA / 40kV Extreme Surge Suppressor
- 7-Pin Receptacle Ready for use with Wireless Control Systems (optional)
- Powered by the Lumecon L-RETRO-DG Light Engine
- Enhanced Thermal Dissipation System provides maximum thermal dissipation
- All LEDs are rated for a minimum of 100,000 hours of continuous operation at ambient temperatures from -40°F/-40°C to 115°F/46°C
- Acrylic and Polycarbonate Lens materials available
- 120-277V or 347-480V Input Voltage
- Slip fits over 2 7/8" and 3" OD tenons on most decorative poles. Requires nominal 3" diameter x 2 7/8" tall tenon
- Cast aluminum fitter housing with textured or 60% gloss polyester powder coat finishes for maximum durability
- DLC® qualified lite engine and ETL Listed to UL 1598 / 8750 and CSA 22.2 No. 250 for Wet Locations and BABA / BAA compliant
- 10-Year L70 performance-based warranty

**PERFORMANCE DATA**

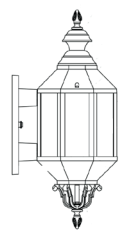
Model	Distribution Type	Watts	2200K		2700K		3000K		4000K		5000K	
			Lumens	Efficacy	Lumens	Efficacy	Lumens	Efficacy	Lumens	Efficacy	Lumens	Efficacy
LM-MON	Type 4	35W	3,446	98	4,270	122	4,305	123	4,795	137	2,747	137
	Type 5	35W	3,452	99	4,270	122	4,305	123	4,830	138	2,752	138
LM-MON	Type 4	45W	4,623	103	5,715	127	5,760	128	6,390	142	5,696	142
	Type 5	45W	4,624	103	5,715	127	5,760	128	6,390	142	5,697	142
LM-MON	Type 4	55W	5,561	101	6,875	125	6,930	126	7,700	140	8,424	140
	Type 5	55W	5,562	101	6,875	125	6,930	126	7,700	140	8,426	140

**ORDERING INFORMATION**

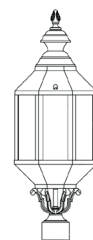
Lumecon Midtown Post-Top Series  
Example Part Number: LM-MON-H14430BP-45-1-40-CA-BLK-PC-32-00123

REQUIRED								OPTIONAL		
MODEL	STYLE	WATTAGE	VOLTAGE	CCT	DISTRIBUTION	LENS	FINISH	PHOTOCELL	HOUSE SIDE SHIELD	DIMMING CONTROLS
LM-MON	H14209IB	35 - 35 Watts	1 - 120v - 277v	22 - 2200K	T4 - Type IV	CA - Clear Acrylic	See Samples Below	PC - Button Eye	32-00123 - House Side Shield	FAWS - Field Adjustable Wattage Selector
	H14230BP	45 - 45 Watts	2 - 347v - 480v	27 - 2700K	T5 - Type V	CP - Clear Polycarbonate				
	H14409IB	55 - 55 Watts		30 - 3000K		OA - Opal Acrylic				
	H14430BP			40 - 4000K		OP - Opal Polycarbonate				
			50 - 5000K		PP - Prismatic Polycarbonate					

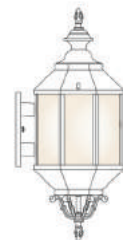
**Product Style Samples**



**H14209IB**  
H: 27"  
W: 10"  
Proj: 12 3/4"  
T/O: 14 1/2"



**H14230BP**  
H: 28 1/4"  
W: 10"  
EPA: 1.15"  
Fitter: 3" Dia.



**H14409IB**  
H: 39 1/2"  
W: 15"  
Proj: 18"  
T/O: 20 1/2"



**H14430BP**  
H: 40"  
W: 15"  
EPA: 2.28  
Fitter: 3" Dia.

**Available Finishes**

Standard



Premium



L-RETRO-DG LIGHT ENGINE







Shown with:  
H9963BP Style  
PP - Prismatic Polycarbonate Lens  
BLK - Black Finish

**FEATURES**

- 2200K, 2700K, 3000K, 4000K or 5000K Color Temperatures
- Preprogrammed Wattages available in 20W and 40W
- 20kA / 40kV Extreme Surge Suppressor
- 7-Pin Receptacle Ready for use with Wireless Control Systems (optional)
- Powered by the Lumecon L-RETRO-T Light Engine
- Enhanced Thermal Dissipation System provides maximum thermal dissipation
- All LEDs are rated for a minimum of 100,000 hours of continuous operation at ambient temperatures from -40°F/-40°C to 115°F/46°C
- Acrylic and Polycarbonate Lens materials available
- 120-277V or 347-480V Input Voltage
- Slip fits over 2 7/8" and 3" OD tenons on most decorative poles. Requires nominal 3" diameter x 2 7/8" tall tenon
- Cast aluminum fitter housing with textured or 60% gloss polyester powder coat finishes for maximum durability
- DLC® qualified lite engine and ETL Listed to UL 1598 / 8750 and CSA 22.2 No. 250 for Wet Locations and BABA / BAA compliant
- 10-Year L70 performance-based warranty

**PERFORMANCE DATA**

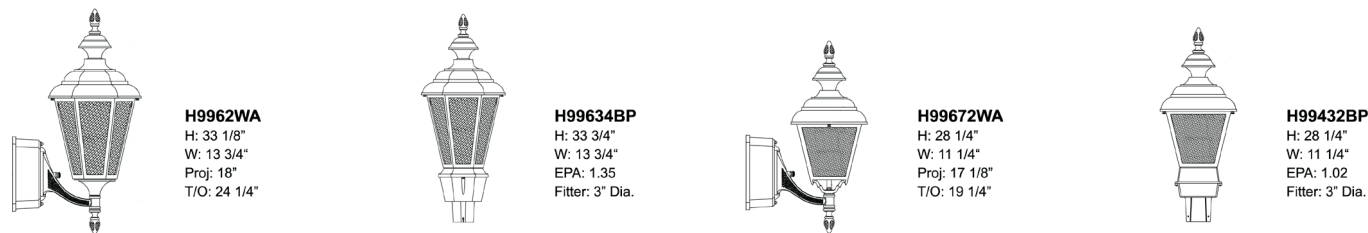
Model	Distribution Type	Watts	2200K		2700K		3000K		4000K		5000K	
			Lumens	Efficacy	Lumens	Efficacy	Lumens	Efficacy	Lumens	Efficacy	Lumens	Efficacy
LM-SCH	Type 2	20W	2,001	100	2,470	124	2,503	125	2,792	140	2,792	140
	Type 3	20W	2,062	103	2,546	127	2,579	129	2,877	144	2,877	144
	Type 4	20W	1,969	98	2,431	122	2,463	123	2,747	137	2,747	137
	Type 5	20W	1,972	99	2,435	122	2,467	123	2,747	138	2,747	138
LM-SCH	Type 2	40W	4,120	103	5,087	127	5,150	129	5,712	143	5,712	143
	Type 3	40W	4,142	104	5,114	128	5,177	129	5,743	144	5,743	144
	Type 4	40W	4,109	103	5,073	127	5,135	128	5,696	142	5,696	142
	Type 5	40W	4,110	103	5,074	17	5,137	128	5,697	142	5,697	142

**ORDERING INFORMATION**

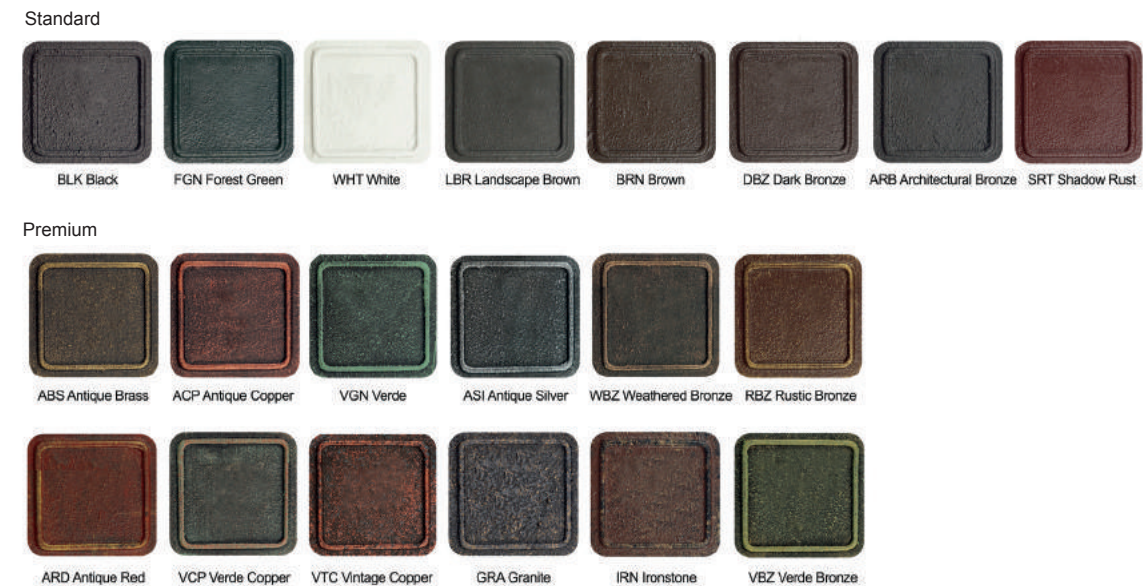
Lumecon Midtown Post-Top Series  
Example Part Number: LM-SCH-H99432BP-40-1-40-T3-CA-BLK-PC-BL

REQUIRED								OPTIONAL		
MODEL	STYLE	WATTAGE	VOLTAGE	CCT	DISTRIBUTION	LENS	FINISH	PHOTOCELL	HOUSE SIDE SHIELD	DIMMING CONTROLS
LM-SCH	H9962WA	20 - 20 Watts	1 - 120v - 277v	22 - 2200K	T2 - Type II	CA - Clear Acrylic	See Samples Below	PC - Button Eye	BL - Back Light Louvers	FAWS - Field Adjustable Wattage Selector
	H99634BP	40 - 40 Watts	2 - 347v - 480v	27 - 2700K	T3 - Type III	CP - Clear Polycarbonate				
	H9972WA			30 - 3000K	T4 - Type IV	OA - Opal Acrylic				
	H99432BP			40 - 4000K	T5 - Type V	OP - Opal Polycarbonate				
				50 - 5000K		PP - Prismatic Polycarbonate				

**Product Style Samples**



**Available Finishes**







Shown with:  
WA - White Acrylic  
BK - Black Finish

**FEATURES**

- 2200K, 2700K, 3000K, 4000K or 5000K Color Temperatures
- Preprogrammed Wattages available in 45W, 65W and 90W
- 20kA / 40kV Extreme Surge Suppressor
- 7-Pin Receptacle Ready for use with Wireless Control Systems (optional)
- Powered by the Lumecon L-RETRO-T Light Engine
- Enhanced Thermal Dissipation System provides maximum thermal dissipation
- All LEDs are rated for a minimum of 100,000 hours of continuous operation at ambient temperatures from -40°F/-40°C to 115°F/46°C
- 120-277V or 347-480V Input Voltage
- Slip fits over 2 7/8" and 3" OD tenons on most decorative poles. Requires nominal 3" diameter x 2 7/8" tall tenon
- Cast aluminum fitter housing with textured or 60% gloss polyester powder coat finishes for maximum durability
- DLC® qualified lite engine and ETL Listed to UL 1598 / 8750 and CSA 22.2 No. 250 for Wet Locations and BABA / BAA compliant
- 10-Year L70 performance-based warranty



**PERFORMANCE DATA**

Model	Distribution Type	Watts	2200K		2700K		3000K		4000K		5000K	
			Lumens	Efficacy	Lumens	Efficacy	Lumens	Efficacy	Lumens	Efficacy	Lumens	Efficacy
LM-TRM-45	Type 2	45W	4,452	101	4,925	111	5,295	120	5,413	122	5,641	128
	Type 3	45W	4,602	104	5,901	115	5,449	123	5,596	127	5,831	132
	Type 4	45W	4,106	93	5,239	118	5,499	124	5,759	130	6,001	136
	Type 5	45W	4,779	108	5,287	120	5,337	121	5,812	131	6,519	137
LM-TRM-65	Type 2	65W	5,892	94	6,519	104	6,780	108	7,166	114	7,467	119
	Type 3	65W	6,091	97	6,739	108	7,213	115	7,408	118	7,944	127
	Type 4	65W	6,278	100	6,935	111	7,279	116	7,624	123	8,017	128
	Type 5	65W	6,326	101	6,780	112	7,279	116	7,693	123	8,017	128
LM-TRM-90	Type 2	90W	9,923	109	10,979	121	11,418	126	11,986	133	12,575	139
	Type 3	90W	10,259	113	11,350	125	12,147	134	12,400	138	13,378	148
	Type 4	90W	10,550	117	11,680	129	12,259	135	12,912	142	13,501	149
	Type 5	90W	10,605	118	11,813	130	12,224	135	12,877	143	13,500	149

**ORDERING INFORMATION**

Lumecon Midtown Post-Top Series  
Example Part Number: LM-TRM-65-1-27-T5-NL-BK-PC-BL

MODEL	WATTAGE	VOLTAGE	REQUIRED				OPTIONAL	
			CCT	DISTRIBUTION	LENS	FINISH	PHOTOCELL	HOUSE SIDE SHIELD
LM-TRM	45 - 45 Watts	1 - 120-277V	22 - 2200K	T2 - Type II	NL - No Lens	BK - Black Gloss	PC - Button Eye	BL - Back Light Louvers
	65 - 65 Watts		27 - 2700K	T3 - Type III	CA - Clear Acrylic	BT - Black Textured		
	90 - 90 Watts	30 - 3000K	T4 - Type IV	PA - Prismatic Acrylic	DB - Dark Bronze			
		40 - 4000K	T5 - Type V	WA - White Acrylic	GN - Green			
		50 - 5000K						
					<b>Premium Finishes</b>			
					WH - White Gloss			
					CF - Custom Finish			



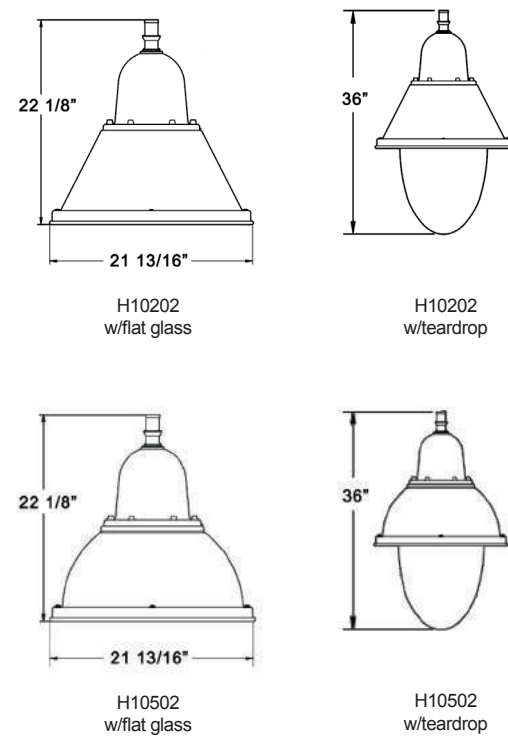


Shown with:  
H10502 Style  
BLK Black Finish  
FG - Flat Glass Lens  
27-00179 Single Bent Bracket Arm

**FEATURES**

- 2200K, 2700K, 3000K, 4000K or 5000K Color Temperatures
- 20kA / 40kV Extreme Surge Suppressor
- Powered by the Lumecon L-RETRO-T Light Engine
- Enhanced Thermal Dissipation System provides maximum thermal dissipation
- All LEDs are rated for a minimum of 100,000 hours of continuous operation at ambient temperatures from -40°F/-40°C to 115°F/46°C
- 120-277V or 347-480V Input Voltage
- Die-cast aluminum fitter housing with textured or 60% gloss polyester powder coat finishes for maximum durability
- DLC® qualified lite engine and ETL Listed to UL 1598 / 8750 and CSA 22.2 No. 250 for Wet Locations and BABA / BAA compliant
- 10-Year L70 performance-based warranty

*For Lumen Packages see current spec sheet*



**ORDERING INFORMATION**

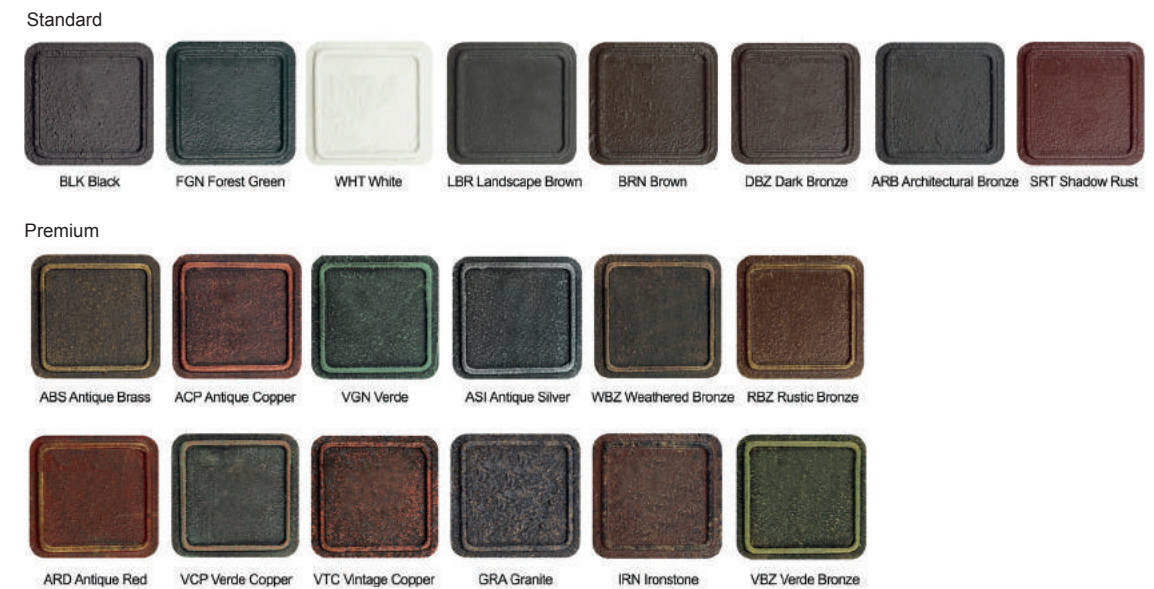
LMTD-HS Options / Ordering Example: LMTD-HS-H10502-40-DB-T3-FG-1-40

MODEL	STYLE	WATTAGE	PAINT COLOR	DISTRIBUTION	LENS	VOLTAGE	CCT
LMTD-HS	H10202	20 - 20 Watts	See Samples Below	T2 - Type II	FG - Flat Glass	1 - 120-277V	22 - 2200K
	H10502	30 - 30 Watts		T3 - Type III	TD - Tear Drop	2 - 347-480V	27 - 2700K
		40 - 40 Watts		T4 - Type IV	30 - 3000K		
		50 - 50 Watts		T5 - Type V	40 - 4000K		
		60 - 60 Watts		50 - 5000K			
		70 - 70 Watts					
		80 - 80 Watts					
		90 - 90 Watts					
		100 - 100 Watts					
		110 - 110 Watts					

**Options & Accessories**

- PC1 - 120v-277v Twist Lock PhotoCell (10-year warranty)
- PC2 - 347v-480v Twist Lock PhotoCell (10-year warranty)
- DIM4 - 105-305 VAC, 50/60 Hz with ten position field adjustable selector switch
- DIM4-HV - High Voltage 312-530 VAC, 50/60 Hz with ten position field adjustable selector switch
- DIM4-CD - Constant all-night Dimming
- DIM4-CD-HV - Constant all-night Dimming, 315-530 VAC 50/60Hz
- DIM4-CUL - 120 VAC, 50/60 Hz, cUL-certified version with gray cover
- DIM4-ALC - Adaptive Lighting Control with a 2% per year incremental increase to compensate for an aging fixture
- DIM3-XX - Factory set dimming schedule (10 position selector switch not available)

**Available Finishes**





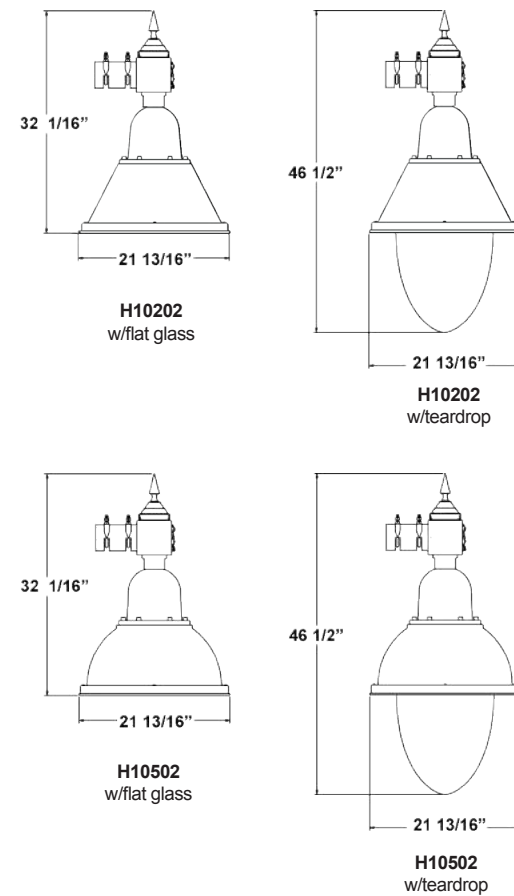


Shown with:  
H10502 Style  
BLK - Black Finish  
FG - Flat Glass Lens  
RNDC - Round Cap Cover  
RS - Rosette

**FEATURES**

- 2200K, 2700K, 3000K, 4000K or 5000K Color Temperatures
- 20kA / 40kV Extreme Surge Suppressor
- Powered by the Lumecon L-RETRO-T Light Engine
- Enhanced Thermal Dissipation System provides maximum thermal dissipation
- All LEDs are rated for a minimum of 100,000 hours of continuous operation at ambient temperatures from -40°F/-40°C to 115°F/46°C
- 120-277V or 347-480V Input Voltage
- Die-cast aluminum fitter housing with textured or 60% gloss polyester powder coat finishes for maximum durability
- DLC® qualified lite engine and ETL Listed to UL 1598 / 8750 and CSA 22.2 No. 250 for Wet Locations and BABA / BAA compliant
- 10-Year L70 performance-based warranty

For Lumen Packages see current spec sheet



**ORDERING INFORMATION**

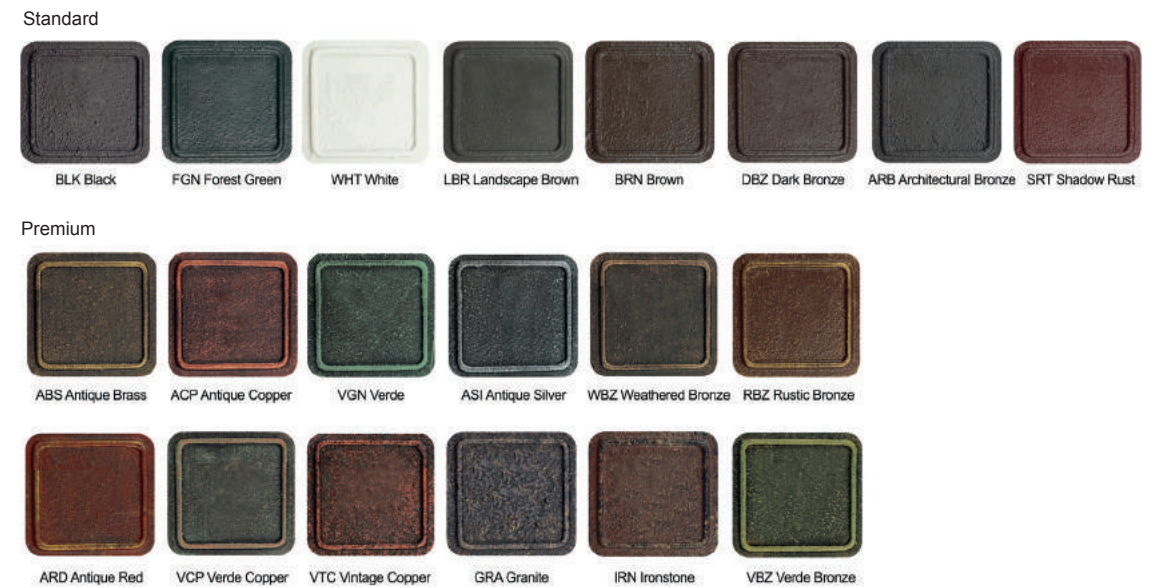
LMTD-SM Options / Ordering Example: LMTD-SM-40-DB-T3-FG-1-40-TLR

MODEL	STYLE	WATTAGE	PAINT COLOR	DISTRIBUTION	LENS	VOLTAGE	CCT	SIDE MOUNT ADAPTER OPTIONS
LMTD-SM	H10202	20 - 20 Watts	See Samples Below	T2 - Type II	FG - Flat Glass	1 - 120-277V	22 - 2200K	TLR – 7-Pin Twist Lock Receptacle
	H10502	30 - 30 Watts		T3 - Type III	TD - Tear Drop	2 - 347-480V	27 - 2700K	TLRC – Twist Lock Receptacle with Cast Aluminum Cover
		40 - 40 Watts		T4 - Type IV	30 - 3000K	RNDC – Round Cap Cover		
		50 - 50 Watts		T5 - Type V	40 - 4000K	SPK – Decorative Spike Cap		
		60 - 60 Watts			50 - 5000K			
		70 - 70 Watts						
		80 - 80 Watts						
		90 - 90 Watts						
		100 - 100 Watts						
		110 - 110 Watts						

**Options & Accessories**

- RS - Rosettes
- SC - Polycarbonate Shorting Cap
- PC1 - 120v-277v Twist Lock Photocell (10-year warranty)
- PC2 - 347v-480v Twist Lock Photocell (10-year warranty)
- DIM4 - 105-305 VAC, 50/60 Hz with ten position field adjustable selector switch
- DIM4-HV - High Voltage 312-530 VAC, 50/60 Hz with ten position field adjustable selector switch
- DIM4-CD - Constant all-night Dimming
- DIM4-CD-HV - Constant all-night Dimming, 315-530 VAC 50/60Hz
- DIM4-CUL - 120 VAC, 50/60 Hz, cUL-certified version with gray cover
- DIM4-ALC - Adaptive Lighting Control with a 2% per year incremental increase to compensate for an aging fixture
- DIM3-XX - Factory set dimming schedule (10 position selector switch not available)

**Available Finishes**



Email: sales@lumecon.com Website: www.lumecon.com Phone: 248-477-5009 • Copyright © 2023 Lumecon LLC. All Rights Reserved.  
Note: Specifications and photometric data are subject to change at any time without notice. Please see www.lumecon.com for current specifications and documentation.



Email: sales@lumecon.com Website: www.lumecon.com Phone: 248-477-5009 • Copyright © 2023 Lumecon LLC. All Rights Reserved.  
Note: Specifications and photometric data are subject to change at any time without notice. Please see www.lumecon.com for current specifications and documentation.





**FEATURES**

- 3000K, 4000K or 5000K Color Temperatures
- Energy savings up to 70% vs. comparable metal halide bollards
- Sturdy 8" aluminum shaft matches existing bollard dimensions with three point mounting or a retrofit four-point solution
- Optional cold temperature (-20C) emergency battery backup
- Asymmetric and Symmetric optical distributions
- Designed with zinc-infused thermoset powder coat finish providing superior resistance to corrosion and weathering
- Uniform pathway illumination
- Vandal resistant polycarbonate lens
- UL Wet Location
- BAA compliant
- 10-Year L70 performance-based warranty



360° Down light Illumination for optimal safety and clearance

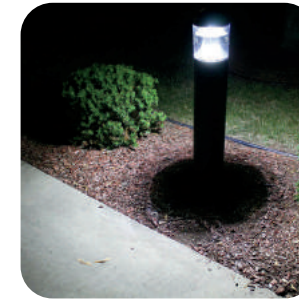


Bollard Retrofit Base Kit adapts to new bollards to most existing bolt patterns

The Lumecon LM-BOL walkway bollard is built with a robust die-cast aluminum housing and vandal resistant polycarbonate lens. Available in a variety of styles from traditional to contemporary and some design options available in clear glass refractor, cone reflector or internal louvers. In addition, we have a Bollard Retrofit Base Kit that adapts to new bollards to most existing bolt patterns.

**BOLLARDS ARE THE PERFECT SOLUTION FOR:**

- Entrance Walkways
- Retail Centers
- Industrial Parks
- Schools and University Pathways
- Public Transit and Airports
- Office Buildings and Medical Facilities



MODEL	WATTS	EQUIV	LUMENS	EFFICACY
LMB-R	19W	100W HID	1,869 Lm	100 LPW
LMB-S	27W	100W HID	2,133 Lm	79 LPW
LMB-APT	20W	70W HID	2,081 Lm	106 LPW
LMB-SPD	17W	70W HID	1,869 Lm	110 LPW
LMB-FC-360	19W	70W MH	702 Lm	37 LPW
LMB-FC-180	19W	70W MH	508 Lm	28 LPW
LMB-RFT-T5-GR	17W	70W HID	1,132 Lm	67 LPW
LMB-RFT-T3-GR	17W	70W HID	1,081 Lm	64 LPW
LMB-RFT-T5-CR	17W	70W HID	1,510 Lm	89 LPW
LMB-RFT-T3-CR	17W	70W HID	1,081 Lm	64 LPW
LMB-RFT-T5-L	17W	70W HID	763 Lm	45 LPW
LMB-RDT-T5-GR	17W	70W HID	1,132 Lm	67 LPW
LMB-RDT-T3-GR	17W	70W HID	1,081 Lm	64 LPW
LMB-RDT-T5-CR	17W	70W HID	1,510 Lm	89 LPW
LMB-RDT-T3-CR	17W	70W HID	1,081 Lm	64 LPW
LMB-RDT-T5-L	17W	70W HID	763 Lm	45 LPW
LMB-RSS-T5-CR	17W	70W HID	1,510 Lm	89 LPW
LMB-RSS-T3-CR	17W	70W HID	1,081 Lm	64 LPW
LMB-RSS-T5-L	17W	70W HID	763 Lm	45 LPW





# Poles & Accessories

Lumecon's supplier is an industry leading and trusted source for aluminum and steel light poles and accessories. Specified and used in a variety of Street, Area, Roadway, Utility, Municipal, Pedestrian, and Smart City lighting applications, our products include Anchor Base Poles, Direct Buried Poles, Decorative Poles, Hinged Poles, Small Cell 5G Antenna Poles, Solar Poles, and Camera Poles, along with a variety of Light Pole Arms, Brackets, and Light Pole Accessories.

## POLES

Heavy-wall, spun aluminum for the clean contemporary look, or the cast aluminum for the decorative period appearance. Poles can be drilled to accept side mount fixtures, or supplied with tenon for post top fixtures. Uniform channel system on all sides of the shaft gives a unique appearance while allowing for a wide range of uses with the various brackets offered.

- Steel Poles
- Aluminum Poles
- Decorative Bases & Poles
- SMART Pole Solutions
- Pole Accessories
- Pole Arms
- Breakaway Poles
- Pole Solutions

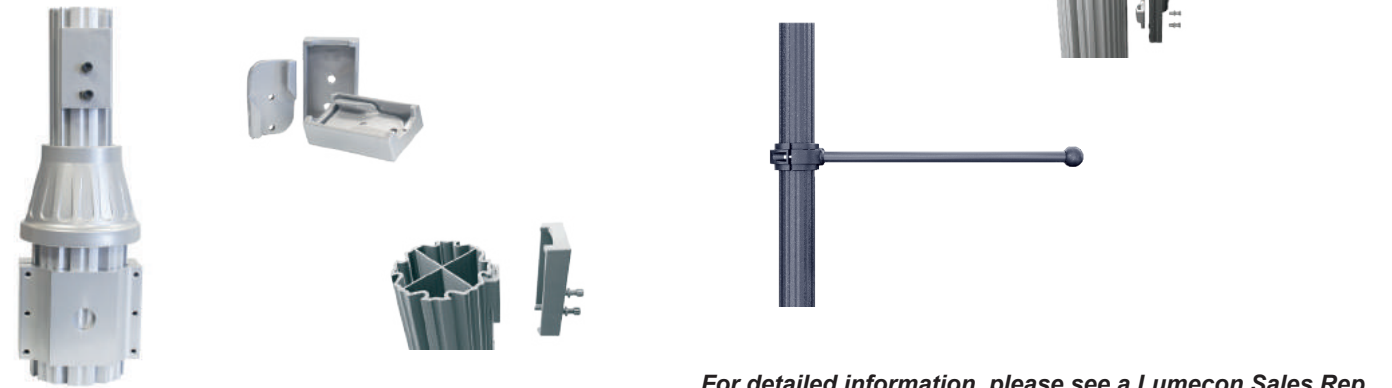
All pole products come complete with the state-of-the-art, multi-stage finishing process.



## ACCESSORIES & OPTIONS

Our poles can accommodate almost any type of accessory, from cameras and speakers to sensors and flags, and we have a long list options to meet your specific needs – from the standard coupling or plate to banner arms and flag or flower pot holders.

- Break Away Couplings
- Electric Lowering Winch
- Pole Top Tenon Adapters
- Two-Tier Adapter Plate
- Pole Caps
- Banner Arm
- ABS Base Covers
- Lowering Winch
- Flag Holder
- Transformer Bases
- Camera Mounting Options
- Welded Bracket
- Universal Fixture Mount
- Ground Fault Circuit Interrupter
- Mounting Bracket



For detailed information, please see a Lumecon Sales Rep



## BRACKETS

We supply a wide array of cross mounted, post-top mounted, and up-sweep brackets to fit any of our poles and some existing poles. Our standard bracket selection is just the beginning; we can build custom brackets to meet any need. All brackets can be powder coated in any of our 16 standard colors – with custom color matches always available.

- Square Mounting Brackets
- Upsweep Brackets
- Pole Top Reducers
- Round Pole Top Adapter Brackets
- Side Mounted Cross Arm Brackets
- Tapered Elliptical Arm Brackets
- LED Cross Arm Brackets
- Pole Top Tenon Adapters
- Cross Arm Brackets for Steel Poles
- Multiple Mounting Cross Arm Brackets
- Top Mounted Cross Arm Brackets
- Pole Top Floodlight Mounting Brackets
- Pole Top Bullhorn Brackets
- Spoke Brackets





# Decorative Bases

Industry-Leading Assortment of Structural, Clamshell and Hybrid Clamshell Decorative Bases

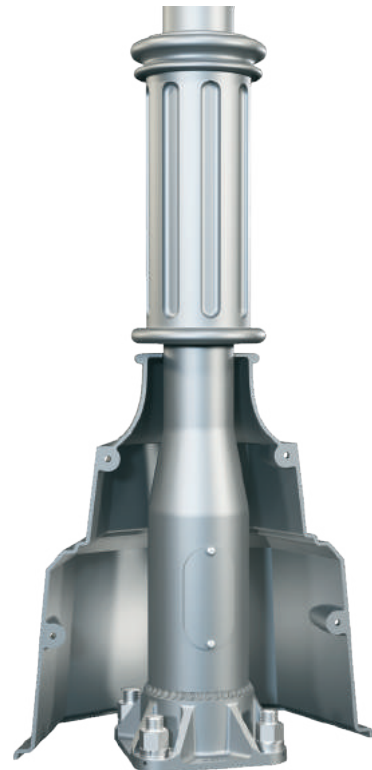
Our decorative bases makes it easy to meet any period or contemporary lighting specification. Offering a variety of heights, widths and finishes, the decorative bases options will complete any project.



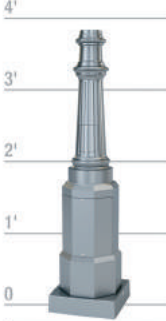






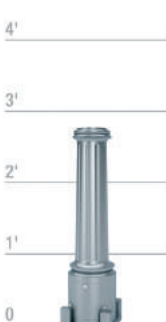
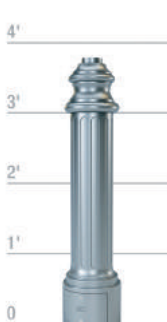
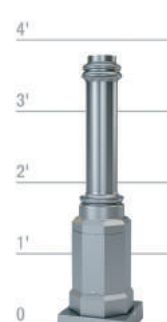


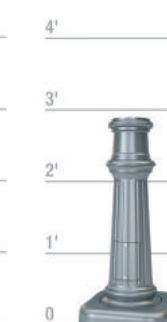



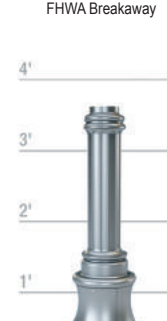






**Structural**  
Structural Aluminum Bases are welded to the bottom of the smooth or fluted shaft, contributing structural integrity to the pole.



**Clamshell**  
Clamshell Aluminum Bases are 2-Piece designs that are assembled and bolted around the base of the installed pole.



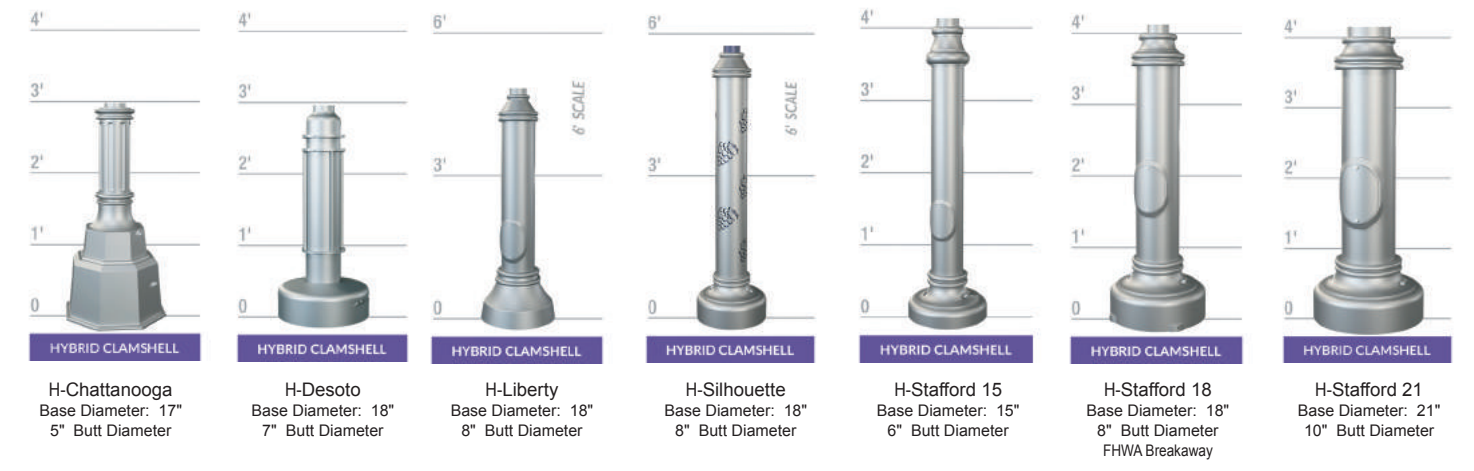
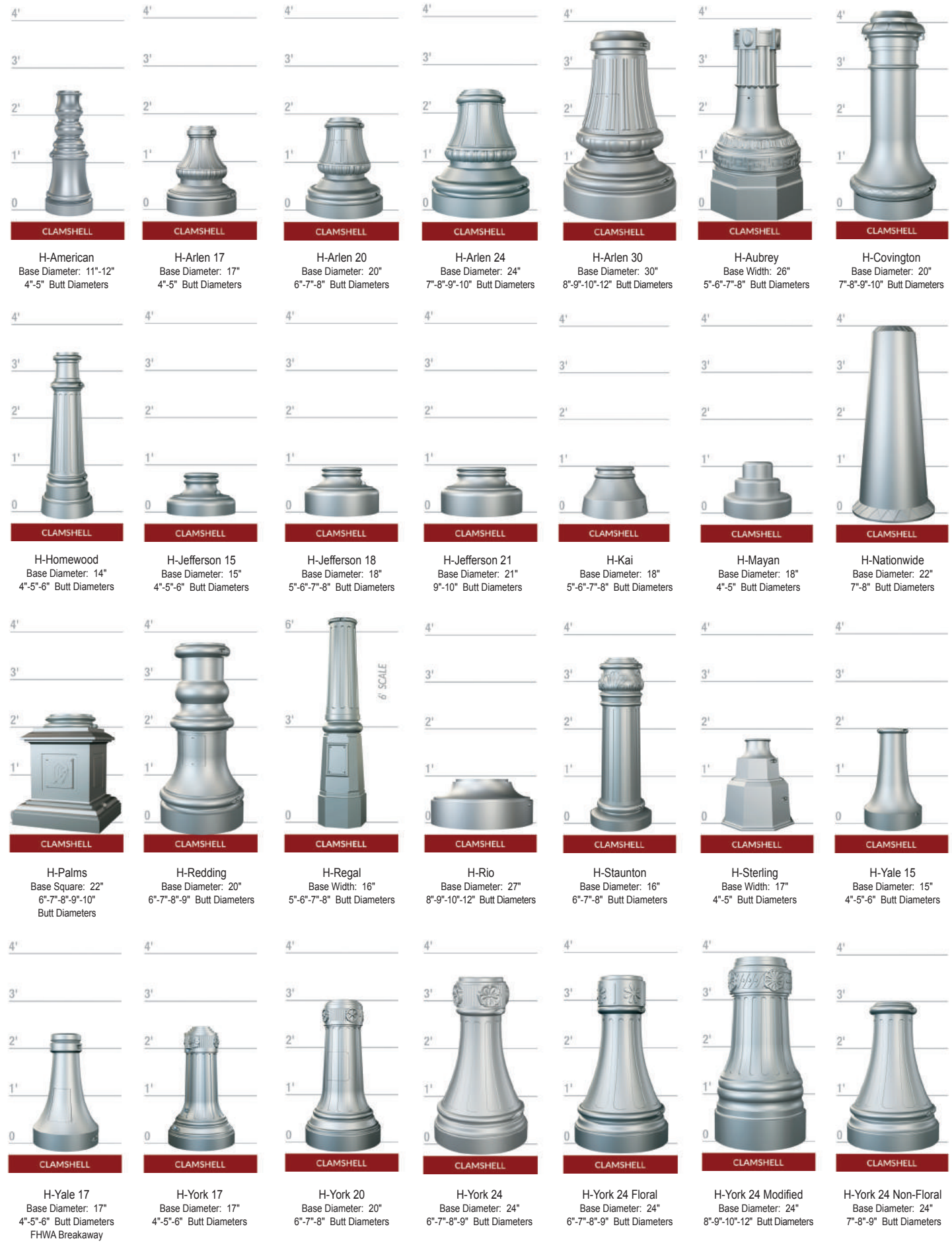
**Hybrid Clamshell**  
Hybrid Clamshell Aluminum Bases provide unique style options by combining a 2-Piece base with other decorative design features.

 <p><b>STRUCTURAL</b></p> <p>H-Abingdon Base Square: 11.5" 4" Butt Diameter</p>	 <p><b>STRUCTURAL</b></p> <p>H-American Base Diameter: 12" 4"-5" Butt Diameters</p>	 <p><b>STRUCTURAL</b></p> <p>H-Arlen 13 Base Diameter: 13" 3"-4" Butt Diameters</p>	 <p><b>STRUCTURAL</b></p> <p>H-Arlen 17 Base Diameter: 17" 4"-5"-6" Butt Diameters</p>	 <p><b>STRUCTURAL</b></p> <p>H-Arlen 17 Modified Base Diameter: 17" 4"-5"-6" Butt Diameters FHWA Breakaway</p>	 <p><b>STRUCTURAL</b></p> <p>H-Arlen 20 Base Diameter: 20" 6"-7"-8" Butt Diameters FHWA Breakaway</p>	 <p><b>STRUCTURAL</b></p> <p>H-Bristol Base Diameter: 14.5" 4"-5"-6" Butt Diameters</p>
 <p><b>STRUCTURAL</b></p> <p>H-Charleston Base Square: 8.5" 4" Butt Diameter</p>	 <p><b>STRUCTURAL</b></p> <p>H-Georgetown Base Diameter: 10.125" 4"-5" Butt Diameters FHWA Breakaway</p>	 <p><b>STRUCTURAL</b></p> <p>H-Grand Base Square: 11.5" 4"-5" Butt Diameters FHWA Breakaway</p>	 <p><b>STRUCTURAL</b></p> <p>H-Gregory Base Width: 20" 5"-6"-7"-8" Butt Diameters</p>	 <p><b>STRUCTURAL</b></p> <p>H-Gunn Base Diameter: 12" 4" Butt Diameter</p>	 <p><b>STRUCTURAL</b></p> <p>H-Homewood Base Square: 11.125" 4" Butt Diameter</p>	 <p><b>STRUCTURAL</b></p> <p>H-Homewood Large Base Square: 14" 4"-5"-6" Butt Diameters FHWA Accepted</p>
 <p><b>STRUCTURAL</b></p> <p>H-Kingston Base Width: 10.75" 4" Butt Diameter</p>	 <p><b>STRUCTURAL</b></p> <p>H-Levin Base Diameter: 13.125" 4" Butt Diameter</p>	 <p><b>STRUCTURAL</b></p> <p>H-Lincoln Base Diameter: 12" 4"-5" Butt Diameters</p>	 <p><b>STRUCTURAL</b></p> <p>H-Morgan Base Diameter: 13.5" 4" Butt Diameter</p>	 <p><b>STRUCTURAL</b></p> <p>H-Saturn Base Diameter: 20" 5"-6"-7" Butt Diameters</p>	 <p><b>STRUCTURAL</b></p> <p>H-Trenton Base Diameter: 16" 4"-5"-6" Butt Diameters</p>	 <p><b>STRUCTURAL</b></p> <p>H-Winchester Base Square: 11" 4"-5" Butt Diameters FHWA Breakaway</p>
 <p><b>STRUCTURAL</b></p> <p>H-York 17 Diameter: 17" 4"-5"-6" Butt Diameters FHWA Breakaway</p>	 <p><b>STRUCTURAL</b></p> <p>H-York 20 Diameter: 20" 6"-7"-8" Butt Diameters</p>					

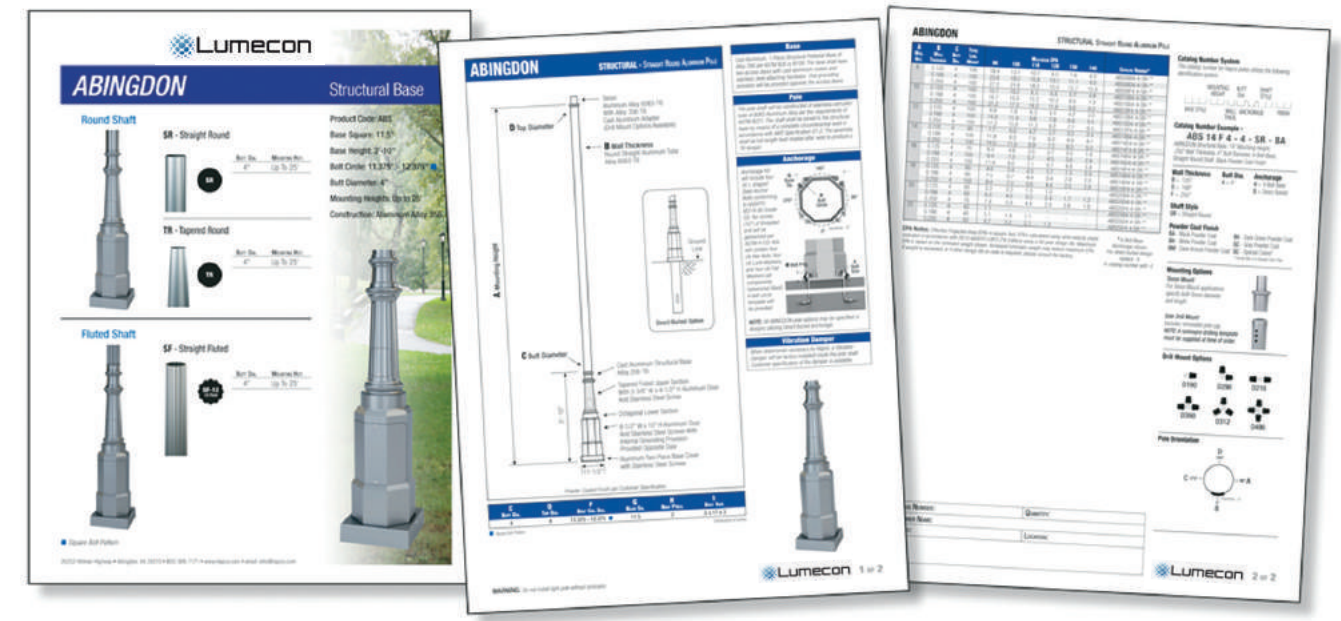
Direct Buried Options Available in All Decorative Bases.







For detailed information, please see a Lumecon Sales Rep



58 PDF Catalog Pages

386 Specification Sheets

6,954 Standard Product Combinations  
 Base Details, Pole Shaft Details, and EPA Tables for  
 Straight Round, Tapered Round, Straight Fluted, and Tapered Fluted Options.



# Retrofit Solutions

## LUMECON SPECIALIZES IN DESIGNING AND MANUFACTURING LED LIGHT ENGINES FOR YOUR DECORATIVE FIXTURE

With your fixture and specifications for lumen output, wattage, optical distribution, and color temperature, our team of engineers and designers will develop a custom solution to meet your requirements.

- Precise Customization: LED solutions tailored to your specific needs
- Innovative Technology: Cutting-edge LED boards and optics for quality without costly tooling
- Exceeding Expectations: Rigorous prototyping, ensuring high performance
- Comprehensive Package: Full prototype, assembly illustrations, and installation instructions

All manufacturing of prototype and production kits occurs at our facility in Farmington Hills, MI, and comes with Lumecon's 10-year performance warranty. Not sure how to navigate UL safety certification, LM-79 testing, DLC® listing, or IDA certifications? We can handle all third-party testing and certification submittal on your behalf.

### EVERY DESIGN INCLUDES

- ✓ American Made Certification
- ✓ 10-Year Performance Warranty to L70, including driver
- ✓ 40kV Surge Suppression MOV (room permitting)
- ✓ Type V, IV, III, II Light Patterns available
- ✓ 2200K, 2700K, 3000K, 4000K and 5000K Temperatures
- ✓ 80 CRI Standard 90 CRI available
- ✓ Volume-based pricing (yearly blankets are accepted)



### RETROFIT ADVANTAGES

- Energy Efficiency and Savings
- Reduced Operating and Maintenance Costs
- Saves Original Lighting Fixture Investment
- Rebates and Incentives
- Improved Security
- Less Light Pollution



## READY TO UPGRADE YOUR CURRENT DECORATIVE POST-TOP LIGHTING?

Lumecon's Retrofit solutions seamlessly integrate with your existing investment, ensuring a cost-effective and efficient transformation.

### RETROFIT PROCESS

#### STEP 1 FIXTURE EVALUATION

We receive OEM's Fixture and we begin our detailed technical evaluation process.

- Create a CAD model of the OEM fixture (if CAD not available)
- Develop a light engine solution in CA.
- Manufacture a light engine prototype

#### STEP 2 PROTOTYPE TESTING

Thorough testing of prototype light engine to meet our 10-year warranty standards.

- A technician checks the fit and inspects ease of installation
- Perform in-situ thermal testing to validate performance and 10-year lifetime rating

#### STEP 3 DELIVERY STANDARDS

For ease of an independent installation, we include a prototype and detailed instructions.

- Create detailed spec sheet, factory assembly instructions, and field installation instructions
- Return fixture with prototype installed



Our Retrofit Solutions provide numerous advantages, including tailored solutions, assured quality, cost savings, faster time-to-market, and the ability to focus on core competencies.







*Pictured:  
LM-AMB*

# Lumecon Midtown Decorative Series

- Decorative Post-Tops
- Architectural Post-Tops
- Carriage Post-Tops
- Hang-Straight Teardrop
- Side-Mount Teardrop
- Walkway Bollards

## The Leader in Decorative Solutions

Elevate your surroundings with the Lumecon Midtown Decorative Series, where classic and modern design meet cutting-edge LED technology, wireless controls, and robust 40kV surge protection. From charming main streets to vibrant downtowns, serene parks, and bustling campuses, our fixtures enhance any environment. With customized wattage, precise light distribution, and our patented Heat Sink Management System, we offer tailored solutions. Plus, explore our range of bollards to add the perfect finishing touch to complete your lighting project.

**Order Today! 248-477-5009**



sales@lumecon.com • www.lumecon.com

Copyright © 2024 Lumecon LLC. All Rights Reserved. Catalog/Decorative\_05062024