

Decorative Pole Solutions Unique To Your Project

UNLOCK ENDLESS OPPORTUNITIES WITH LUMECON



Our customizable modular arm system enables you to achieve the exact decorative design you envision. Interchangeable components and multiple configurations create design specifications possibilities that are virtually unlimited.



- Four Arm Designs
- Eight Configurations
- Multiple Accessory and Tenon Options
- Acorn and Pendant Fixture Compatible
- Simple and Secure Field Installations

H-MOD-001



H-MOD-002



H-MOD-003

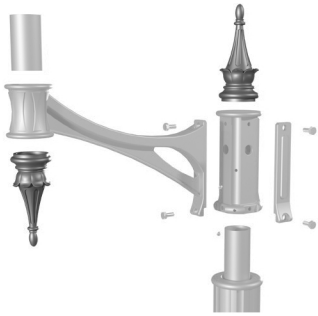


H-MOD-004



Decorative Modular Arms

UNLIMITED DESIGN POSSIBILITIES



Multiple finial options for incorporation onto Modular Arms and Center Hub

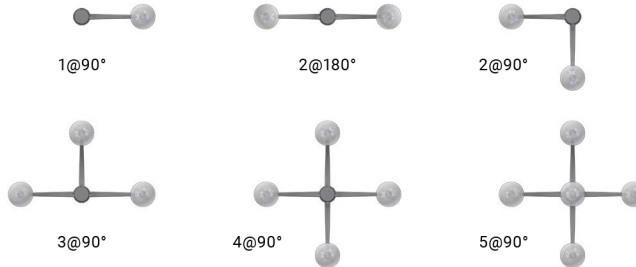


Modular arms are designed to accept factory-welded tenons for use with both Pendant and Acorn lighting fixtures

EIGHT DESIGN CONFIGURATIONS



QUAD Center Hub



TRI Center Hub



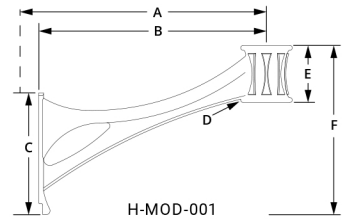
DESIGNS THAT INSPIRE

The perfect complement to the industry's leading decorative offering

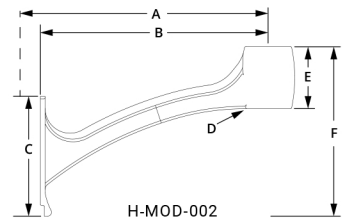
- 60+ Standard Decorative Bases
- Five Fluted Shaft Designs
- Decorative Pole Accessories



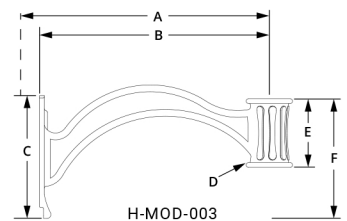
MODULAR ARM DESIGNS



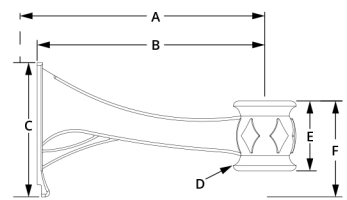
H-MOD-001



H-MOD-002



H-MOD-003



H-MOD-004

MODULAR ARM DIMENSIONS

IN INCHES

Part #	A	B	C	D	E	F
H-MOD-001	20.00	18.00	9.63	4.08	4.50	13.38
H-MOD-002	20.00	18.30	9.63	4.28	5.00	13.63
H-MOD-003	20.00	18.00	9.63	3.63	5.38	9.38
H-MOD-004	18.00	16.30	9.63	4.50	5.00	6.88

