

PROJECT NAME: _____ CATALOG #: _____

NOTES: _____ DATE: _____

BLS-DTD DUSK TO DAWN

The BLS-DTD offer traditional Dusk to Dawn features with softened edges for a versatile look that complements many applications. Supports adjustable color temperature and power that meets your lighting needs. High-performance, energy efficient solution for local, collector and major roadways, the BLS-DTD uses breakthrough LEDs and precision-engineered optics to provide exceptional illumination while also saving energy.



SPECIFICATIONS FEATURES

- Initial Delivered Lumens: 2,550~12,000lm
- CRI: ≥ 70
- Mounting: Mounts directly to wall surface or to pole with mounting arm (accessory sold separately)
- Replaces up to 250W MH
- Light engines are available in CCT adjustable, the CCT can be changed to 3000K/4000K/5000K
- Lifespan: Estimated >50,000 Hours

CONSTRUCTION

- Durable, die-cast aluminum housing silver gray polyester powder-coat finish
- Dusk-to-dawn Photocell is included.

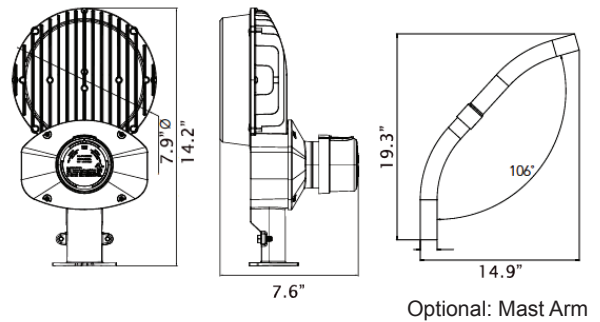
ELECTRICAL

- Input Voltage: 120-277V
- Power Factor: ≥ 0.9
- Four adjustable Wattage levels available for each model.
- Total Harmonic Distortion: ≤20%
- Operating Temperature Range: -40°C - + 40°C (-40°F - + 104°F)

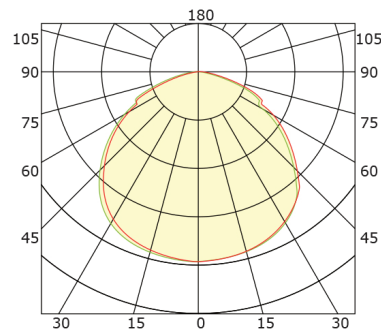
CERTIFICATIONS

- UL cUL wet location listed

DIMENSIONS

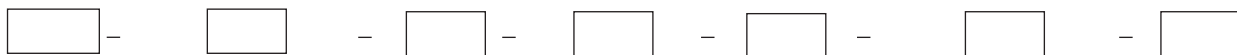


PHOTOMETRICS



ORDERING GUIDE

SAMPLE: BLS-DTD-65-27V-DDK-SG-PO-AD



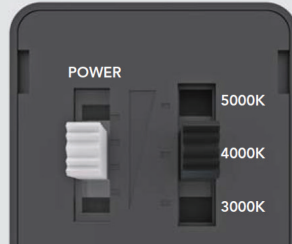
MODEL	WATTAGE	VOLTAGE	CCT	FINISH	PHOTOCELL	CCT & POWER ADJUSTABLE
BLS-DTD	65 65W, 52W, 39W, 26W 80 80W, 64W, 48W, 32W	27V 120-277V	DDK Adjustable Color Temperature	SG Silver Gray	PO With 120-277V Photocell	AD with Adjustable Dial

OPTIONS AND ACCESSORIES

MA Mast Arm

CCT AND WATTAGE CONTROLLER

This fixture has the function of adjusting the lumens output and color temperature on-site.



Wattage Selectable: 100%, 80%, 60%, 40%

CCT Selectable: 3000K, 4000K, 5000K

CCT AND WATTAGE ADJUSTABLE

BLS-DTD-65W		3000K		4000K		5000K	
SWITCH SETTINGS	SYSTEM WATTAGE	Lumens	Efficacy	Lumens	Efficacy	Lumens	Efficacy
100%	65W	8400	129	8800	135	8600	132
80%	52W	7000	135	7300	140	7100	136
60%	39W	5400	138	5700	146	5500	141
40%	26W	3700	142	3900	150	3800	146

BLS-DTD-80W		3000K		4000K		5000K	
SWITCH SETTINGS	SYSTEM WATTAGE	Lumens	Efficacy	Lumens	Efficacy	Lumens	Efficacy
100%	80W	11200	140	12000	150	11600	145
80%	64W	9200	144	9800	153	9600	150
60%	48W	7000	146	7500	156	7400	154
40%	32W	4800	150	5100	159	5000	156

ELECTRICAL DATA

NUMBERS OF DRIVERS	DRIVER CURRENT (M/A)	NOMINAL POWER (W)	INPUT VOLTAGE (V)	CURRENT (Amps)
1	1130	65	120	0.54
		65	208	0.31
		65	240	0.27
		65	277	0.23
1	1200	80	120	0.67
		80	208	0.38
		80	240	0.33
		80	277	0.29