

PROJECT NAME: _____

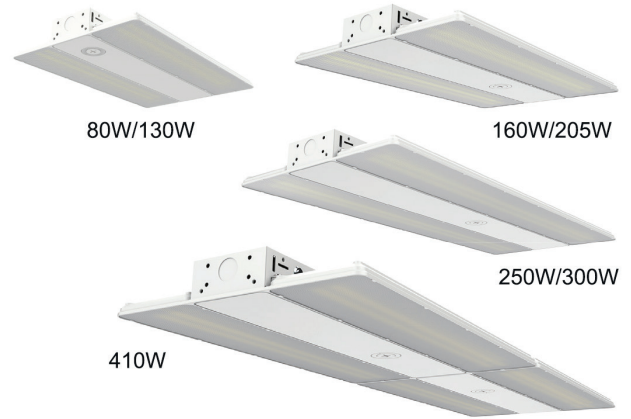
CATALOG #: _____

NOTES: _____

DATE: _____

BLS-LHB2 Linear High Bay

The BLS-LHB2 ensures high energy efficiency, excellent light uniformity and long lifespan, aims to reduce the contractor's budget, making it an ideal choice for retrofit or new project installation. The compact structure design makes the installation of the fixture easier and faster. Each model supports CCT & Wattage Selectable, which improves the flexibility and convenience of on-site installation and significantly reduces stocking SKUs.



SPECIFICATIONS FEATURES

Construction:

- The rugged, one-piece die-cast aluminum housing features a rock-solid quality and performance.
- The LED module and driver are I-separated and extend service life through convection cooling, thermal management.
- The compact design saves labor cost and improves installation efficiency.
- Innovative contractor-friendly packaging makes installation faster.

Optics:

- Light engines are available in color selectable version, the CCT can be changed to two CCTs (4000K, 5000K).
- Scalable Lumen Packages from 5,100 to 60,600 Lumens.
- Prismatic translucent lens is designed to shape the light uniformity and controls the glare light.

Electrical:

- Universal 120-277V or 347-480V input voltage.
- Wattage adjustable: 100%, 80%, 60%, 40%.
- 0-10V dimming standard for a dimming range of 100% to 10%.
- PF >90%, THD <20%, 6KV surge protection.
- Operating temperature is -40°C (-40°F) to 50°C (122°F)

Installation:

- Steel wire rope mount (default).
- Surface mount (option).
- Conduit pendant mount (option).

Controls:

- Optional PIR Sensor or Bluetooth Smart Control Sensor available for further energy-saving.
- The standard sensor receptacle can quickly install sensors on site.

Lifespan:

- Estimated 50,000-hour LED lifespan based on IES LM-80 results and TM-21 calculations

Warranty:

- Five-year limited warranty

Certification:

- UL cUL damp location listed

NOTE- Actual performance may differ as a result of end-user environment and application. All values are design or typical values, measured under laboratory conditions at 25°C(±5°C) specifications subject to change without notice.

CCT SELECT

4000K 5000K

Offer two CCT adjustable (4000K, 5000K).

WATTAGE SELECT

40% 60% 80% 100%

Each model supports 4 positions wattage regulation: 100%, 80%, 60%, 40%

CCT AND WATTAGE SELECTABLE

This fixture has the function of adjusting the lumens output and color temperature on-site.

PERFORMANCE DATA

80W					
SETTING	SYSTEM WATTS	4000K (80CRI)		5000K (80CRI)	
		LUMENS	LPW	LUMENS	LPW
100%	80W	12100lm	151 lm/W	12100lm	151 lm/W
80%	64W	10000lm	156 lm/W	10000lm	156 lm/W
60%	48W	7700lm	160 lm/W	7700lm	160 lm/W
40%	32W	5200lm	163 lm/W	5200lm	163 lm/W

130W					
SETTING	SYSTEM WATTS	4000K (80CRI)		5000K (80CRI)	
		LUMENS	LPW	LUMENS	LPW
100%	130W	18500lm	142 lm/W	18500lm	142 lm/W
80%	104W	15200lm	146 lm/W	15200lm	146 lm/W
60%	78W	12100lm	155 lm/W	12100lm	155 lm/W
40%	52W	8200lm	158 lm/W	8200lm	158 lm/W

160W					
SETTING	SYSTEM WATTS	4000K (80CRI)		5000K (80CRI)	
		LUMENS	LPW	LUMENS	LPW
100%	160W	24100lm	151 lm/W	24100lm	151 lm/W
80%	128W	20000lm	156 lm/W	20000lm	156 lm/W
60%	96W	15500lm	161 lm/W	15500lm	161 lm/W
40%	64W	10600lm	166 lm/W	10600lm	166 lm/W

205W					
SETTING	SYSTEM WATTS	4000K (80CRI)		5000K (80CRI)	
		LUMENS	LPW	LUMENS	LPW
100%	205W	30500lm	149 lm/W	30500lm	149 lm/W
80%	164W	25000lm	152 lm/W	25000lm	152 lm/W
60%	123W	19500lm	159 lm/W	19500lm	159 lm/W
40%	82W	14000lm	171 lm/W	14000lm	171 lm/W

250W					
SETTING	SYSTEM WATTS	4000K (80CRI)		5000K (80CRI)	
		LUMENS	LPW	LUMENS	LPW
100%	250W	36100lm	144 lm/W	36100lm	144 lm/W
80%	200W	30200lm	151 lm/W	30200lm	151 lm/W
60%	150W	24000lm	160 lm/W	24000lm	160 lm/W
40%	100W	16400lm	164 lm/W	16400lm	164 lm/W

300W					
SETTING	SYSTEM WATTS	4000K (80CRI)		5000K (80CRI)	
		LUMENS	LPW	LUMENS	LPW
100%	300W	42000lm	140 lm/W	42000lm	140 lm/W
80%	240W	36000lm	150 lm/W	36000lm	150 lm/W
60%	180W	28000lm	156 lm/W	28000lm	156 lm/W
40%	120W	20000lm	167 lm/W	20000lm	167 lm/W

410W					
SETTING	SYSTEM WATTS	4000K (80CRI)		5000K (80CRI)	
		LUMENS	LPW	LUMENS	LPW
100%	410W	60600lm	148 lm/W	60600lm	148 lm/W
80%	328W	50000lm	152 lm/W	50000lm	152 lm/W
60%	246W	38400lm	156 lm/W	38400lm	156 lm/W
40%	164W	28000lm	171 lm/W	28000lm	171 lm/W

ORDERING GUIDE

SAMPLE: BLS-LHB2-80-27V-DDK-W-PD-M

MODEL	WATTAGE	VOLTAGE	CCT	FINISH	LENS	SENSOR	EMERGENCY BATTERY	INTERNAL CODE
BLS-LHB2	80 80W, 64W, 48W, 32W 130 130W, 104W, 78W, 52W 160 160W, 128W, 96W, 64W 205 205W, 164W, 123W, 82W 250 250W, 200W, 150W, 100W 300 300W, 240W, 180W, 120W 410 410W, 328W, 246W, 164W	27V 120-277V 48V 347-480V	DDK Adjustable 	W White 	PD Prismatic Diffuser AL Aisle Lens ND Narrow Lens	M with Sensor Blank without	B with Emergency Battery Blank without	Blank Alphanumeric

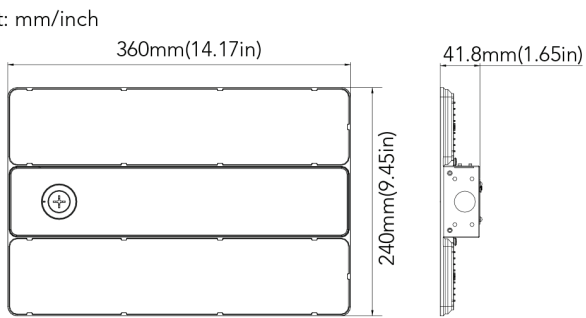
ACCESSORIES

Emergency Battery 8W 900lm 90min, suit for 80W, 130W (Sold separately)	Emergency Battery 15W 2000lm 90min, suit for 160W, 205W (Sold separately)	Emergency Battery 25W 3500lm 90min, suit for 250W, 300W, 410W (Sold separately)	Emergency Battery 30W, 4000lm, 90min, suite for 347-480V input voltage (Sold separately)
Plug-and-Play PIR Sensor 12-24VDC PIR sensor: MSANT12VPH01 Bluetooth PIR sensor: MSANT12VPHB01 (Sold separately)	Plug-and-Play Microwave Sensor 12-24VDC Microwave sensor: MSANT12VMH01 Bluetooth microwave sensor: MSANT12VMHB01 (Sold separately)	Steel Wire Rope(Default) USE: Chain mounting.	Wire Guards (Sold separately)

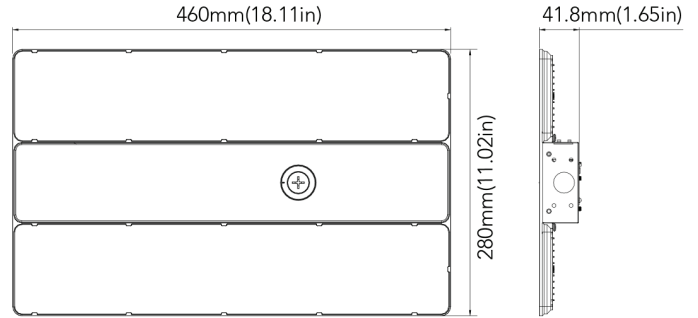
Note: Main Stocking sensor's SKU: MSANT12VPH01.

DIMENSIONS

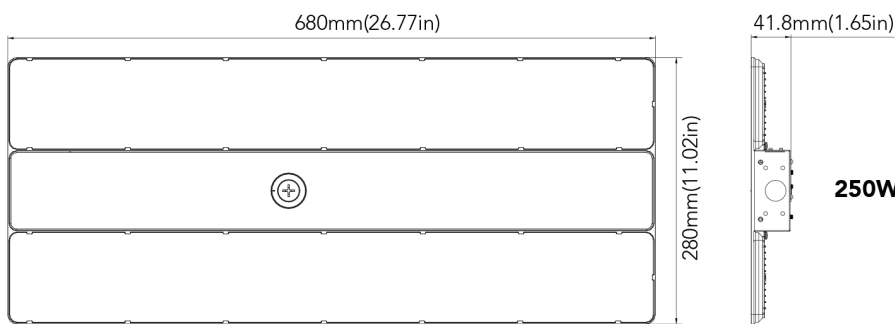
unit: mm/inch



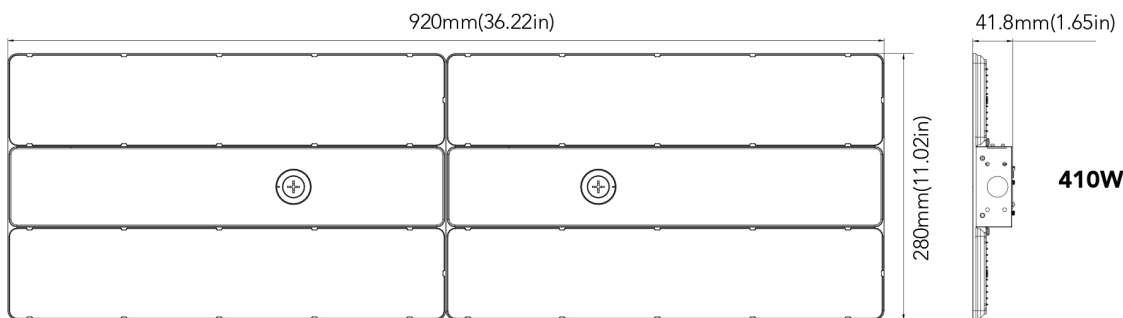
80W/130W



160W/205W

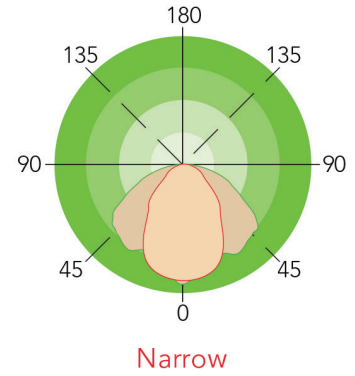
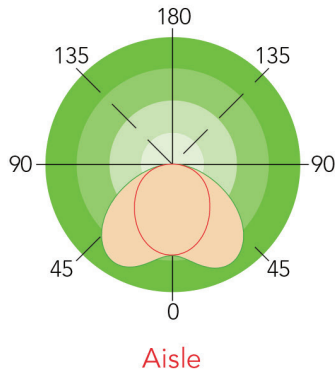
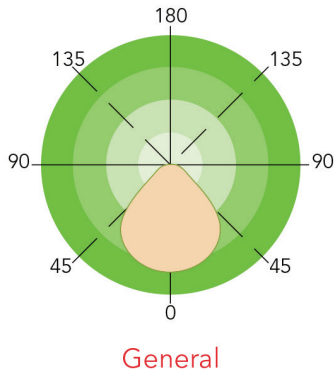


250W/300W

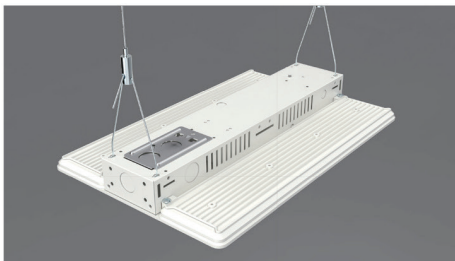


410W

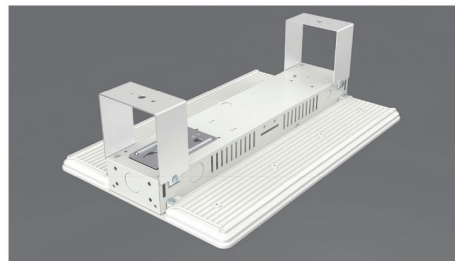
PHOTOMETRICS



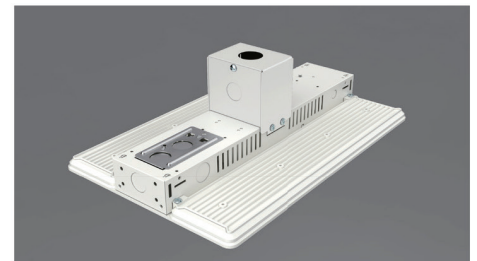
MOUNTING



Mounting With Steel Wire Rope



Surface Mounting



Conduit Pendant Mount