



Shown in:
W - White Finish

Catalog Number:	
Project:	
Comments:	
Prepared By:	Date:

Technical Specifications

Input Voltage: 120-277V or 347-480V

Kit Contents: The kit consists of an aluminum fitter mounting disk custom designed for the submitted fitter, a kit with integrated LED circuit board, LED driver, 20kA surge suppressor, and all wiring and hardware required for installation. Installation utilizes the 3 provided stainless steel bolts that mount the kit to existing mounting holes and bosses within the fixture. No drilling or modification to the existing housing is required. The kit height can be field adjusted vertically to accommodate various existing globe heights as needed.

Light Engine: Each LED light engine consists of a circuit board of 96 Nichia 757H F1 LEDs. The LED board is mounted to a 0.125 aluminum disk and heat sink for maximum heat dissipation from the LEDs.

Color Temperature: 2200K, 2700K, 3000K, 4000K (standard), 5000K. All LED's are rated for a minimum of 100,000 hours of continuous operation at ambient temperatures from -40°F/-40°C to 95°F/35°C.

Color Rendering Index (CRI): Minimum of 80+ or higher.

Dimming: 0-10V standard dimming capability.

Surge Protection: Thermally protected 20kA/ 40kV varistor type surge suppressor is included and meets ANSI C136.2-2015: Extreme Level. Also meets IEC61643-11 Class II / EN61643-11 Type 2, and US Dept of Energy MSSLC Model Spec for surge protection. The device is wired in series with the luminaire input power in order to interrupt power to the luminaire when consumed, protecting the LED power supply and circuit boards from additional electrical surges.

Lumecon ETD™ System: The enhanced thermal dissipation system engines are thermally bonded to provide maximum thermal dissipation to the exterior of the fixture to ensure long life. To protect the light engine panel from moisture and corrosion, the LED light engine panel is uniformly coated with a UV stabilized acrylic polymer resin that meets MIL and ASTM dielectric standards, UL, and IPC standards for flammability, moisture resistance and thermal shock.

Certification Data: CSA 22.2 No. 250 for Wet Locations. *Full compliance and test documentation is available for TM-21, LM-79, LM-80, CSA Listing to UL1598C and UL 8750.

DesignLights Consortium® (DLC) Qualified Product: Unless noted, not all versions of this product may be DLC® qualified. For a complete list of Lumecon DLC® Qualified Products visit: www.designlights.org.

Manufacturing Origin: US Manufactured and Assembled.

Buy American Act: The product is assembled in the USA and meets the Buy America(n) government procurement requirements under FAR, DFARS, and DOT regulations.

Warranty: 10 Year L70 performance based warranty. For full warranty terms, please visit our website: www.lumecon.com

Description

The L-RETRO-DG LED Decorative Globe kit offers service professionals an economic, easy to install solution to safely upgrade HID luminaires to LED. Available in three output versions, the L-RETRO-DG Retrofit Kit proves to be the perfect LED conversion solution for your next Decorative Globe project.

Performance Data

Model	Watts	Equiv	Delivered Lumens	Efficacy
L-RETRO-DG-35	35W	175W HID	4,647 Lm	131 LPW
L-RETRO-DG-45	45W	250W HID	5,677 Lm	127 LPW
L-RETRO-DG-55	55W	250W HID	6,533 Lm	122 LPW



Ordering Information

L-RETRO-DG Options / Ordering Example: L-RETRO-DG-35-1-27-6-W

Wattage	Voltage	Color Temperature	Mounting Disc	Finish
35 - 35 Watts	1 - 120-277v	22 - 2200K	6 - 6" Universal Disc ¹	A - Aluminum
45 - 45 Watts	2 - 347-480v	27 - 2700K	7 - 7" Universal Disc ¹	W - White
55 - 55 Watts		30 - 3000K	C - Custom ²	
		40 - 4000K		
		50 - 5000K		

Accessories & Options

32-00123 - House Side Shield

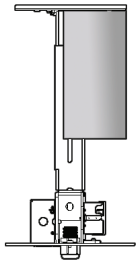
32-00114 - Type IV

7P - Seven-pin Twist Lock Photocell Receptacle Only

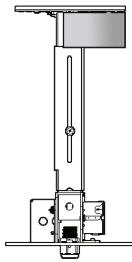
Notes:

1. Exact dimensions see page 3
2. Contact your Regional Sales Manager or sales@lumecon.com for more information.

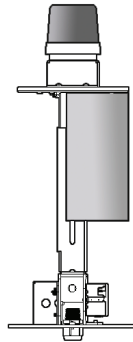
Options & Accessories



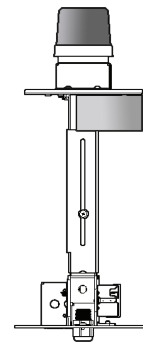
32-00123 -
House Side Shield



32-00114 - Type IV



7P - Seven-Pin Twist Lock
Photocell Receptacle
32-00123 - House Side Shield

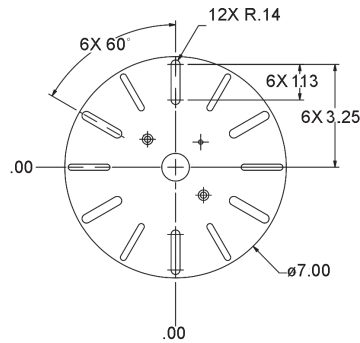


7P - Seven-Pin Twist Lock
Photocell Receptacle
32-00114 - Type IV

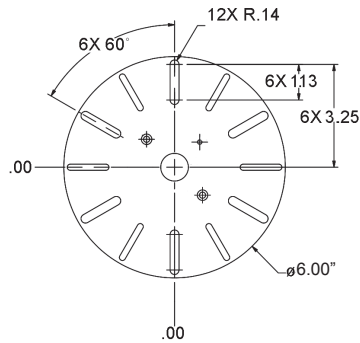
Dimensions

MOUNTING DISK
other sizes available upon request

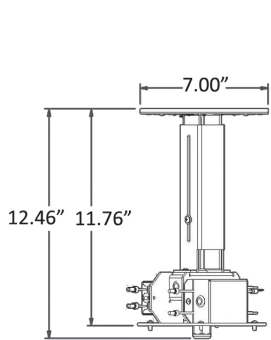
example, 7" mounting disk



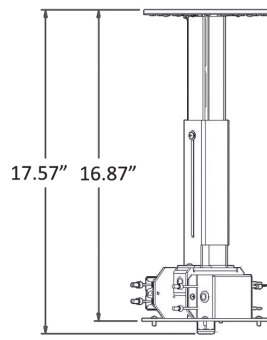
example, 6" mounting disk



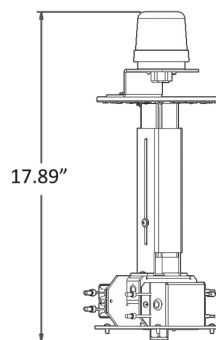
MIN HEIGHT w/o SENSOR



MAX HEIGHT w/o SENSOR

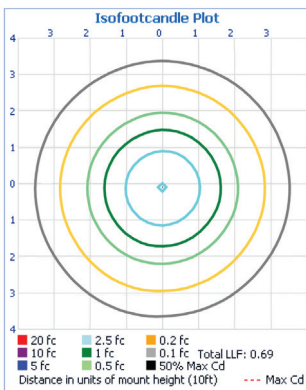


MAX HEIGHT w/ SENSOR
MAX WIDTH ACROSS ALL BUILDS - 7"

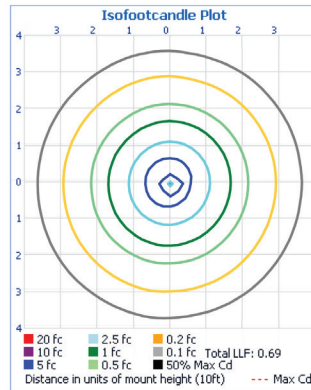


Photometric Data

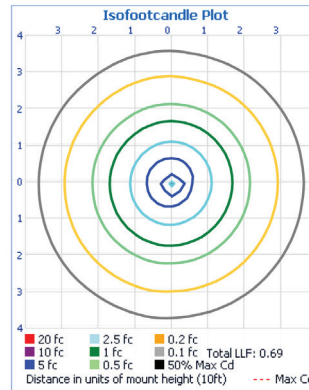
L-RETRO-DG-35-40



L-RETRO-DG-45-40



L-RETRO-DG-55-40



L-RETRO-DG-55-40-Type IV

