

PROJECT NAME: _____

CATALOG #: _____

NOTES: _____

DATE: _____

BLS-CHBHT Circular High Bay

High bay is the ideal light source for energy-efficient, low maintenance illumination in large spaces. Designed with durability and functionality in mind, the LED Circular High Bay lighting options are versatile and suited to satisfy most all long-term lighting needs. The BLS-CHBHT delivers ultra-high luminous flux for use in large indoor environments with a clearance of more than 30 feet. Its high luminous efficiency features cost savings for customers and is favored by customers compared with similar products. The BLS-CHBHT is ideal for industrial and manufacturing applications, and is your LED replacement for up to 1000W MH fixtures.



SPECIFICATIONS FEATURES

Construction:

- Durable, die-cast aluminum housing with heat dissipating fins.
- Dark bronze polyester powder-coat finish.
- Easy access to the driver compartment from the face.

Optics:

- Efficiency higher than 171lm/W, designed to replace 750W and 1000W MH while consumes 350W and 410W.
- Light engines are available in standard 4000K and 5000K
- 120 degree lens guarantees light intensity and light uniformity

Electrical:

- Universal 120-277 VAC or 347-480 VAC input voltage.
- 0-10V dimming standard for a dimming range of 100% to 10%.
- Operating temperature is -40°C (-40°F) to 55°C (131°F) when wattage is above 300W (Max. 65°C (149°F) for 300W and below).

Mounting:

- 3/4" Conduit pendant, Hook mounting.

Controls:

- Optional PIR Sensor or Bluetooth Smart Control Sensor available for further energy-saving.
- Optional Wattage Adjustment Dial allows more flexibility to suit for higher ambient or various light output requirement.

Lifespan:

- Estimated 100,000-hour LED lifespan based on IES LM-80 results and TM-21 calculations

Certification:

- UL cUL wet location listed
- DesignLights Consortium® (DLC) Qualified Product: Unless noted, not all versions of this product may be DLC® qualified. For a complete list of Lumecon DLC® Qualified Products visit: www.designlights.org.
- TAA refers to the Trade Agreements Act (19 U.S.C. § 2501–2581), intended to foster fair and open international trade. TAA requires that products be produced or undergo "substantial transformation" within the United States or a designated country.

NOTE- Actual performance may differ as a result of end-user environment and application. All values are design or typical values, measured under laboratory conditions at 25°C(±5°C) specifications subject to change without notice.

ORDERING GUIDE

SAMPLE: BLS-CHBHT-350-27V-40-D-M-AD-S

<input type="checkbox"/>	<input type="checkbox"/>	<input type="checkbox"/>	<input type="checkbox"/>	<input type="checkbox"/>	<input type="checkbox"/>	<input type="checkbox"/>	<input type="checkbox"/>	<input type="checkbox"/>
MODEL	WATTAGE	VOLTAGE	CCT	FINISH	SENSOR	ADJUSTMENT DIAL	SURGE PROTECTION	INTERNAL CODE
BLS-CHBHT	350 - 350W 410 - 410W	27V - 120-277V 48V - 347-480V	40 - 4000K 50 - 5000K	D - Dark Bronze B - Black W - White	M - with Sensor Blank - without Sensor	AD - with adjustment Dial Blank - without Adjustment Dial	S - Surge Protection Blank - without Surge Protection	Blank Alphanumeric

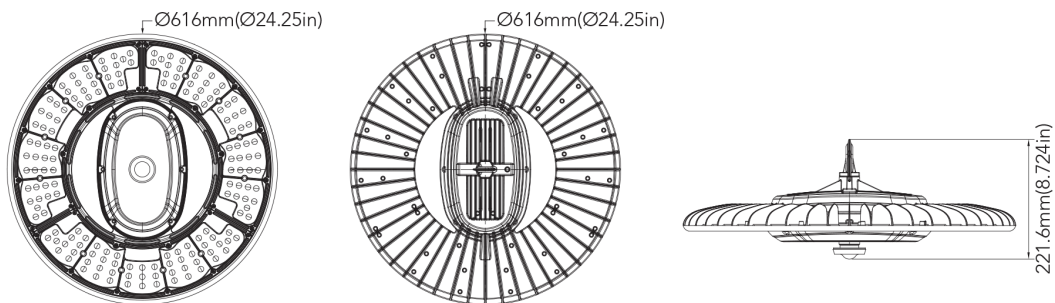
PERFORMANCE DATA

SETTING	CRI	350W			TEMPERATURE
		SYSTEM WATTS	LUMENS	LPW	
100%	70	350W	62000lm	177lm/W	55°C
80%	70	280W	51000lm	182lm/W	65°C
60%	70	210W	39000lm	186lm/W	65°C
40%	70	140W	26600lm	190lm/W	65°C



SETTING	CRI	410W			TEMPERATURE
		SYSTEM WATTS	LUMENS	LPW	
100%	70	410W	72000lm	176lm/W	55°C
80%	70	328W	59000lm	180lm/W	55°C
60%	70	246W	45500lm	185lm/W	65°C
40%	70	164W	31000lm	189lm/W	65°C

DIMENSIONS

unit: mm/inch



ACCESSORIES

	
Plug-and-Play PIR Sensor PIR sensor: ANT-6-4T Bluetooth PIR sensor: ANT-6-4T-BLE-SR	Plug-and-Play Microwave Sensor Microwave sensor: ANT-5-4T Bluetooth microwave sensor: ANT-5-4T-BLE-SR

MOUNTING

	Hook Mount
	Conduit Pendant Mount