

Catalog Number:

Project:

Comments:

Prepared By:

Date:

### Description

Lumecon Wood Poles are crafted from naturally durable Alaskan yellow cedar, offering superior strength, resistance to decay, and insect attacks without harmful chemical preservatives. Engineered to meet high structural standards, these eco-friendly poles provide a safe and sustainable lighting solution for outdoor environments with an up 30' fixture mounting height. Made in America.

### Technical Specifications

**POLE:** Stress rated laminated Alaskan yellow cedar bonded with durable moisture-resistant adhesives in conformance with ANSI A190.1 Standard for Wood Products – Structural Glued Laminated Timber under American Institute of Timber Construction (AITC).

**SECTION SIZE & LENGTH:** Available section sizes: 5" x 5 1/2", 6 3/4" x 6 3/4", and 8 1/2" x 8 1/4". Lengths are available in 1' increments.

**CENTER WIRE RACEWAY:** Poles possess a 1" x 1 1/4" center wire raceway.

**POLE TOP OPTIONS:** Specify MC tenon tops available with 2 3/8" or 3" O.D. cylinders for top mount applications. Specify PC protective caps for side mount applications. Pilot holes and through bolt holes can be supplied pre-drilled with submitted template.

**FOUNDATION INSTALLATION:** Specify BP base plates for foundation installation. AC cover skirts and fasteners are included. Base plates and cover skirts are laser cut steel powder coated flat black. Anchor bolts are supplied by others (see diagrams below for anchor bolt specification).

**DIRECT EMBEDMENT INSTALLATION:** Contact factory for species durability testing data and installation suggestions and embedment recommendation information.

**SURFACE TEXTURE:** Specify smooth or rough sawn texture.

**FABRICATION STYLES:** Specify eased, radiused or chamfered edge options.

**FACTORY STAINING:** Poles can be factory stained with Sherwin-Williams® SuperDeck® semi-transparent stains, or can be painted or stained in the field to achieved desired color.

**PACKAGING:** Poles are job lot paper wrapped or can be individually paper wrapped.

**DESIGN CRITERIA:** Contact factory for tables and embedment depth recommendation.

## Wood Pole Ordering Information

LWP Options / Ordering Example: LWP-55-S-E-X-PC55-BP55-J

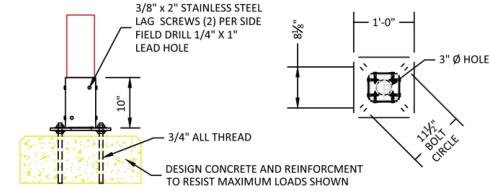
Model	Section Size	Length	Texture	Fabrication	Stain Option	Top Cap	Base Plate	Paper Wrap
LWP	55 - 5" x 5 1/2"	Overall Length	S - Smooth <sup>1</sup>	E - 1/4" eased edges <sup>1</sup>	X - No stain <sup>1</sup>	PC55 <sup>2</sup>	N - None	J - Job lot <sup>1</sup>
	66 - 6 3/4" x 6 3/4"		R - Rough	H - 1/2" Radiused edges	SW ____ <sup>4</sup>	PC66 <sup>2</sup>	BP55 <sup>5</sup>	I - Individual
	88 - 8 1/2" x 8 1/4"			C - 1" Chamfered edges		PC88 <sup>2</sup>	BP66 <sup>5</sup>	
				P - 1" Partial Chamfered		MC55.2 or .3 <sup>3</sup>	BP88 <sup>5</sup>	
						MC66.2 or .3 <sup>3</sup>	BP55-H <sup>5</sup>	
						MC88.2 or .3 <sup>3</sup>	BP66-H <sup>5</sup>	
							BP88-H <sup>5</sup>	

**Notes:**

- Standard price. Additional pricing applies to other options.
  - Metal protective cap
  - Metal tenon top mounts – indicate a .2 for a 2-3/8" tenon or .3 for a 3" tenon
  - SW \_\_\_\_ Indicates Sherwin-Williams SuperDeck semi-transparent stain color
  - AC skirts are included with base plates to conceal anchor bolts
- The above commercial light standard specification indicates C-55-16-S-E-X-MC55.2-BP55-J  
 (Commercial-5"x5-1/2"x16"-smooth texture - eased edges - no stain – 2-3/8" tenon cap – individually paper wrapped)

### Column Boot Installation Details

**BP55: 5" x 5 1/2" COLUMN BOOT**



3/8" x 2" STAINLESS STEEL LAG SCREWS (2) PER SIDE  
FIELD DRILL 1/4" x 1" LEAD HOLE

10"

3/4" ALL THREAD

DESIGN CONCRETE AND REINFORCEMENT TO RESIST MAXIMUM LOADS SHOWN

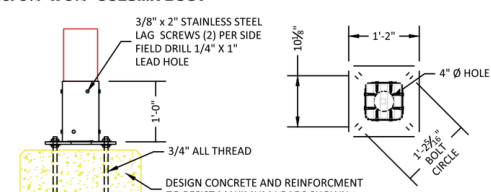
3" Ø HOLE

1 1/2" BOLT CIRCLE

**MAXIMUM DESIGN LOADS**

- VERTICAL: 500 LB (DL)
- SHEAR: 1,000 LB (WL)
- MOMENT: 5,000 FT-LB (WL) MAXIMUM BOLT PULL-
- 2,500 LB (WL)

**BP66: 6 3/4" x 6 3/4" COLUMN BOOT**



3/8" x 2" STAINLESS STEEL LAG SCREWS (2) PER SIDE  
FIELD DRILL 1/4" x 1" LEAD HOLE

1'-0"

3/4" ALL THREAD

DESIGN CONCRETE AND REINFORCEMENT TO RESIST MAXIMUM LOADS SHOWN

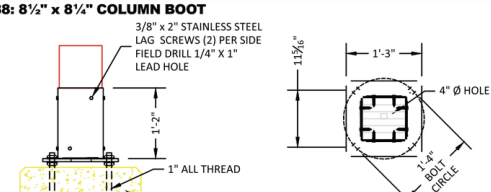
4" Ø HOLE

1 3/8" BOLT CIRCLE

**MAXIMUM DESIGN LOADS**

- VERTICAL: 500 LB (DL)
- SHEAR: 1,500 LB (WL)
- MOMENT: 10,000 FT-LB (WL) MAXIMUM BOLT PULL-
- 4,000 LB (WL)

**BP88: 8 1/2" x 8 1/4" COLUMN BOOT**



3/8" x 2" STAINLESS STEEL LAG SCREWS (2) PER SIDE  
FIELD DRILL 1/4" x 1" LEAD HOLE

1'-2"

1" ALL THREAD

DESIGN CONCRETE AND REINFORCEMENT TO RESIST MAXIMUM LOADS SHOWN

4" Ø HOLE

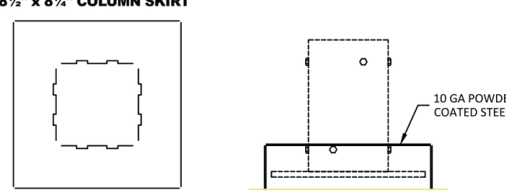
1 3/4" BOLT CIRCLE

**MAXIMUM DESIGN LOADS**

- VERTICAL: 700 LB (DL)
- SHEAR: 2,200 LB (WL)
- MOMENT: 17,000 FT-LB (WL) MAXIMUM BOLT PULL-
- 6,000 LB (WL)

### Column Boot Covers

**AC55: 5" x 5 1/2" COLUMN SKIRT**  
**AC66: 6 3/4" x 6 3/4" COLUMN SKIRT**  
**AC88: 8 1/2" x 8 1/4" COLUMN SKIRT**



10 GA POWDER COATED STEEL

**AC skirt placed over BP base plate prior to inserting pole**

**Weight Per Lineal Foot**

<b>5" x 5 1/2"</b>	<b>6 lbs</b>
<b>6 3/4" x 6 3/4"</b>	<b>10 lbs</b>
<b>8 1/2" x 8 1/4"</b>	<b>16 lbs</b>

