

PROJECT NAME: _____

CATALOG #: _____

NOTES: _____

DATE: _____

BLS-UTWP WALL PACK

The LED BLS-UTWP series is the wall pack that combines the dimensions of traditional wall packs with modern aesthetics. Its ultra-thin design meets the low-budget requirements of customers while providing excellent lighting service. Its sleek and low-profile appearance seamlessly integrates into various architectural styles, while completely covering the unsightly stains left by typical metal halide wall packs. UV-resistant polycarbonate lenses and durable glass lenses are available options. Additionally, the BLS-UTWP allows on-site adjustment of light output and color temperature, and has multi-functionality such as photocell control and emergency lighting. With its powerful features and long lifespan, the BLS-UTWP is definitely your ideal choice for a wall pack.



SPECIFICATIONS FEATURES

Construction:

- Rugged cast-aluminum housing with bronze polyester powder paint for outdoor applications.
- Casting thermally conducts LED heat to optimize performance and long life.
- The housing is completely sealed, providing excellent protection against moisture and environmental contaminants.


Optics:

- Light engines are available in CCT adjustable, the CCT can be changed to 3000K/4000K/5000K (70/80 CRI).
- Scalable Lumen Packages from 2,400 to 16,000 Lumens.
- UV stabilized polycarbonate and glass are both available for the optic lens, the professional prismatic design offers a good light distribution control and guarantees the uniformity.


Electrical:

- Universal 120-277VAC input voltage.
 - Optional 0-10V dimming and dimming range from 10%-100%.
 - Four adjustable Wattage levels available for each model.
 - Both drivers have a power factor >90%, THD <15%.
 - Operating Temperature Range: -40°C to 40°C (-40°F - + 104°F).
- Note: Operating with emergency battery temperature range: 10°C to 40°C (+50°F - + 104°F).*

ACCESSORIES(Optional)



Emergency Battery Backup
Description:
8W 900lm 90min, suit for 90W, 120W
5W 600lm 90min, suit for 40W



CCT and Wattage Controller
Description:
Power adjustment range: 40W-32W-27W-16W
90W-70W-50W-30W
120W-100W-80W-50W
CCT adjustment range: 3000K, 4000K, 5000K

Lifespan:

- Estimated 50,000-hour LED lifespan based on IES LM-80 results and TM-21 calculations.

Warranty:

- Five-year limited warranty

Certification:

- UL cUL wet location listed.

ORDERING GUIDE

SAMPLE: BLS-UTWP-40-27V-ADJ-D-P-B-AD-C

- - - - - - - - -

MODEL	WATTAGE	VOLTAGE	CCT	FINISH	PHOTOCELL	EMERGENCY BATTERY	CCT & POWER ADJUSTABLE	LENS	INTERNAL CODE
BLS-UTWP	40 40W	27V 120-277V	ADJ Adjustable Color Temperature	D Dark Bronze	P With switch photocontrol	B Emergency Battery	AD With Adjustable Dial	C Plastic Diffuser	Blank Alphanumeric
	90 90W					BLANK Without Emergency Battery		G Glass Diffuser	
	120 120W								



CCT AND WATTAGE CONTROLLER

This fixture has the function of adjusting the lumens output and color temperature on-site.






**Power adjustment range: 40W-32W-27W-16W
90W-70W-50W -30W
120W-100W-80W-50W**

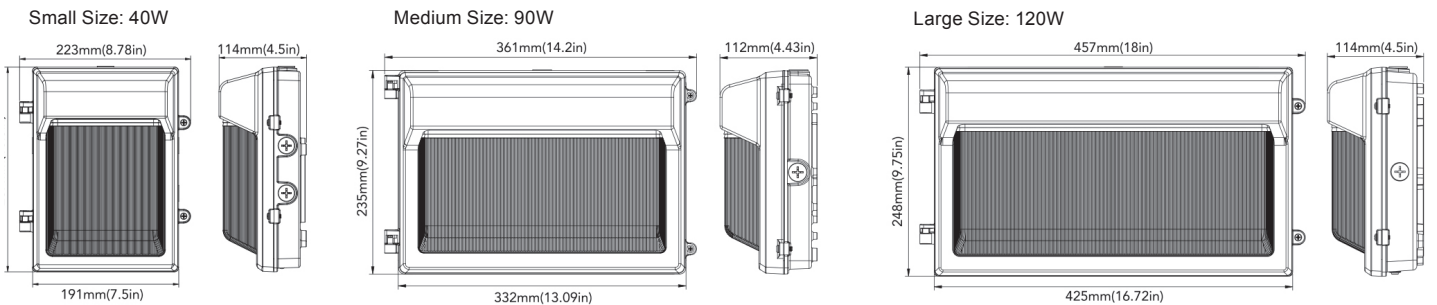
CCT selectable: 3000K, 4000K, 5000K

Built-in photocell

Enable or disable the photocell by removing the screw plug and adjusting the dip switch to your desired setting.



DIMENSIONS



PERFORMANCE DATA

BLS-UTWP 40W								
SETTING	SYSTEM WATTS	CRI	3000K		4000K		5000K	
			LUMENS	LPW	LUMENS	LPW	LUMENS	LPW
Level 1	40	80	5400lm	135 lm/W	5800lm	145 lm/W	5500lm	138lm/W
Level 2	32	80	4500lm	141 lm/W	4800lm	150 lm/W	4600lm	144 lm/W
Level 3	27	80	3900lm	144 lm/W	4200lm	156 lm/W	4000lm	148 lm/W
Level 4	16	80	2400lm	150 lm/W	2600lm	163lm/W	2500lm	156 lm/W

BLS-UTWP 90W								
SETTING	SYSTEM WATTS	CRI	3000K		4000K		5000K	
			LUMENS	LPW	LUMENS	LPW	LUMENS	LPW
Level 1	90W	80	12000lm	133 lm/W	12500lm	139lm/w	12200lm	136lm/w
Level 2	70W	80	9800lm	140 lm/W	10200lm	145 lm/W	9900lm	142 lm/W
Level 3	50W	80	7500lm	150 lm/W	7800lm	155lm/W	7600lm	152lm/W
Level 4	30W	80	4800lm	160 lm/W	5000lm	165lm/W	4900lm	162lm/W

BLS-UTWP 120W								
SETTING	SYSTEM WATTS	CRI	3000K		4000K		5000K	
			LUMENS	LPW	LUMENS	LPW	LUMENS	LPW
Level 1	120W	80	16000lm	133 lm/W	16500lm	138 lm/W	16200lm	135 lm/W
Level 2	100W	80	14000lm	140 lm/W	14500lm	145 lm/W	14200lm	142 lm/W
Level 3	80W	80	12000lm	150 lm/W	12500lm	156 lm/W	12200lm	153 lm/W
Level 4	50W	80	8000lm	160 lm/W	8500lm	170 lm/W	8200lm	164 lm/W

ELECTRICAL LOAD

Number Of Drivers	Driver Current (mA)	Nominal Power (W)	INPUT VOLTAGE (V)	CURRENT (Amps)
1	680	40	120	0.33
		40	208	0.19
		40	240	0.17
		40	277	0.14
1	830	90	120	0.75
		90	208	0.43
		90	240	0.38
		90	277	0.32
1	1080	120	120	1.00
		120	208	0.58
		120	240	0.50
		120	277	0.43