



# THE LUMECON RETROFIT & OEM COMPLETED PROJECTS



## D2125-01 LED Retrofit Kit



### Description

The D2125-01 retrofit kit is designed to upgrade the submitted fixture sample to the latest LED technology. Installation is designed to be simple and efficient using existing hardware. No drilling is required.

### Performance Data

Model	Watts	Delivered Lumens	Efficacy
D2125-01	55W	6,325 (est)	115 LPW (est)

## D2130-01 LED Retrofit Kit



### Description

The D2130-01 retrofit kit is designed to upgrade the submitted fixture sample to the latest LED technology. Installation is designed to be simple and efficient using existing hardware. No drilling is required.

### Performance Data

Model	Watts	Delivered Lumens	Efficacy
D2130-01	55W	6,325 (est)	115 LPW (est)

## D2115-01 LED Retrofit Kit



### Description

The D2115-01 retrofit kit is designed to upgrade the submitted fixture sample to the latest LED technology. Installation is designed to be simple and efficient using existing hardware. No drilling is required.

### Performance Data

Model	Watts	Delivered Lumens	Efficacy
D2115-01	130W	14,950 (est)	115 LPW (est)

## D2117-01 LED Retrofit Kit



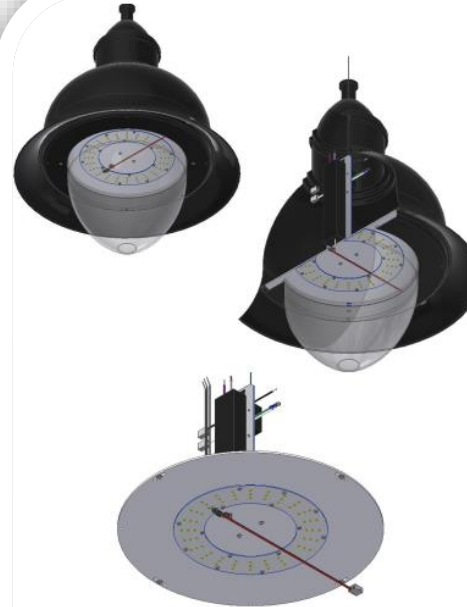
### Description

The D2117-01 retrofit kit is designed to upgrade the submitted fixture sample to the latest LED technology. Installation is designed to be simple and efficient using existing hardware. No drilling is required.

### Performance Data

Model	Watts	Delivered Lumens	Efficacy
D2117-01	20W	2,300 (est)	115 LPW (est)

## D2038-01 LED Retrofit Kit



### Description

The D2138-01 retrofit kit is designed to upgrade the submitted fixture sample to the latest LED technology. Installation is designed to be simple and efficient using existing hardware. No drilling is required.

### Performance Data

Model	Watts	Delivered Lumens	Efficacy
D2138-01	75W	8,625 (est)	115 LPW (est)

## D2133-01 LED Retrofit Kit



### Description

The D2133-01 retrofit kit is designed to upgrade the submitted fixture sample to the latest LED technology. Installation is designed to be simple and efficient using existing hardware. No drilling is required.

### Performance Data

Model	Watts	Delivered Lumens	Efficacy
D2133-01	65W	7,475 (est)	115 LPW (est)

## D2120-01 LED Retrofit Kit



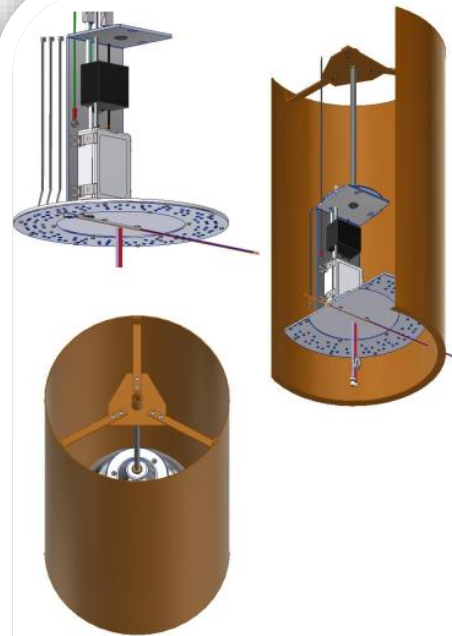
### Description

The D2120-01 retrofit kit is designed to upgrade the submitted fixture sample to the latest LED technology. Installation is designed to be simple and efficient using existing hardware. No drilling is required.

### Performance Data

Model	Watts	Delivered Lumens	Efficacy
D2120-01	82W	9,430 (est)	115 LPW (est)

## D2119-01 LED Retrofit Kit



### Description

The D2119-01 retrofit kit is designed to upgrade the submitted fixture sample to the latest LED technology. Installation is designed to be simple and efficient using existing hardware. No drilling is required.

### Performance Data

Model	Watts	Delivered Lumens	Efficacy
D2119-01	60W	6,900 (est)	115 LPW (est)

## D2121-01 LED Retrofit Kit



### Description

The D2121-01 retrofit kit is designed to upgrade the submitted fixture sample to the latest LED technology. Installation is designed to be simple and efficient using existing hardware. No drilling is required.

### Performance Data

Model	Watts	Delivered Lumens	Efficacy
D2121-01	37W	4,255 (est)	115 LPW (est)

## D2112-01 LED Retrofit Kit



### Description

The D2112-01 retrofit kit is designed to upgrade the submitted fixture sample to the latest LED technology. Installation is designed to be simple and efficient using existing hardware. No drilling is required.

### Performance Data

Model	Watts	Delivered Lumens	Efficacy
D2112-01	13W	1,500 (est)	115 LPW (est)

## D2110-01 LED Retrofit Kit



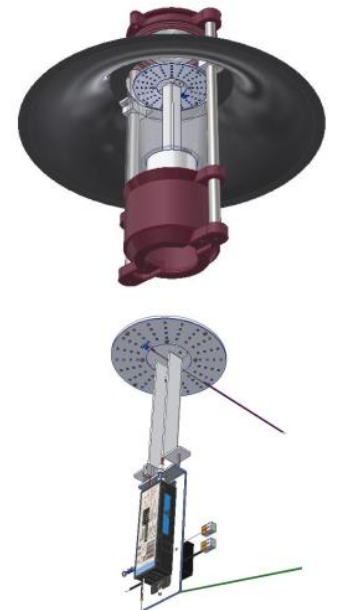
### Description

The D2110-01 retrofit kit is designed to upgrade the submitted fixture sample to the latest LED technology. Installation is designed to be simple and efficient using existing hardware. No drilling is required.

### Performance Data

Model	Watts	Delivered Lumens	Efficacy
D2110-01	100W	11,500	115 LPW (est)

## D2106-01 LED Retrofit Kit



### Description

The D2106-01 retrofit kit is designed to upgrade the submitted fixture sample to the latest LED technology. Installation is designed to be simple and efficient using existing hardware. No drilling is required.

### Performance Data

Model	Watts	Delivered Lumens	Efficacy
D2106-01	40W	4,600 (est)	115 LPW (est)

## D2139-01 LED Retrofit Kit



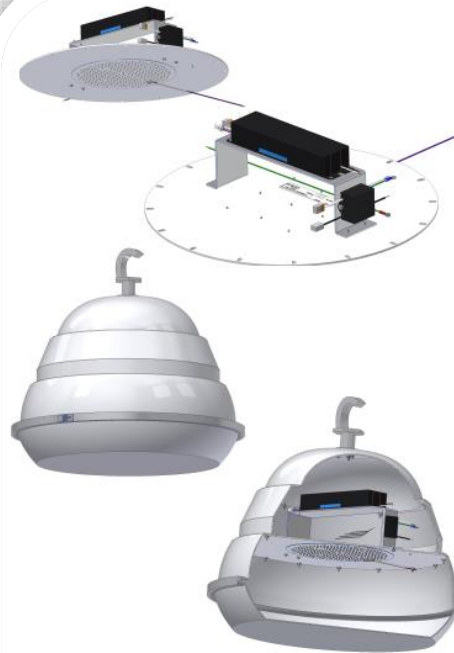
### Description

The D2139-01 retrofit kit is designed to upgrade the submitted fixture sample to the latest LED technology. Installation is designed to be simple and efficient using existing hardware. No drilling is required.

### Performance Data

Model	Watts	Delivered Lumens	Efficacy
D2139-01	75W	8,625 (est)	115 LPW (est)

## D2147-01 LED Retrofit Kit



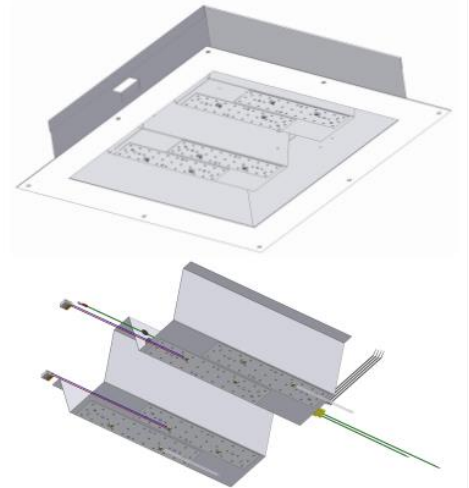
### Description

The D2147-01 retrofit kit is designed to upgrade the submitted fixture sample to the latest LED technology. Installation is designed to be simple and efficient using existing hardware. No drilling is required.

### Performance Data

Model	Watts	Delivered Lumens	Efficacy
D2147-01	125W	14,375 (est)	115 LPW (est)

## D2136-01 LED Retrofit Kit



### Description

The D2136-01 retrofit kit is designed to upgrade the submitted fixture sample to the latest LED technology. Installation is designed to be simple and efficient using existing hardware. No drilling is required.

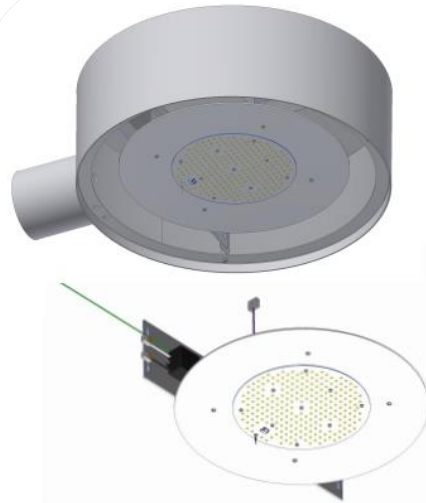
### Performance Data

Model	Watts	Delivered Lumens	Efficacy
D2136-01	40W	4,600 (est)	115 LPW (est)



# LUMECON OEM & RETROFIT CATALOG

## D2134-01 LED Retrofit Kit



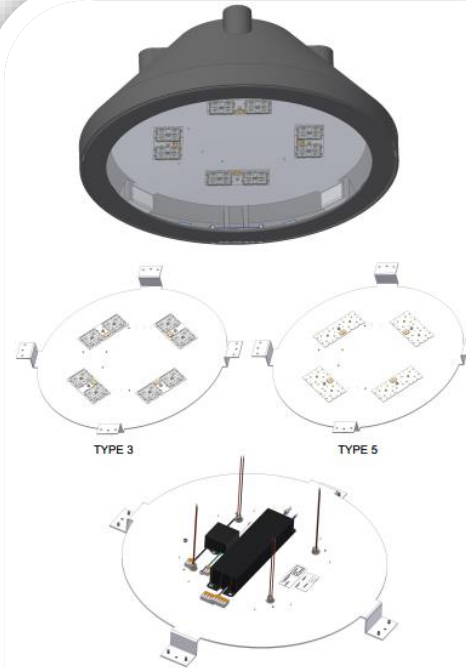
### Description

The D2134-01 retrofit kit is designed to upgrade the submitted fixture sample to the latest LED technology. Installation is designed to be simple and efficient using existing hardware. No drilling is required.

### Performance Data

Model	Watts	Delivered Lumens	Efficacy
D 2134-01	120W	13,800 (est)	115 LPW (est)

## D2135-01/02 LED Retrofit Kit



### Description

The D2135 retrofit kit is designed to upgrade the submitted fixture sample to the latest LED technology. Installation is designed to be simple and efficient using existing hardware. No drilling is required.

### Performance Data

Model	Watts	Delivered Lumens	Efficacy
D 2135-01/02	115W	13,225 (est)	115 LPW (est)

## D2131-01/02 LED Retrofit Kit



### Description

The D2131-01 retrofit kit is designed to upgrade the submitted fixture sample to the latest LED technology. Installation is designed to be simple and efficient using existing hardware. No drilling is required.

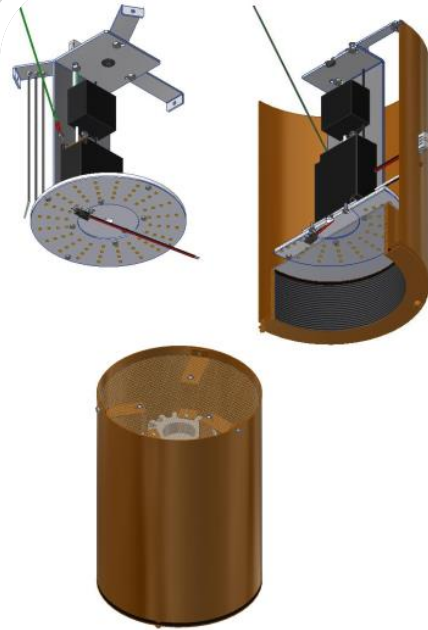
### Performance Data

Model	Watts	Delivered Lumens	Efficacy
D 2131-01/02	55W	6,325 (est)	115 LPW (est)



# LUMECON OEM & RETROFIT CATALOG

## D2118-01 LED Retrofit Kit



### Description

The D2118-01 retrofit kit is designed to upgrade the submitted fixture sample to the latest LED technology. Installation is designed to be simple and efficient using existing hardware. No drilling is required.

### Performance Data

Model	Watts	Delivered Lumens	Efficacy
D2118-01	35W	4,025 (est)	115 LPW (est)

## D2124-01 LED Retrofit Kit



### Description

The D2124-01 retrofit kit is designed to upgrade the submitted fixture sample to the latest LED technology. Installation is designed to be simple and efficient using existing hardware. No drilling is required.

### Performance Data

Model	Watts	Delivered Lumens	Efficacy
D2124-01	55W	6,434(est)	115 LPW (est)

## D2114-01 LED Retrofit Kit



### Description

The D2114-01 retrofit kit is designed to upgrade the submitted fixture sample to the latest LED technology. Installation is designed to be simple and efficient using existing hardware. No drilling is required.

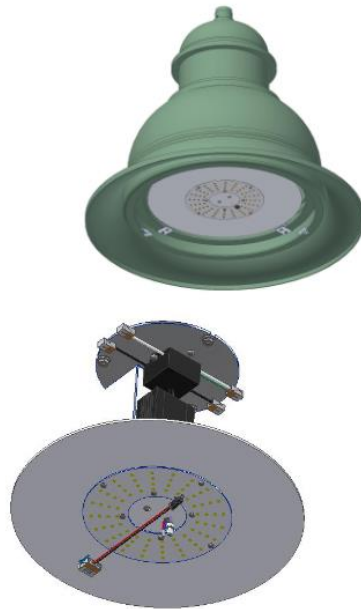
### Performance Data

Model	Watts	Delivered Lumens	Efficacy
D2114-01	18W	2,070 (est)	115 LPW (est)



# LUMECON OEM & RETROFIT CATALOG

## D2111-01 LED Retrofit Kit



### Description

The D2111-01 retrofit kit is designed to upgrade the submitted fixture sample to the latest LED technology. Installation is designed to be simple and efficient using existing hardware. No drilling is required.

### Performance Data

Model	Watts	Delivered Lumens	Efficacy
D2111-01	55W	6,325 (est)	115 LPW (est)

## D2116-01 LED Retrofit Kit



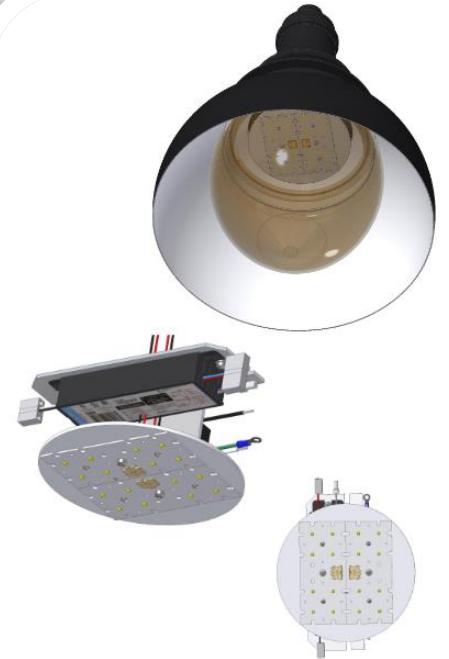
### Description

The D2116-01 retrofit kit is designed to upgrade the submitted fixture sample to the latest LED technology. Installation is designed to be simple and efficient using existing hardware. No drilling is required.

### Performance Data

Model	Watts	Delivered Lumens	Efficacy
D2116-01	43W	4,945 (est)	115 LPW (est)

## D2140-01 LED Retrofit Kit



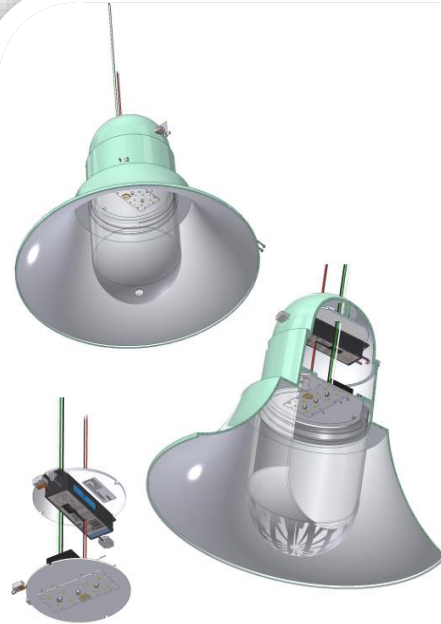
### Description

The D2140-01 retrofit kit is designed to upgrade the submitted fixture sample to the latest LED technology. Installation is designed to be simple and efficient using existing hardware. No drilling is required.

### Performance Data

Model	Watts	Delivered Lumens	Efficacy
D2140-01	40W	4,600 (est)	115 LPW (est)

## D2149-01 LED Retrofit Kit



### Description

The D2149-01 retrofit kit is designed to upgrade the submitted fixture sample to the latest LED technology. Installation is designed to be simple and efficient using existing hardware. No drilling is required.

### Performance Data

Model	Watts	Delivered Lumens	Efficacy
D2149-01	35W	4,025 (est)	115 LPW (est)

## D2146-01 LED Retrofit Kit



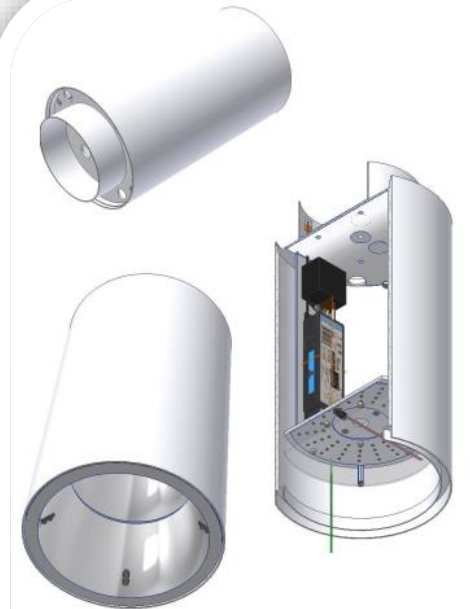
### Description

The D2146-01 retrofit kit is designed to upgrade the submitted fixture sample to the latest LED technology. Installation is designed to be simple and efficient using existing hardware. No drilling is required.

### Performance Data

Model	Watts	Delivered Lumens	Efficacy
D2146-01	70W	8,050 (est)	115 LPW (est)

## D2156-01 LED Retrofit Kit



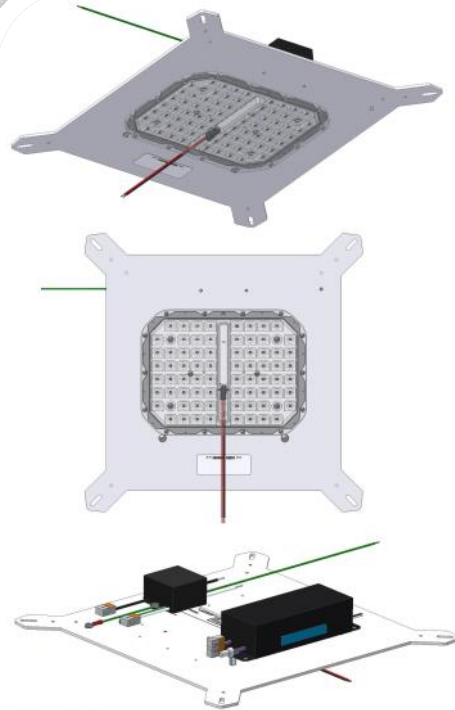
### Description

The D2156-01 retrofit kit is designed to upgrade the submitted fixture sample to the latest LED technology. Installation is designed to be simple and efficient using existing hardware. No drilling is required.

### Performance Data

Model	Watts	Delivered Lumens	Efficacy
D2156-01	45W	5,175 (est)	115 LPW (est)

## D2160-01 LED Retrofit Kit



### Description

The D2160-01 retrofit kit is designed to upgrade the submitted fixture sample to the latest LED technology. Installation is designed to be simple and efficient using existing hardware. No drilling is required.

### Performance Data

Model	Watts	Delivered Lumens	Efficacy
D2160-01	45W	5,175(est)	115 LPW (est)

## D2162-01 LED Retrofit Kit



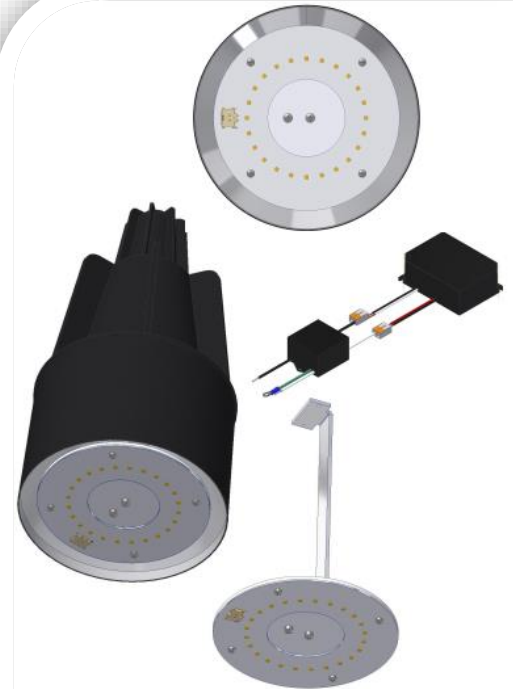
### Description

The D2162-01 retrofit kit is designed to upgrade the submitted fixture sample to the latest LED technology. Installation is designed to be simple and efficient using existing hardware. No drilling is required.

### Performance Data

Model	Watts	Delivered Lumens	Efficacy
D2162-01	85W	9,775 (est)	115 LPW (est)

## D2157-01 LED Retrofit Kit



### Description

The D2157-01 retrofit kit is designed to upgrade the submitted fixture sample to the latest LED technology. Installation is designed to be simple and efficient using existing hardware. No drilling is required.

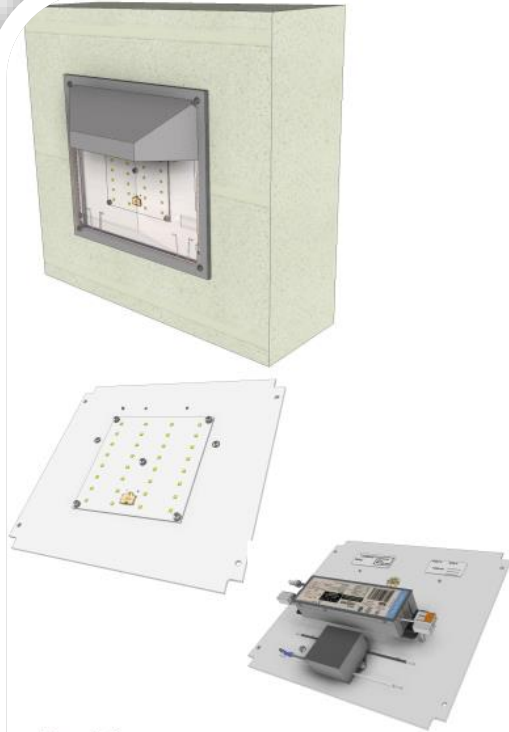
### Performance Data

Model	Watts	Delivered Lumens	Efficacy
D2157-01	36W	4,140 (est)	115 LPW (est)



# LUMECON OEM & RETROFIT CATALOG

## D2151-01 LED Retrofit Kit



### Description

The D2151-01 retrofit kit is designed to upgrade the submitted fixture sample to the latest LED technology. Installation is designed to be simple and efficient using existing hardware. No drilling is required.

### Performance Data

Model	Watts	Delivered Lumens	Efficacy
D2151-01	35W	4,025 (est)	115 LPW (est)

## D2155-01 LED Retrofit Kit



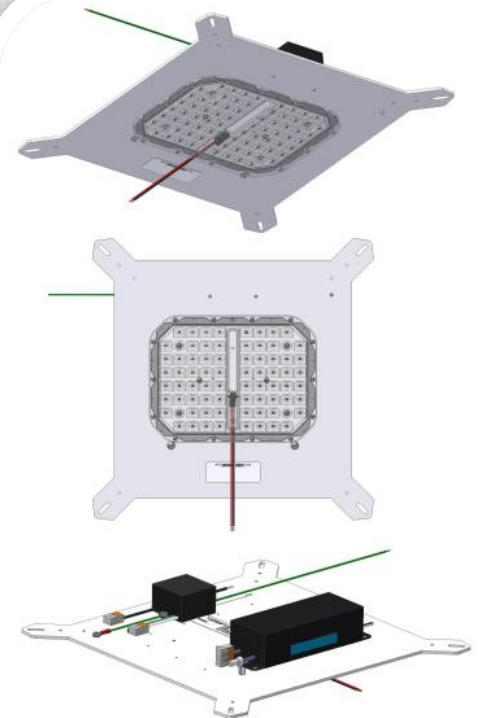
### Description

The D2155-01 retrofit kit is designed to upgrade the submitted fixture sample to the latest LED technology. Installation is designed to be simple and efficient using existing hardware. No drilling is required.

### Performance Data

Model	Watts	Delivered Lumens	Efficacy
D2155-01	105W	12,075 (est)	115 LPW (est)

## D2160-01 LED Retrofit Kit



### Description

The D2160-01 retrofit kit is designed to upgrade the submitted fixture sample to the latest LED technology. Installation is designed to be simple and efficient using existing hardware. No drilling is required.

### Performance Data

Model	Watts	Delivered Lumens	Efficacy
D2160-01	45W	5,175(est)	115 LPW (est)



# LUMECON OEM & RETROFIT CATALOG

## D2158-01 LED Retrofit Kit



### Description

The D2158-01 retrofit kit is designed to upgrade the submitted fixture sample to the latest LED technology. Installation is designed to be simple and efficient using existing hardware. No drilling is required.

### Performance Data

Model	Watts	Delivered Lumens	Efficacy
D2158-01	65W	7,475 (est)	115 LPW (est)

## D2159-02 LED Retrofit Kit



### Description

The D2159-02 retrofit kit is designed to upgrade the submitted fixture sample to the latest LED technology. Installation is designed to be simple and efficient using existing hardware. No drilling is required.

### Performance Data

Model	Watts	Delivered Lumens	Efficacy
D2159-02	100W	14,950 (est)	130 LPW

D2159-01 300W KIT\*

D2159-02 100W KIT\*

## D2159-01 LED Retrofit Kit



### Description

The D2159-01 retrofit kit is designed to upgrade the submitted fixture sample to the latest LED technology. Installation is designed to be simple and efficient using existing hardware. No drilling is required.

### Performance Data

Model	Watts	Delivered Lumens	Efficacy
D2159-01	300W	40,950 (est)	130 LPW

D2159-01 300W KIT\*

D2159-02 100W KIT\*



# LUMECON OEM & RETROFIT CATALOG

## D2165-01 LED Retrofit Kit



### Description

The D2165-01 retrofit kit is designed to upgrade the submitted fixture sample to the latest LED technology. Installation is designed to be simple and efficient using existing hardware. No drilling is required.

### Performance Data

Model	Watts	Delivered Lumens	Efficacy
D2165-01	55W	6,325 (est)	115 LPW (est)

## D2169-01 LED Retrofit Kit



### Description

The D2169-01 retrofit kit is designed to upgrade the submitted fixture sample to the latest LED technology. Installation is designed to be simple and efficient using existing hardware. No drilling is required.

### Performance Data

Model	Watts	Delivered Lumens	Efficacy
D2169-01	55W	6,325 (est)	115 LPW (est)

## D2175-01 LED Retrofit Kit



### Description

The D2175-01 retrofit kit is designed to upgrade the submitted fixture sample to the latest LED technology. Installation is designed to be simple and efficient using existing hardware. No drilling is required.

### Performance Data

Model	Watts	Delivered Lumens	Efficacy
D2175-01	62W	7,130(est)	115 LPW (est)



# LUMECON OEM & RETROFIT CATALOG

## D2177-01 LED Retrofit Kit



### Description

The D2177-01 retrofit kit is designed to upgrade the submitted fixture sample to the latest LED technology. Installation is designed to be simple and efficient using existing hardware. No drilling is required.

### Performance Data

Model	Watts	Delivered Lumens	Efficacy
D 2177-01	50W	5,750 (est)	115 LPW (est)

## D2182-01 LED Retrofit Kit



### Description

The D2182-01 retrofit kit is designed to upgrade the submitted fixture sample to the latest LED technology. Installation is designed to be simple and efficient using existing hardware. No drilling is required.

### Performance Data

Model	Watts	Delivered Lumens	Efficacy
D 2182-01	32W	4,320 (est)	135 LPW (est)

## D2189-01 LED Retrofit Kit



### Description

The D2189-01 retrofit kit is designed to upgrade the submitted fixture sample to the latest LED technology. Installation is designed to be simple and efficient using existing hardware. No drilling is required.

### Performance Data

Model	Watts	Delivered Lumens	Efficacy
D 2189-01	60W	8,100 (est)	135 LPW (est)



# LUMECON OEM & RETROFIT CATALOG

## D2185-01 LED Retrofit Kit



### Description

The D2185-01 retrofit kit is designed to upgrade the submitted fixture sample to the latest LED technology. Installation is designed to be simple and efficient using existing hardware. No drilling is required.

### Performance Data

Model	Watts	Delivered Lumens	Efficacy
D2185-01	10W	1,350 (est)	135 LPW (est)

## D2189-01 LED Retrofit Kit



### Description

The D2189-01 retrofit kit is designed to upgrade the submitted fixture sample to the latest LED technology. Installation is designed to be simple and efficient using existing hardware. No drilling is required.

### Performance Data

Model	Watts	Delivered Lumens	Efficacy
D2189-01	60W	8,100 (est)	135 LPW (est)

## D2191-01 LED Retrofit Kit



### Description

The D2191-01 retrofit kit is designed to upgrade the submitted fixture sample to the latest LED technology. Installation is designed to be simple and efficient using existing hardware. No drilling is required.

### Performance Data

Model	Watts	Delivered Lumens	Efficacy
D2191-01	120W	16,200(est)	135LPW (est)

## D2192-01 LED Retrofit Kit



### Description

The D2192-01 retrofit kit is designed to upgrade the submitted fixture sample to the latest LED technology. Installation is designed to be simple and efficient using existing hardware. No drilling is required.

### Performance Data

Model	Watts	Delivered Lumens	Efficacy
D 2192-01	60W	8,100 (est)	135 LPW (est)

## D2193-01 LED Retrofit Kit



### Description

The D2193-01 retrofit kit is designed to upgrade the submitted fixture sample to the latest LED technology. Installation is designed to be simple and efficient using existing hardware. No drilling is required.

### Performance Data

Model	Watts	Delivered Lumens	Efficacy
D 2193-01	40W	5,400 (est)	135 LPW (est)

## D2194-01 LED Retrofit Kit



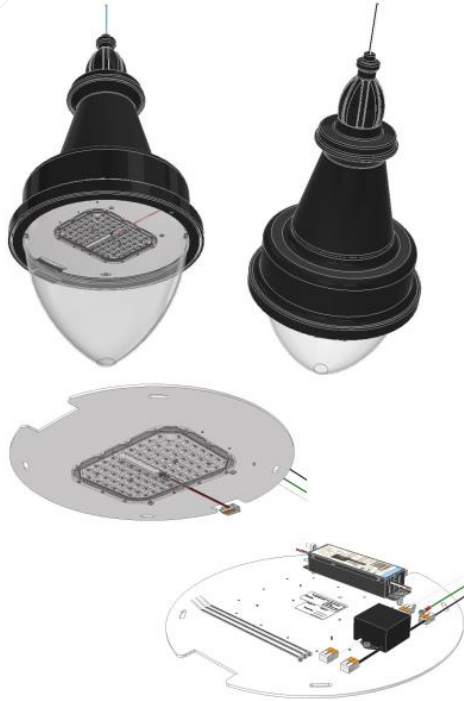
### Description

The D2194-01 retrofit kit is designed to upgrade the submitted fixture sample to the latest LED technology. Installation is designed to be simple and efficient using existing hardware. No drilling is required.

### Performance Data

Model	Watts	Delivered Lumens	Efficacy
D 2194-01	60W	8,100 (est)	135 LPW (est)

## D2195-01 LED Retrofit Kit



### Description

The D2195-01 retrofit kit is designed to upgrade the submitted fixture sample to the latest LED technology. Installation is designed to be simple and efficient using existing hardware. No drilling is required.

### Performance Data

Model	Watts	Delivered Lumens	Efficacy
D 2195-01	55W	7,425 (est)	135LPW (est)

## D2198-01 LED Retrofit Kit



### Description

The D2198-01 retrofit kit is designed to upgrade the submitted fixture sample to the latest LED technology. Installation is designed to be simple and efficient using existing hardware. No drilling is required.

### Performance Data

Model	Watts	Delivered Lumens	Efficacy
D 2198-01	100W	13,500 (est)	135LPW (est)

## D2200-01 LED Retrofit Kit



### Description

The D2200-01 retrofit kit is designed to upgrade the submitted fixture sample to the latest LED technology. Installation is designed to be simple and efficient using existing hardware. No drilling is required.

### Performance Data

Model	Watts	Delivered Lumens	Efficacy
D 2200-01	80W	10,800 (est)	135LPW (est)



# LUMECON OEM & RETROFIT CATALOG

## D2202-01 OEM CUSTOM KIT



### Description

The D2202-01 retrofit kit is designed to upgrade the submitted fixture sample to the latest LED technology. Installation is designed to be simple and efficient using existing hardware. No drilling is required.

### Performance Data

Model	Watts	Delivered Lumens	Efficacy
D 2202-01	60W	8,100 (est)	135LPW (est)

## D2203-01 LED Retrofit Kit



### Description

The D2203-01 retrofit kit is designed to upgrade the submitted fixture sample to the latest LED technology. Installation is designed to be simple and efficient using existing hardware. No drilling is required.

### Performance Data

Model	Watts	Delivered Lumens	Efficacy
D 2203-01	60W	8,100 (est)	135LPW (est)

## D2212-01 OEM CUSTOM KIT



### Description

The D2212-01 retrofit kit is designed to upgrade the submitted fixture sample to the latest LED technology. Installation is designed to be simple and efficient using existing hardware. No drilling is required.

### Performance Data

Model	Watts	Delivered Lumens	Efficacy
D2212-01	130W	17,550 (est)	135LPW (est)

## D2213-01 LED RETROFIT KIT



### Description

The D2213-01 retrofit kit is designed to upgrade the submitted fixture sample to the latest LED technology. Installation is designed to be simple and efficient using existing hardware. No drilling is required.

### Performance Data

Model	Watts	Delivered Lumens	Efficacy
D 2213-01	85W	11,475 (est)	135LPW (est)

## D2214-01 LED RETROFIT KIT



### Description

The D2214-01 retrofit kit is designed to upgrade the submitted fixture sample to the latest LED technology. Installation is designed to be simple and efficient using existing hardware. No drilling is required.

### Performance Data

Model	Watts	Delivered Lumens	Efficacy
D 2214-01	85W	11,475 (est)	135LPW (est)

## D2215-01 LED RETROFIT KIT



### Description

The D2215-01 retrofit kit is designed to upgrade the submitted fixture sample to the latest LED technology. Installation is designed to be simple and efficient using existing hardware. No drilling is required.

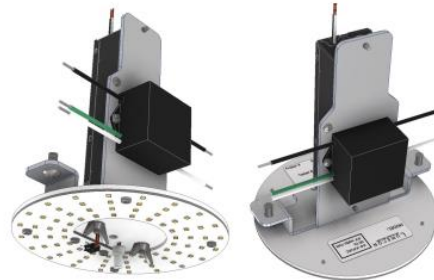
### Performance Data

Model	Watts	Delivered Lumens	Efficacy
D 2215-01	70W	9,450 (est)	135LPW (est)



# LUMECON OEM & RETROFIT CATALOG

## D2220-01 LED RETROFIT KIT



### Description

The D2220-01 retrofit kit is designed to upgrade the submitted fixture sample to the latest LED technology. Installation is designed to be simple and efficient using existing hardware. No drilling is required.

### Performance Data

Model	Watts	Delivered Lumens	Efficacy
D2220-01	58W	7,830 (est)	135 LPW (est)

## M2201-01 OEM CUSTOM KIT HANOVER PROVIDENCE 1630



### Description

The M2201-01 OEM kit is custom designed for the Hanover Providence 1630 Post Top Fixture. The LED board features precision optical-grade acrylic lenses, which direct light exactly where it is needed. The kit is available in multiple wattages, color temperatures, and optical distribution patterns.

### Ordering Information

M2201-01 Options / Ordering Example: M2201-01-40-T5-40-1

Wattage	Distribution	Color Temperature	Voltage
20 - 40 Watts	T3 - Type III	22 - 2200K	1 - 120V - 277V
40 - 50 Watts	T5 - Type V	27 - 2700K	
60 - 60 Watts		30 - 3000K	
		40 - 4000K	
		50 - 5000K	

## M2218-01 OEM CUSTOM KIT HANOVER PLYMOUTH 9600 SERIES POST TOP



### Description

The M2218-01 retrofit kit is custom designed for the Hanover 9600 carriage-style fixture. The LED board features precision optical-grade acrylic lenses, which direct light exactly where it is needed. The kit is available in multiple wattages, color temperatures, and optical distribution patterns.

### Ordering Information

M2218-01 Options / Ordering Example: M2218-01-40-T5-40-1

Wattage	Distribution	Color Temperature	Voltage
40 - 40 Watts	T3 - Type III	22 - 2200K	1 - 120V - 277V
50 - 50 Watts	T5 - Type V	27 - 2700K	
		30 - 3000K	
		40 - 4000K	
		50 - 5000K	



# LUMECON OEM & RETROFIT CATALOG

## D2199-01 LED Retrofit Kit



### Description

The D2199-01 retrofit kit is designed to upgrade the submitted fixture sample to the latest LED technology. Installation is designed to be simple and efficient using existing hardware. No drilling is required.

### Performance Data

Model	Watts	Delivered Lumens	Efficacy
D2199-01	45W	6,975 (est)	155LPW (est)

## D2199-02 LED Retrofit Kit



### Description

The D2199-02 retrofit kit is designed to upgrade the submitted fixture sample to the latest LED technology. Installation is designed to be simple and efficient using existing hardware. No drilling is required.

### Performance Data

Model	Watts	Delivered Lumens	Efficacy
D2199-02	100W	15,500 (est)	155LPW (est)

## D2217-01 LED RETROFIT KIT



### Description

The D2217-01 retrofit kit is designed to upgrade the submitted fixture sample to the latest LED technology. Installation is designed to be simple and efficient using existing hardware. No drilling is required.

### Performance Data

Model	Watts	Delivered Lumens	Efficacy
D2217-01	65W	8,775 (est)	135 LPW (est)



# LUMECON OEM & RETROFIT CATALOG

## D2224-01 LED RETROFIT KIT



### Description

The D2224-01 retrofit kit is designed to upgrade the submitted fixture sample to the latest LED technology. Installation is designed to be simple and efficient using existing hardware. No drilling is required. Battery Backup Optional.

**ORDERING INFO** D2224-01 LED Retrofit Kit Only / D2224-01-BB LED Retrofit Kit with Battery Backup

### Performance Data

Model	Watts	Delivered Lumens	Efficacy
D2224-01	85W	11,475 (est)	135 LPW (est)

## D2228-01 LED RETROFIT KIT



### Description

The D2228-01 retrofit kit is designed to upgrade the submitted fixture sample to the latest LED technology. Installation is designed to be simple and efficient using existing hardware. No drilling is required.

**ORDERING:** D2228-01-T3-1-40-90 - Optional Distributions: T2, T4 and T5.

### Performance Data

Model	Watts	Delivered Lumens	Efficacy
D2228-01	90W	12,150 (est)	135 LPW (est)

## M2221-01 OEM CUSTOM KIT HANOVER CLIFTON PARK POST TOP KIT



### Description

The M2221 fixture is a cast aluminum post top style housing with a acrylic diffused globe. The fixture is intended for decorative residential light applications where the precision designed posts can direct light in a Type 3 or 5 pattern. Available in multiple wattages, and color temperatures.

### Ordering Information

M2221-01 Options / Ordering Example: M2221-01-20-T5-40-1

Wattage	Distribution	Color Temperature	Voltage
20 - 20 Watts	T3 - Type III	22 - 2200K	1 - 120V - 277V
40 - 40 Watts	T5 - Type V	27 - 2700K	
		30 - 3000K	
		40 - 4000K	
		50 - 5000K	

\*Inquire with sales for additional fixture options.



# LUMECON OEM & RETROFIT CATALOG

## D2225-01 LED RETROFIT KIT



### Description

The D2225-01 retrofit kit is designed to upgrade the submitted fixture sample to the latest LED technology. Installation is designed to be simple and efficient using existing hardware. No drilling required.

### ORDERING INFO: D2225-45-1-40K-T5

WATTAGE	VOLTAGE	K-TEMP	OPTIC TYPE
35W	1 - 120-277V	22 - 2200K	TYPE 2
45W		27 - 2700K	TYPE 3
		30 - 3000K	TYPE 4
		40 - 4000K	TYPE 5
		50 - 5000K	

### Performance Data

Model	Watts	Delivered Lumens	Efficacy
D2225-01	45W	6,075 (est)	135 LPW (est)

## D2226-01 LED RETROFIT KIT



### Description

The D2226-01 retrofit kit is designed to upgrade the submitted fixture sample to the latest LED technology. Installation is designed to be simple and efficient using existing hardware. No drilling required.

### ORDERING INFO: D2226-35-1-40K-T5

WATTAGE	VOLTAGE	K-TEMP	OPTIC TYPE
35W	1 - 120-277V	22 - 2200K	TYPE 2
		27 - 2700K	TYPE 3
		30 - 3000K	TYPE 4
		40 - 4000K	TYPE 5
		50 - 5000K	

### Performance Data

Model	Watts	Delivered Lumens	Efficacy
D2226-01	35W	4,725 (est)	135 LPW (est)

## D2227-01 LED RETROFIT KIT



### Description

The D2227-01 retrofit kit is designed to upgrade the submitted fixture sample to the latest LED technology. Installation is designed to be simple and efficient using existing hardware. No drilling required.

### ORDERING INFO: D2227-55-1-40K-T4

WATTAGE	VOLTAGE	K-TEMP	OPTIC TYPE
25W	1 - 120-277V	22 - 2200K	TYPE 2
55W		27 - 2700K	TYPE 3
		30 - 3000K	TYPE 4
		40 - 4000K	TYPE 5
		50 - 5000K	

### Performance Data

Model	Watts	Delivered Lumens	Efficacy
D2227-01	55W	7,425 (est)	135 LPW (est)



# LUMECON OEM & RETROFIT CATALOG

## D2228-01 LED RETROFIT KIT



### Description

The D2228-01 retrofit kit is designed to upgrade the submitted fixture sample to the latest LED technology. Installation is designed to be simple and efficient using existing hardware. No drilling required.

### ORDERING INFO: D2228-90-1-40K-T3

WATTAGE	VOLTAGE	K-TEMP	OPTIC TYPE
90W	1 - 120-277V	22 - 2200K	TYPE 2
		27 - 2700K	TYPE 3
		30 - 3000K	TYPE 4
		40 - 4000K	TYPE 5
		50 - 5000K	

### Performance Data

Model	Watts	Delivered Lumens	Efficacy
D2228-01	90W	12,150 (est)	135 LPW (est)

## D2229-01 LED RETROFIT KIT



### Description

The D2229-01 retrofit kit is designed to upgrade the submitted fixture sample to the latest LED technology. Installation is designed to be simple and efficient using existing hardware. No drilling required.

### ORDERING INFO: D2229-55-1-40K-T5

WATTAGE	VOLTAGE	K-TEMP	OPTIC TYPE
55W	1 - 120-277V	22 - 2200K	TYPE 2
		27 - 2700K	TYPE 3
		30 - 3000K	TYPE 4
		40 - 4000K	TYPE 5
		50 - 5000K	

### Performance Data

Model	Watts	Delivered Lumens	Efficacy
D2229-01	55W	7,425 (est)	135 LPW (est)

## D2230-01 LED RETROFIT KIT

FIG.1

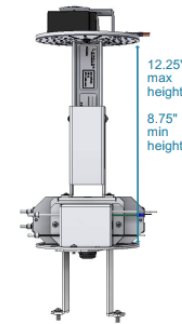


FIG.1 TALL RISER

FIG.2

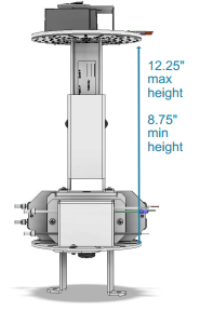


FIG. 2 SHORT RISER

### Description

The D2230-01 retrofit kit is designed to upgrade the submitted fixture sample to the latest LED technology. Installation is designed to be simple and efficient using existing hardware. No drilling is required.

### ORDERING INFO: D2230-01-55-1-40-SR

WATTAGE	VOLTAGE	K-TEMP	RISER HEIGHT
45W	1 - 120-277V	22 - 2200K	TR - TALL RISER *Tall Fitter
55W	2 - 347-480V	27 - 2700K	SR - SHORT RISER *Short Fitter
65W		30 - 3000K	
		40 - 4000K	
		50 - 5000K	

### Performance Data

Model	Watts	Eqiv	Delivered Lumens	Efficacy
D2230-01	45W	175W HID	5,490	122 LPW
D2230-01	55W	250W HID	6,600	120 LPW
D2230-01	65W	250W HID	7,865	121 LPW



# LUMECON OEM & RETROFIT CATALOG

## D2231-01 LED RETROFIT KIT



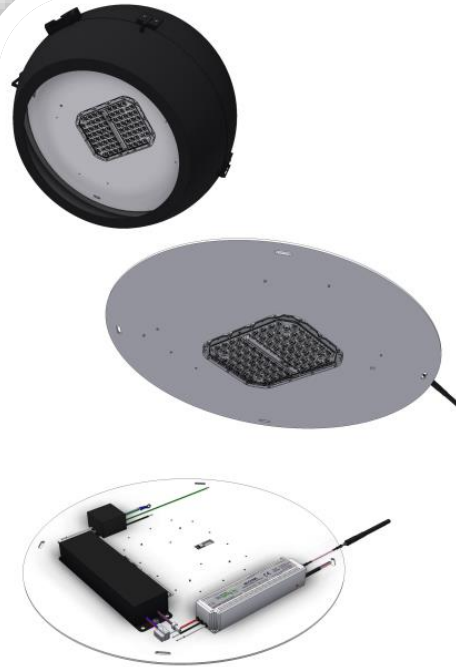
### Description

The D2231-01 retrofit kit is designed to upgrade the submitted fixture sample to the latest LED technology. Installation is designed to be simple and efficient using existing hardware. No drilling is required.

### Performance Data

Model	Watts	Delivered Lumens	Efficacy
D2231-01	17W	2,295 (est)	135 LPW (est)

## D2232-01 LED RETROFIT KIT



### Description

The D2232-01 retrofit kit is designed to upgrade the submitted fixture sample to the latest LED technology. Installation is designed to be simple and efficient using existing hardware. No drilling is required. CIMCON antennae controller included with the kit.

### Performance Data

Model	Watts	Delivered Lumens	Efficacy
D2232-01	120W	16,200 (est)	135 LPW (est)

## D2233-01 LED RETROFIT KIT



### Description

The D2233-01 retrofit kit is designed to upgrade the submitted fixture sample to the latest LED technology. Installation is designed to be simple and efficient using existing hardware. No drilling is required. CIMCON Antennae controller included in kit.

### Performance Data

Model	Watts	Delivered Lumens	Efficacy
D2233-01	60W	8,100 (est)	135 LPW (est)

## D2236-01 LED RETROFIT KIT



### Description

The D2236-01 retrofit kit is designed to upgrade the submitted fixture sample to the latest LED technology. Installation is designed to be simple and efficient using existing hardware. No drilling is required.

### Performance Data

Model	Watts	Delivered Lumens	Efficacy
D2236-01	50W	6,750 (est)	135 LPW (est)

## D2237-01 LED RETROFIT KIT



### Description

The D2237-01 retrofit kit is designed to upgrade the submitted fixture sample to the latest LED technology. Installation is designed to be simple and efficient using existing hardware. No drilling is required.

### Performance Data

Model	Watts	Delivered Lumens	Efficacy
D2237-01	28W	3,780 (est)	135 LPW (est)

## D2238-01 LED RETROFIT KIT



### Description

The D2238-01 retrofit kit is designed to upgrade the submitted fixture sample to the latest LED technology. Installation is designed to be simple and efficient using existing hardware. No drilling is required.

**Ordering Info:**  
D2238-01-60-1-50  
D2238-01-85-1-50

### Performance Data

Model	Watts	Delivered Lumens	Efficacy
D2238-01	60W	8,100 (est)	135 LPW (est)
D2238-01	85W	11,475 (est)	135 LPW (est)



# LUMECON OEM & RETROFIT CATALOG

## D2240-01 LED RETROFIT KIT



### Description

The D2240-01 retrofit kit is designed to upgrade the submitted fixture sample to the latest LED technology. Installation is designed to be simple and efficient using existing hardware. No drilling is required.

### Performance Data

Model	Watts	Delivered Lumens	Efficacy
D2240-01	25W	4,000 (est)	160 LPW (est)

## D2241-01 LED RETROFIT KIT



### Description

The D2241-01 retrofit kit is designed to upgrade the submitted fixture sample to the latest LED technology. Installation is designed to be simple and efficient using existing hardware. No drilling is required.

### Performance Data

Model	Watts	Delivered Lumens	Efficacy
D2241-01	60W	8,100 (est)	135 LPW (est)

## D2242-01 LED RETROFIT KIT



### Description

The D2242-01 retrofit kit is designed to upgrade the submitted fixture sample to the latest LED technology. Installation is designed to be simple and efficient using existing hardware. No drilling is required.

### Performance Data

Model	Watts	Delivered Lumens	Efficacy
D2242-01	60W	8,100 (est)	135 LPW (est)



# LUMECON OEM & RETROFIT CATALOG

## D2243-01 LED RETROFIT KIT



### Description

The D2243-01 retrofit kit is designed to upgrade the submitted fixture sample to the latest LED technology. Installation is designed to be simple and efficient using existing hardware. No drilling is required.

### Performance Data

Model	Watts	Delivered Lumens	Efficacy
D2243-01	60W	8,100 (est)	135 LPW (est)

## D2244-01 LED RETROFIT KIT



### Description

The D2244-01 retrofit kit is designed to upgrade the submitted fixture sample to the latest LED technology. Installation is designed to be simple and efficient using existing hardware. No drilling is required.

### Performance Data

Model	Watts	Delivered Lumens	Efficacy
D2244-01	60W	8,100 (est)	135 LPW (est)

## D2246-01 LED RETROFIT KIT



### Ordering Info

D2246-01-85-1-40-T5

### Description

The D2246-01 retrofit kit is designed to upgrade the submitted fixture sample to the latest LED technology. Installation is designed to be simple and efficient using existing hardware. No drilling is required.

### Performance Data

Model	Watts	Delivered Lumens	Efficacy
D2246-01	85W	11,475 (est)	135 LPW (est)

## D2248-01 LED RETROFIT KIT



### Ordering Info

D2248-01-85-1-40-T5

### Description

The D2248-01 retrofit kit is designed to upgrade the submitted fixture sample to the latest LED technology. Installation is designed to be simple and efficient using existing hardware. No drilling is required.

### Performance Data

Model	Watts	Delivered Lumens	Efficacy
D2248-01	85W	11,475 (est)	135 LPW (est)

## D2249-01 LED RETROFIT KIT



### Ordering Info

D2249-01-25-1-40-T5

### Description

The D2249-01 retrofit kit is designed to upgrade the submitted fixture sample to the latest LED technology. Installation is designed to be simple and efficient using existing hardware. No drilling is required.

### Performance Data

Model	Watts	Delivered Lumens	Efficacy
D2249-01	25W	3,375 (est)	135 LPW (est)

## D2251-01 LED RETROFIT KIT



### Ordering Info

D2251-01-85-1-40-T5

### Description

The D2251-01 retrofit kit is designed to upgrade the submitted fixture sample to the latest LED technology. Installation is designed to be simple and efficient using existing hardware. No drilling is required.

### Performance Data

Model	Watts	Delivered Lumens	Efficacy
D2251-01	85W	11,475 (est)	135 LPW (est)



# LUMECON OEM & RETROFIT CATALOG

## D2252-01 LED RETROFIT KIT



### Ordering Info

D2252-01-85-1-40-T5

### Description

The D2252-01 retrofit kit is designed to upgrade the submitted fixture sample to the latest LED technology. Installation is designed to be simple and efficient using existing hardware. No drilling is required.

### Performance Data

Model	Watts	Delivered Lumens	Efficacy
D2252-01	85W	11,475 (est)	135 LPW (est)

## D2254-01 LED RETROFIT KIT



### Ordering Info

D2254-01-25-1-30-T5

### Description

The D2254-01 retrofit kit is designed to upgrade the submitted fixture sample to the latest LED technology. Installation is designed to be simple and efficient using existing hardware. No drilling is required.

### Performance Data

Model	Watts	Delivered Lumens	Efficacy
D2254-01	25W	3,375 (est)	135 LPW (est)

## D2255-01 LED RETROFIT KIT



### Ordering Info

D2255-01-45-1-40-T3

### Description

The D2255-01 retrofit kit is designed to upgrade the submitted fixture sample to the latest LED technology. Installation is designed to be simple and efficient using existing hardware. No drilling is required.

### Performance Data

Model	Watts	Delivered Lumens	Efficacy
D2255-01	45W	6,075 (est)	135 LPW (est)

## D2256-01 LED RETROFIT KIT



### Description

The D2256-01 retrofit kit is designed to upgrade the submitted fixture sample to the latest LED technology. Installation is designed to be simple and efficient using existing hardware. No drilling is required.

### Performance Data

Model	Watts	Delivered Lumens	Efficacy
D2256-01	80W	10,800 (est)	135 LPW (est)

## D2258-01 LED RETROFIT KIT



### Ordering Info

D2258-01-135-1-40-T3

### Description

The D2258-01 retrofit kit is designed to upgrade the submitted fixture sample to the latest LED technology. Installation is designed to be simple and efficient using existing hardware. No drilling is required.

### Performance Data

Model	Watts	Delivered Lumens	Efficacy
D2258-01	135W	18,495 (est)	135 LPW (est)

## D2259-01 LED RETROFIT KIT



### Ordering Info

D2259-01-27-1-40-T5

### Description

The D2259-01 retrofit kit is designed to upgrade the submitted fixture sample to the latest LED technology. Installation is designed to be simple and efficient using existing hardware. No drilling is required.

### Performance Data

Model	Watts	Delivered Lumens	Efficacy
D2259-01	27W	3,645 (est)	135 LPW (est)

## D2260-01 LED RETROFIT KIT



### Description

The D2260-01 retrofit kit is designed to upgrade the submitted fixture sample to the latest LED technology. Installation is designed to be simple and efficient using existing hardware. No drilling is required.

### Performance Data

Model	Watts	Delivered Lumens	Efficacy
D2260-01	45W	6,075 (est)	135 LPW (est)

## D2262-01 LED RETROFIT KIT



### Ordering Info

D2262-35-1-30-T5

### Description

The D2262-01 retrofit kit is designed to upgrade the submitted fixture sample to the latest LED technology. Installation is designed to be simple and efficient using existing hardware. No drilling is required.

### Performance Data

Model	Watts	Delivered Lumens	Efficacy
D2262-01	35W	4,725 (est)	135 LPW (est)

## D2263-01 LED RETROFIT KIT



### Ordering Info

D2263-45-1-40-T3

### Description

The D2263-01 retrofit kit is designed to upgrade the submitted fixture sample to the latest LED technology. Installation is designed to be simple and efficient using existing hardware. No drilling is required.

### Performance Data

Model	Watts	Delivered Lumens	Efficacy
D2263-01	45W	6,075 (est)	135 LPW (est)



# LUMECON OEM & RETROFIT CATALOG

## D2264-01 LED RETROFIT KIT



**Ordering Info**  
D2264-110-1-40-T3

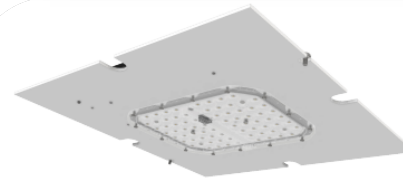
### Description

The D2264-01 retrofit kit is designed to upgrade the submitted fixture sample to the latest LED technology. Installation is designed to be simple and efficient using existing hardware. No drilling is required.

### Performance Data

Model	Watts	Delivered Lumens	Efficacy
D2264-01	110W	14,855 (est)	135 LPW (est)

## M2239-01 OEM CUSTOM KIT WASHINGTON HOA



### Description

The M2239 fixture is a cast aluminum carriage style housing with clear, beveled glass cage panels. The fixture is intended for decorative light applications where the precision optics can direct light to where it is needed most. Available in multiple wattages, color temperatures, and optic distributions.

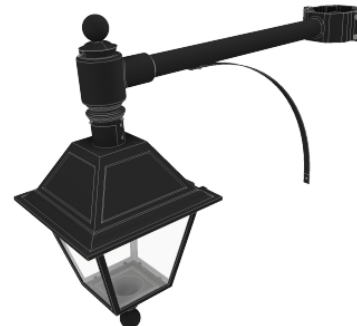
### Ordering Information

M2239-01 Options / Ordering Example: M2239-01-39-T5-27-1

Wattage	Distribution	Color Temperature	Voltage
39 - 39 Watts	T5 - Type V	22 - 2200K	1 - 120V - 277V
		27 - 2700K	
		30 - 3000K	
		40 - 4000K	
		50 - 5000K	

\*Inquire with sales for additional fixture options.

- 20 different finishes available: ABS = Antique Brass Standard
- 3 panel materials available: CG = Clear Glass, CA = Clear Acrylic, CP = Clear Polycarbonate.



## D2266-01 LED RETROFIT KIT



**Ordering Info**  
D2266-45-1-40-T5

### Description

The D2266-01 retrofit kit is designed to upgrade the submitted fixture sample to the latest LED technology. Installation is designed to be simple and efficient using existing hardware. No drilling is required.

### Performance Data

Model	Watts	Delivered Lumens	Efficacy
D2266-01	45W	6,075 (est)	135 LPW (est)



# LUMECON OEM & RETROFIT CATALOG

## D2267-01 LED RETROFIT KIT



### Ordering Info

D2267-55-1-30-T5

### Description

The D2167-01 retrofit kit is designed to upgrade the submitted fixture sample to the latest LED technology. Installation is designed to be simple and efficient using existing hardware. No drilling is required.

### Performance Data

Model	Watts	Delivered Lumens	Efficacy
D2167-01	55W	7,425 (est)	135 LPW (est)

## D2268-01 LED RETROFIT KIT



### Ordering Info

D2268-01-40-1-40-NR

### Description

The D2268-01 retrofit kit is designed to upgrade the submitted fixture sample to the latest LED technology. Installation is designed to be simple and efficient using existing hardware. No drilling is required.

### Performance Data

Model	Watts	Delivered Lumens	Efficacy
D2268-01	40W	5,400 (est)	135 LPW (est)

## D2269-01 LED RETROFIT KIT



### Ordering Info

D2269-01-55-1-30-T5

### Description

The D2269-01 retrofit kit is designed to upgrade the submitted fixture sample to the latest LED technology. Installation is designed to be simple and efficient using existing hardware. No drilling is required.

### Performance Data

Model	Watts	Delivered Lumens	Efficacy
D2269-01	55W	7,425 (est)	135 LPW (est)



# LUMECON OEM & RETROFIT CATALOG

## D2274-01 LED RETROFIT KIT



### Ordering Info

D2274-01-45-1-40-T5

### Description

The D2274-01 retrofit kit is designed to upgrade the submitted fixture sample to the latest LED technology. Installation is designed to be simple and efficient using existing hardware. No drilling is required.

### Performance Data

Model	Watts	Delivered Lumens	Efficacy
D2274-01	45W	6,075 (est)	135 LPW (est)

## D2275-01 LED RETROFIT KIT



### Ordering Info

D2275-90-T5-40-1  
L-RETRO-T-90-T5-40-1

### Description

The D2275-01 retrofit kit is designed to upgrade the submitted fixture sample to the latest LED technology. Installation is designed to be simple and efficient using existing hardware. No drilling is required.

### Performance Data

Model	Watts	Delivered Lumens	Efficacy
D2275-01	90W	12,150 (est)	135 LPW (est)

## D2277-01 LED RETROFIT KIT



### Ordering Info

D2277-01-30-1-40-T5

### Description

The D2277-01 retrofit kit is designed to upgrade the submitted fixture sample to the latest LED technology. Installation is designed to be simple and efficient using existing hardware. No drilling is required.

### Performance Data

Model	Watts	Delivered Lumens	Efficacy
D2277-01	30W	4,050 (est)	135 LPW (est)



# LUMECON OEM & RETROFIT CATALOG

## D2279-01 LED RETROFIT KIT



### Ordering Info

D2279-01-40-1-40

### Description

The D2279-01 retrofit kit is designed to upgrade the submitted fixture sample to the latest LED technology. Installation is designed to be simple and efficient using existing hardware. No drilling is required.

### Performance Data

Model	Watts	Delivered Lumens	Efficacy
D2279-01	40W	5,400 (est)	135 LPW (est)

## D2280-01 LED RETROFIT KIT



### Ordering Info

D2280-01-10-1-40

### Description

The D2280-01 retrofit kit is designed to upgrade the submitted fixture sample to the latest LED technology. Installation is designed to be simple and efficient using existing hardware. No drilling is required.

### Performance Data

Model	Watts	Delivered Lumens	Efficacy
D2280-01	10W	1,350 (est)	135 LPW (est)

## D2282-01 LED RETROFIT KIT



### Ordering Info

D2282-01-125-1-40-T4

### Description

The D2282-01 retrofit kit is designed to upgrade the submitted fixture sample to the latest LED technology. Installation is designed to be simple and efficient using existing hardware. No drilling is required.

### Performance Data

Model	Watts	Delivered Lumens	Efficacy
D2282-01	125W	16,875 (est)	135 LPW (est)



# LUMECON OEM & RETROFIT CATALOG

## D2287-01 LED RETROFIT KIT



**Ordering Info**  
D2287-01-65-1-22-T3

### Description

The D2287-01 retrofit kit is designed to upgrade the submitted fixture sample to the latest LED technology. Installation is designed to be simple and efficient using existing hardware. No drilling is required.

### Performance Data

Model	Watts	Delivered Lumens	Efficacy
D2287-01	65W	8,775 (est)	135 LPW (est)

## D2290-01 LED RETROFIT KIT



**Ordering Info**  
D2290-01-25-1-50-T5

### Description

The D2290-01 retrofit kit is designed to upgrade the submitted fixture sample to the latest LED technology. Installation is designed to be simple and efficient using existing hardware. No drilling is required.

### Performance Data

Model	Watts	Delivered Lumens	Efficacy
D2290-01	25W	3,385 (est)	125 LPW (est)

## D2292-01 LED RETROFIT KIT



**Ordering Info**  
D2292-01-80-1-30-T3

### Description

The D2292-01 retrofit kit is designed to upgrade the submitted fixture sample to the latest LED technology. Installation is designed to be simple and efficient using existing hardware. No drilling is required.

### Performance Data

Model	Watts	Delivered Lumens	Efficacy
D2292-01	80W	10,800 (est)	135 LPW (est)

## D2293-01 LED RETROFIT KIT



### Ordering Info

L-RETRO-T-80-T5-40-1-D2293-01

### Description

The D2293-01 retrofit kit is designed to upgrade the submitted fixture sample to the latest LED technology. Installation is designed to be simple and efficient using existing hardware. No drilling is required.

### Performance Data

Model	Watts	Delivered Lumens	Efficacy
D2293-01	80W	10,800 (est)	135 LPW (est)

## D2295-01 LED RETROFIT KIT



### Ordering Info

D2295-01-80-1-40-T5

### Description

The D2295-01 retrofit kit is designed to upgrade the submitted fixture sample to the latest LED technology. Installation is designed to be simple and efficient using existing hardware. No drilling is required.

### Performance Data

Model	Watts	Delivered Lumens	Efficacy
D2295-01	80W	10,800 (est)	135 LPW (est)

## D2296-01 LED RETROFIT KIT



### Ordering Info

D2296-01-20-1-30-T5

### Description

The D2296-01 retrofit kit is designed to upgrade the submitted fixture sample to the latest LED technology. Installation is designed to be simple and efficient using existing hardware. No drilling is required.

### Performance Data

Model	Watts	Delivered Lumens	Efficacy
D2296-01	20W	2,700 (est)	135 LPW (est)



# LUMECON OEM & RETROFIT CATALOG

## D2298-01 LED RETROFIT KIT



**Ordering Info**  
L-RETRO-T-90-T3-40-1-D2298-01

### Description

The D2298-01 retrofit kit is designed to upgrade the submitted fixture sample to the latest LED technology. Installation is designed to be simple and efficient using existing hardware. No drilling is required.

### Performance Data

Model	Watts	Delivered Lumens	Efficacy
D2298-01	90W	12,147 (est)	134 LPW (est)

## D2300-01 LED RETROFIT KIT



**Ordering Info**  
D2300-01-35-1-40-T3 \*additional optic distributions available upon request

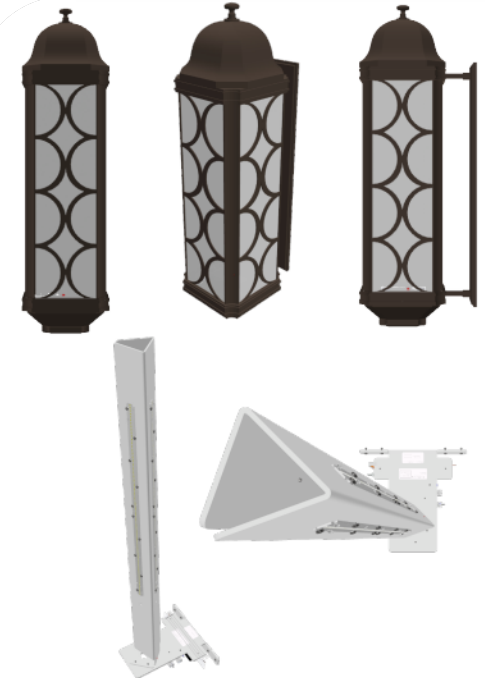
### Description

The D2300-01 retrofit kit is designed to upgrade the submitted fixture sample to the latest LED technology. Installation is designed to be simple and efficient using existing hardware. No drilling is required.

### Performance Data

Model	Watts	Delivered Lumens	Efficacy
D2300-01	35W	4,725 (est)	135 LPW (est)

## D2303-01 LED RETROFIT KIT



**Ordering Info**  
D2303-01-55-1-40-T5

### Description

The D2303-01 retrofit kit is designed to upgrade the submitted fixture sample to the latest LED technology. Installation is designed to be simple and efficient using existing hardware. No drilling is required.

### Performance Data

Model	Watts	Delivered Lumens	Efficacy
D2303-01	55W	7,425 (est)	135 LPW (est)



# LUMECON OEM & RETROFIT CATALOG

## D2305-01 LED RETROFIT KIT



**Ordering Info**  
D2305-01-39-1-30-T5

### Description

The D2305-01 retrofit kit is designed to upgrade the submitted fixture sample to the latest LED technology. Installation is designed to be simple and efficient using existing hardware. No drilling is required.

### Performance Data

Model	Watts	Delivered Lumens	Efficacy
D2305-01	39W	5,265 (est)	135 LPW (est)

## D2306-01 LED RETROFIT KIT



**Ordering Info**  
L-RETRO-T-90-T3-40-1-D2306-01-110

### Description

The D2306-01 retrofit kit is designed to upgrade the submitted fixture sample to the latest LED technology. Installation is designed to be simple and efficient using existing hardware. No drilling is required.

### Performance Data

Model	Watts	Delivered Lumens	Efficacy
D2306-01	110W	12,147 (est)	115 LPW (est)

## D2307-01 LED RETROFIT KIT



**Ordering Info**  
D2307-01-90-1-40

### Description

The D2307-01 retrofit kit is designed to upgrade the submitted fixture sample to the latest LED technology. Installation is designed to be simple and efficient using existing hardware. No drilling is required.

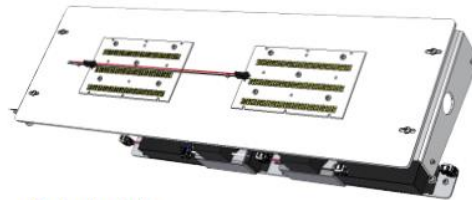
### Performance Data

Model	Watts	Delivered Lumens	Efficacy
D2307-01	90W	12,150 (est)	135 LPW (est)



# LUMECON OEM & RETROFIT CATALOG

## D2308-01 LED RETROFIT KIT



**Ordering Info**  
D2308-01-130-1-40

### Description

The D2308-01 retrofit kit is designed to upgrade the submitted fixture sample to the latest LED technology. Installation is designed to be simple and efficient using existing hardware. No drilling is required.

### Performance Data

Model	Watts	Delivered Lumens	Efficacy
D2308-01	130W	17,550 (est)	135 LPW (est)

## D2310-01 LED RETROFIT KIT



**Ordering Info**  
L-RETRO-T-45-T5-50-1-D2310-01

### Description

The D2310-01 retrofit kit is designed to upgrade the submitted fixture sample to the latest LED technology. Installation is designed to be simple and efficient using existing hardware. No drilling is required.

### Performance Data

Model	Watts	Delivered Lumens	Efficacy
D2310-01	30W	4,050 (est)	135 LPW (est)

## D2313-01 LED RETROFIT KIT



**Ordering Info**  
D2310-01-80-1-30-T2  
LM-NH-33230LED-80-1-30-T2-CP-WC

### Description

The D2310-01 retrofit kit is designed to upgrade the submitted fixture sample to the latest LED technology. Installation is designed to be simple and efficient using existing hardware. No drilling is required.

### Performance Data

Model	Watts	Delivered Lumens	Efficacy
D2313-01	80W	10,311 (est)	129 LPW (est)



# LUMECON OEM & RETROFIT CATALOG

## D2315-01 LED RETROFIT KIT



**Ordering Info**  
L-RETRO-T-75-T3-40-1-D2315-01

### Description

The D2315-01 retrofit kit is designed to upgrade the submitted fixture sample to the latest LED technology. Installation is designed to be simple and efficient using existing hardware. No drilling is required.

### Performance Data

Model	Watts	Delivered Lumens	Efficacy
D2315-01	75W	10,125 (est)	135 LPW (est)

## D2317-01 LED RETROFIT KIT



**Ordering Info**  
L-RETRO-T-25-T3-30-2-D2317-01

### Description

The D2317-01 retrofit kit is designed to upgrade the submitted fixture sample to the latest LED technology. Installation is designed to be simple and efficient using existing hardware. No drilling is required.

### Performance Data

Model	Watts	Delivered Lumens	Efficacy
D2317-01	20W	2,700 (est)	135 LPW (est)

\*L-RETRO-T 25W TUNED TO 20W



## D2319-01 LED RETROFIT KIT



**Ordering Info**  
D2319-01-20-T5-50-1

### Description

The D2319-01 retrofit kit is designed to upgrade the submitted fixture sample to the latest LED technology. Installation is designed to be simple and efficient using existing hardware. No drilling is required.

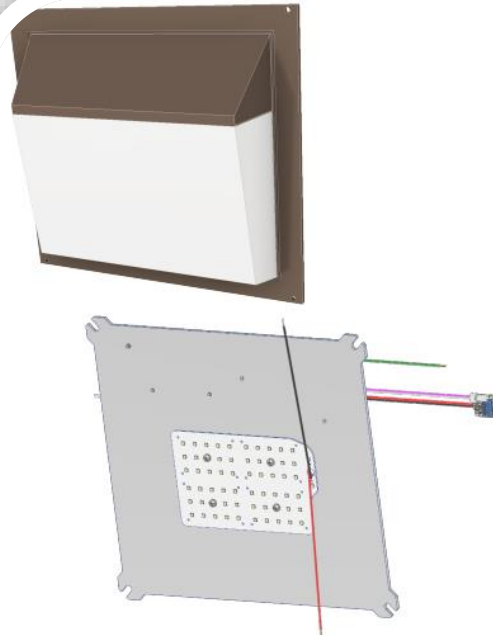
### Performance Data

Model	Watts	Delivered Lumens	Efficacy
D2319-01	20W	2,700 (est)	135 LPW (est)



# LUMECON OEM & RETROFIT CATALOG

## D2320-01 LED RETROFIT KIT



**Ordering Info**  
D2320-01-20-T5-50-1

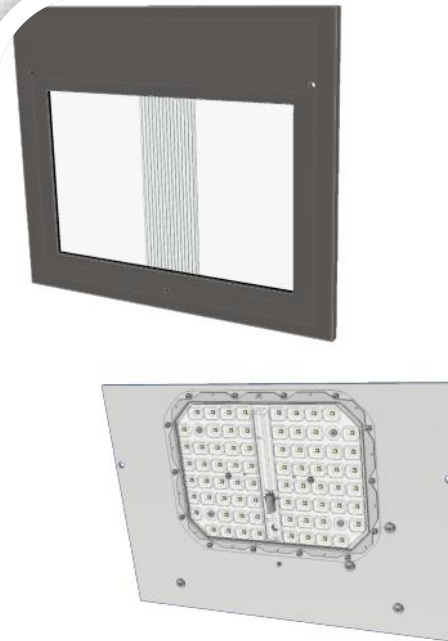
### Description

The D2320-01 retrofit kit is designed to upgrade the submitted fixture sample to the latest LED technology. Installation is designed to be simple and efficient using existing hardware. No drilling is required.

### Performance Data

Model	Watts	Delivered Lumens	Efficacy
D2320-01	20W	2,700 (est)	135 LPW (est)

## D2321-01 LED RETROFIT KIT



**Ordering Info**  
D2321-01-80-T5-50-1

### Description

The D2321-01 retrofit kit is designed to upgrade the submitted fixture sample to the latest LED technology. Installation is designed to be simple and efficient using existing hardware. No drilling is required.

### Performance Data

Model	Watts	Delivered Lumens	Efficacy
D2321-01	80W	10,800 (est)	135 LPW (est)

## D2323-01 LED RETROFIT KIT



**Ordering Info**  
D2323-01-15-1-40-T5

### Description

The D2323-01 retrofit kit is designed to upgrade the submitted fixture sample to the latest LED technology. Installation is designed to be simple and efficient using existing hardware. No drilling is required.

### Performance Data

Model	Watts	Delivered Lumens	Efficacy
D2323-01	15W	2,025 (est)	135 LPW (est)