

INTRODUCING THE LUMECON MIDTOWN AMBASSADOR DECORATIVE POST-TOP FIXTURE, WHERE ELEGANCE MEETS INNOVATION

Elevate your outdoor lighting experience with the Lumecon Midtown Ambassador Decorative Post-Top Fixture. This remarkable luminaire seamlessly combines unmatched styling with cutting-edge technical superiority, making it a true standout in the decorative post-top market. At the heart of the Ambassador's brilliance lies the groundbreaking Patented Lumecon Ring Light Engine (Patent Number: 11300282 B1). This revolutionary technology transforms the way we perceive outdoor lighting, setting new standards for both aesthetics and performance.



POWERED BY THE LUMECON RING TECHNOLOGY

The Lumecon Ring Light Engine is the driving force behind the Ambassador's exceptional illumination. Featuring LEDs strategically positioned within the ring at an optimal 20-degree "theater angle," this ingenious design maximizes thermal dissipation. As a result, the LEDs efficiently dissipate heat to the exterior of the globe, ensuring consistent, reliable performance over the long term.

PRISMATIC INJECTION MOLDED ACRYLIC GLOBE MATERIAL

The Ambassador boasts Prismatic Injection Molded Acrylics that are as beautiful as they are functional. During the day, these optical prisms create a mesmerizing "prismatic sparkle," adding a touch of elegance to any environment. When night falls, they shine as true stars, delivering unparalleled uniformity and light distribution. Efficiency is at the forefront, making the Ambassador an eco-conscious choice for all your lighting needs.

20-YEAR GLOBE WARRANTY

We believe in the Ambassador's enduring quality so strongly that we back it with an exceptional 20-year warranty for the globe. Our commitment to excellence extends to resistance against yellowing, ensuring that the fixture maintains its pristine appearance. With a yellowness index of less than 7, you can trust that your Ambassador will continue to shine brilliantly for years to come.

KEY FEATURES

- **Unrivaled Styling:** Elevate your outdoor spaces with a luminaire that combines form and function seamlessly.
- **Patented Ring Light Engine:** Innovative technology designed for optimal thermal dissipation and luminous flow.
- **Prismatic Acrylics:** Add a touch of sparkle during the day and achieve impeccable nighttime performance.
- **20-Year Globe Warranty:** Enjoy peace of mind knowing your investment is protected against yellowing.



NIGHT SKY OPTIONS



Color Temperature - Ambassador fixtures offer 3000K and 4000K as standard, with lower Kelvin options available. We recommend 3000K or lower for its warm, soft light that reduces glare, preserves night skies, and minimizes light pollution.

Lux Canopy Optic (Optional) - The newly designed Lumecon Lux Canopy™ Limits the amount of uplight produced. Limiting uplight is essential to minimize light pollution, preserving the beauty of our night skies, reducing energy waste, and creating a healthier environment for both humans and wildlife.

Illuminate your world with the Lumecon Midtown Ambassador Decorative Post-Top Fixture. Experience the perfect fusion of style and technical excellence. Elevate your outdoor spaces today.

Technical Specifications

LUMECON ETD™ SYSTEM

- Ensure the light engines are thermally bonded to provide maximum thermal dissipation to the fixture's exterior to ensure long life.
- Protect the light engine panel from moisture and corrosion by uniformly coating light engine with a UV-stabilized acrylic polymer resin that meets MIL and ASTM dielectric standards, UL, and IPC standards for flammability, moisture resistance, and thermal shock.

SURGE PROTECTION

- Thermally protected 20kA/ 40kV varistor type surge suppressor is included and meets ANSI C136.2- 2015: Extreme Level.
- Also meet IEC61643-11 Class II / EN61643-11 Type 2 and US Dept of Energy MSSLC Model Spec for surge protection.
- Wired in series with the luminaire input power to interrupt power to the luminaire when consumed, protecting the LED power supply and circuit boards from additional electrical surges.

USA MADE

- Buy American Act: The product is assembled in the USA and meets the Buy America(n) government procurement requirements under FAR, DFARS, and DOT regulations.

LED LIFETIME

- Rated for a minimum of 100,000 hours of continuous operation at ambient temperatures from -40°F/-40°C to 115°F/46°C

COLOR RENDERING INDEX

- Minimum of 80 or higher

EFFECTIVE PROJECTED AREA (EPA) AND WEIGHT

- 1.4ft² and 15.75lbs

CONTROLS AND DIMMING

- 0-10V standard dimming capability
- Long life photocontrol, Optional
- 7 pin receptacles internally in housing (7P) (7P - not for use with photocontrols & nodes must have photocontrol disabled)(Optional)
- Bluetooth, Radio Wave and Cellular Controls available. (Optional)

FITTER

- Slip fit over 2 7/8" and 3" OD tenons on most decorative poles
- Require nominal 3" diameter x 2 7/8" tall tenon
- Use Heavy Grade A356 aluminum comprises 92.05% Aluminum, 7% Silicon, 0.35% Magnesium, 0.20% Iron, 0.20% Copper, 0.10% Manganese, and 0.10% Zinc
- Lightweight and highly corrosion-resistant
- Heat treated to improve strength—low impurities cause high strength and ductility

FINISH

- Available in either textured or 60% gloss polyester powder coat finishes for maximum durability.
- Have the base aluminum material prepared using an environmentally friendly non-chrome 2-step surface cleaning and passivation process.
- Result in a more durable conversion layer than traditional chromate conversion coatings and allows maximum powder coating adhesion to the aluminum fitter.

CERTIFICATION

- CSA 22.2 No. 250 for Wet Locations
- Full compliance and test documentation is available for TM-21, LM-79, LM-80, CSA Listing to UL1598 and UL 8750
- Design Lights Consortium (DLC) Qualification. Unless noted, not all versions of this product may be DLC® qualified. For a complete list of Lumecon DLC® Qualified Products visit: www.designlights.org

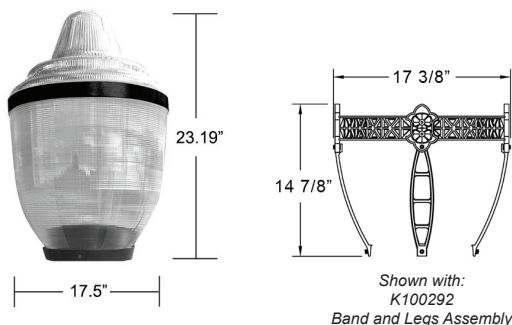
WARRANTY

- A 10 Year L70 performance-based warranty. For full warranty terms, please visit our website: www.lumecon.com

PERFORMANCE DATA

DISTRIBUTION	WATTAGE	3000K		4000K	
		LUMENS	EFFICACY	LUMENS	EFFICACY
Type III	30	3,887	127	4,140	136
Type III	45	5,803	121	6,148	129
Type III	75	8,952	115	9,495	122
Type III	90	10,426	111	11,065	119
Type V	26	3,499	136	3,647	142
Type V	42	5,928	131	6,170	136
Type V	68	9,226	128	9,636	133
Type V	95	12,279	122	12,763	126

DIMENSIONS



ORDERING INFORMATION

Lumecon Midtown Post-Top Series
Example Part Number: LM-AMB-FL-2-1-30-B-8-C

REQUIRED

MODEL	DECORATIVE RING	WATTAGE	VOLTAGE	CCT	TRIM COLOR	GLOBE NECK	GLOBE TOP COLOR
LM-AMB	FL - Contemporary Finless	1 - 30W / Type III	1 - 120-277V	30 - 3000K	B - Black	8 - 8" Neck	C - Clear
	F - Classic Finned	2 - 45W / Type III	2 - 347-480V	40 - 4000K	CC - Custom Color	9 - 9" Neck ¹	B - Black*
		3 - 75W / Type III					CC - Custom Color**
		4 - 90W / Type III					
		5 - 26W / Type V					
		6 - 42W / Type V					
		7 - 68W / Type V					
		8 - 95W / Type V					

¹Includes Lux Canopy

** RAL number required

OPTIONAL

FITTER ²	BAND & LEGS	FINIAL	PHOTOCELL ²	CONTROLS READY	SHIELD	LUX CANOPY
X - None	K100292	FN1 ⁴	PC - Button Eye Style	7P - 7 Pin Receptacle	H - House Shield	C - Cutoff ³
BH0 ³	CAGES² For additional options, download Cages Guide here	FN2	TL - Twist Lock for use with B12 Fitter Only	SH - Shorting Cap		³ Included on custom color top globe color orders
BH1		FN3 ⁴				
BH2		FN4				
BH8						
BH13 ³						
BHU ³						

Notes:

1. Use BH0 for 9" neck Globes
2. Cage and Fitter welded together requiring both to be selected
3. BH0, BH13, and BHU not compatible with Cages
4. FN1 and FN3 are Acrylic and only available in black

Fitters

Band and Legs Sample



For additional Information, download [Fitter Guide here](#)

For additional Information, download [Utility Fitter here](#)

Finials

Lux Canopy



Lux Canopy - Cutoff
A thin, MIRROR reflective-solid lid is strong, ultra-lightweight helping reduce stray upward lumens

OPTIONAL BASE AND POLE ORDERING INFORMATION

DECORATIVE BASE OPTIONS	POLE OPTIONS	MOUNTING HEIGHTS			FINISH
H-Arlen-17	Round Straight Aluminum	08 - 8'	14 - 14'	20 - 20'	01 - Satin Aluminum (RTA and RSA)
H-York-17	Round Tapered Aluminum	10 - 10'	16 - 16'	25 - 25'	02 - Satin Aluminum (SSA)
H-Homewood	Round Fluted Aluminum	12 - 12'	18 - 18'	30 - 30'	BA - Black Powder Coat
H-Morgan					BH - White Powder Coat
					BM - Dark Bronze Powder Coat
					BV - Dark Green Powder Coat
					GC - Gray Powder Coat
					.. - Specify Finish

For additional options, download [Decorative Base Catalog here](#)


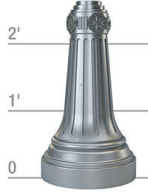


For additional options, download [Pole Guide here](#)



NEED MORE CHOICES?
For additional Globe options, download [Globe Catalog here](#)

Decorative Bases Ordering Information

Over 58 Base options available. The most popular listed below. To view all options, download [Base Guide here](#)

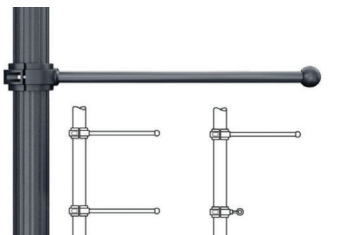
4' 3' 2' 1' 0'	4' 3' 2' 1' 0'	4' 3' 2' 1' 0'	4' 3' 2' 1' 0'
			
H-Arlen 17 Base Diameter: 17" 4" - 5" - 6" Butt Diameter	H-York 17 Base Diameter: 17" 4" - 5" - 6" Butt Diameter	H-Homewood Base Diameter: 11.125" 4" Butt Diameter	H-Morgan Base Diameter: 13.5" 4" Butt Diameter

For detailed design, quote, and specific cut sheet information, contact Lumecon at Sales@Lumecon.com

Accessories Ordering Information

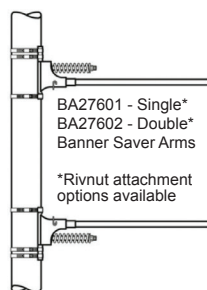
For additional information on Accessories and Options, download [Pole Guide here](#)

Cast Banner Arms



<p>BA27301 - Single BA27302 - Double Cast Band Mount Banner Arms</p>	<p>BA27401 - Single BA27402 - Double Cast Band Mount Banner Arms Standard Top, Eye Hook Bottom</p>
--	--

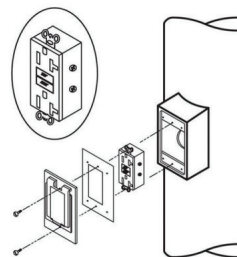
Banner Saver Arms



BA27601 - Single*
BA27602 - Double*
Banner Saver Arms

*Rivnut attachment options available

GFI Receptacle Outlet Box



Additional Accessories

- Flower Pot Holders
- FHWA Accepted Break Away Systems
- Additional Hand Holes
- Camera Mounts
- Decorative Arms
- Slip Fitter Tenons
- Vibratoin Dampeners
- Sign Brackets