

PROJECT NAME: \_\_\_\_\_

CATALOG #: \_\_\_\_\_

NOTES: \_\_\_\_\_

DATE: \_\_\_\_\_

## BLS-CAN LED CANOPY

BLS-CAN, is a cost-effective, energy-saving LED light fixture for surface mount applications in commercial buildings, retail, and educational facilities. The precision-designed optical lens reduces glare, improves optical performance and provides comfortable lighting effects. The BLS-CAN is equipped with an external quick-mounting plate suitable for standard J-BOX mount and also compatible with 3/4" pendant mount, with 1/2" knock-out holes reserved on three sides, suitable for surface conduit wiring installation.

### SPECIFICATIONS FEATURES

**Color Temperature Tuning:** Capable of delivering 3000K, 4000K & 5000K color temperatures

**Construction:** One-piece die-cast aluminum housing allows a thermally conductive connection to the LED panel and electrical chamber with corrosion-resistant powder coating.

**Lens:** Vandal/ Impact Resistant Polycarbonate, Anti-UV prismatic translucent lens is designed to shape the light distribution and uniformity.

**CRI:** 70

**Voltage:** Universal 120-277 VAC input voltage

**Dimming:** 0-10V Dimmable

**Controls:** Optional PIR Sensor and Emergency Battery available.

**Lifespan:** Estimated 50,000 Hour based on IES LM-80 results and TM-21 calculations.

**Operating Temperature:** -40°C to 40°C (-40°F - + 104°F). Note: Operating with emergency battery temperature range: 10°C to 40°C (+50°F - + 104°F)

**Power Factor:** > 0.90, THD <20%

**Listings:** cULus, IP66, Suitable for Wet location, RoHS compliant, Meets LM-79 LM-80 Standards. DesignLights Consortium® (DLC) Qualified Product: Unless noted, not all versions of this product may be DLC® qualified. For a complete list of Lumecon DLC® Qualified Products visit: [www.designlights.org](http://www.designlights.org).

**Warranty:** 5 year warranty

*NOTE- Actual performance may differ as a result of end-user environment and application. All values are design or typical values, measured under laboratory conditions at 25°C(±5°C ) specifications subject to change without notice.*

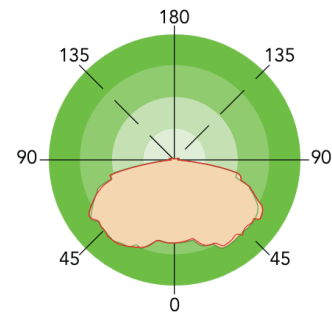


60W



110W

### PHOTOMETRICS

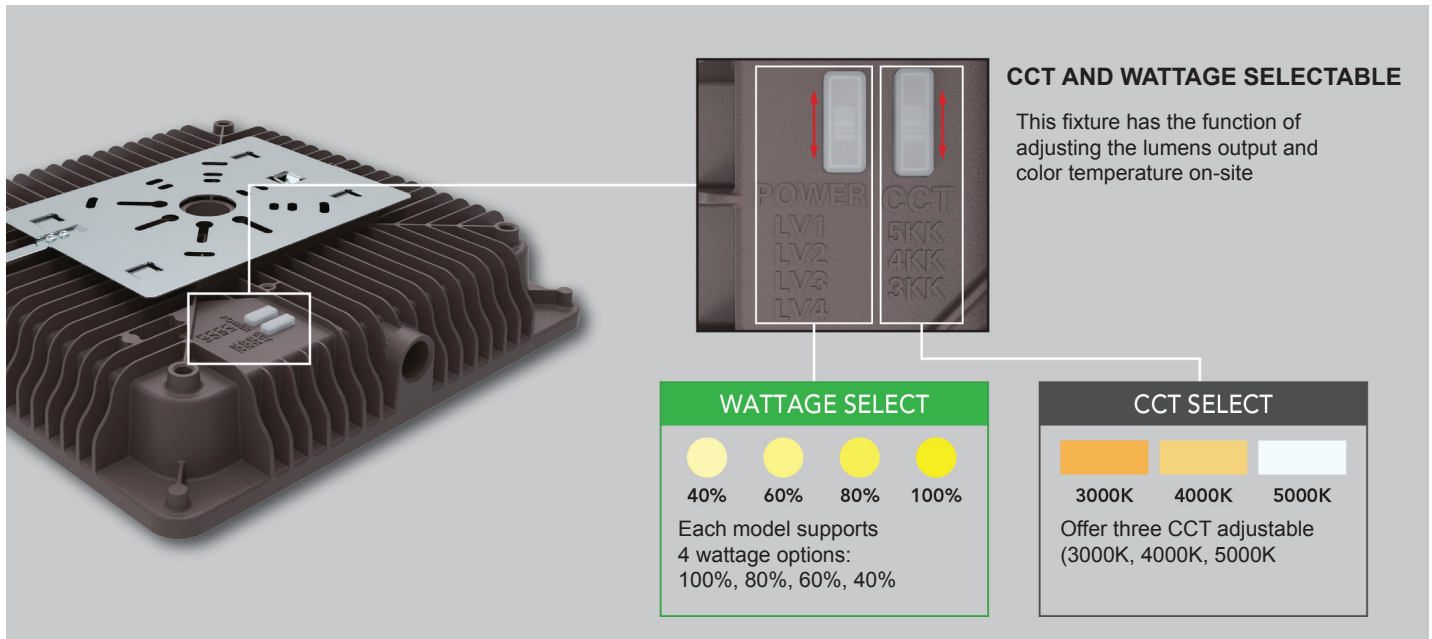


### ORDERING GUIDE

SAMPLE: BLS-CAN-60-1-ADJ-D-M-BB-PC

MODEL	WATTAGE	VOLTAGE	CCT	FINISH	SENSOR	EMERGENCY BATTERY	PHOTOCELL
BLS-CAN	60 - 60W, 48W, 36W, 25W  110 - 110W, 85W, 63W, 41W	1 120-277V	ADJ <sup>1</sup> Adjust-able Color Temperature	D Dark Bronze  CC Custom Color	M Motion Sensor  P PIR External Sensor  BLANK Without Motion Sensor	BB Battery Back-Up  BLANK Without Battery Backup	PC 120-277V  BLANK Without Photocell

Note 1. CCT and power adjustable.



**CCT AND WATTAGE SELECTABLE**

This fixture has the function of adjusting the lumens output and color temperature on-site

**POWER**  
LV1  
LV2  
LV3  
LV4

**CCT**  
5KK  
4KK  
3KK

**WATTAGE SELECT**

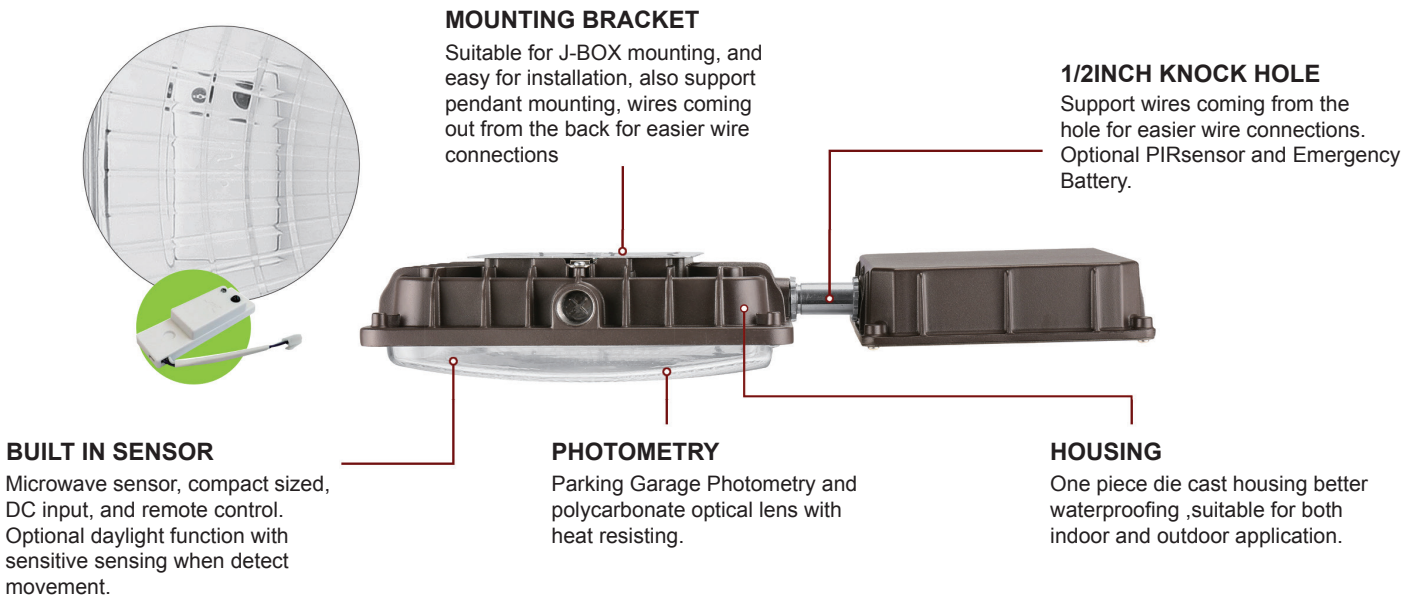
40% 60% 80% 100%

Each model supports 4 wattage options: 100%, 80%, 60%, 40%

**CCT SELECT**

3000K 4000K 5000K

Offer three CCT adjustable (3000K, 4000K, 5000K)



**MOUNTING BRACKET**  
Suitable for J-BOX mounting, and easy for installation, also support pendant mounting, wires coming out from the back for easier wire connections

**1/2INCH KNOCK HOLE**  
Support wires coming from the hole for easier wire connections. Optional PIRsensor and Emergency Battery.

**BUILT IN SENSOR**  
Microwave sensor, compact sized, DC input, and remote control. Optional daylight function with sensitive sensing when detect movement.

**PHOTOMETRY**  
Parking Garage Photometry and polycarbonate optical lens with heat resisting.

**HOUSING**  
One piece die cast housing better waterproofing, suitable for both indoor and outdoor application.

## PERFORMANCE DATA




BLS-CAN-60W							
SETTING	SETTING WATTS	3000K		4000K		5000K	
		LUMENS	LPW	LUMENS	LPW	LUMENS	LPW
100%	60W	7800lm	130 lm/W	8400lm	140 lm/W	8000lm	133 lm/W
80%	47W	6500lm	138 lm/W	7000lm	149 lm/W	6600lm	140 lm/W
60%	36W	5200lm	144 lm/W	5600lm	156 lm/W	5300lm	147 lm/W
40%	24W	3700lm	154 lm/W	4000lm	167 lm/W	3800lm	158 lm/W

BLS-CAN-110W							
SETTING	SETTING WATTS	3000K		4000K		5000K	
		LUMENS	LPW	LUMENS	LPW	LUMENS	LPW
100%	110W	15500lm	141 lm/W	16500lm	150 lm/W	16000lm	145 lm/W
80%	85W	12800lm	151 lm/W	13600lm	160 lm/W	13000lm	153 lm/W
60%	63W	9800lm	156 lm/W	10500lm	167 lm/W	10000lm	159 lm/W
40%	41W	6800lm	166 lm/W	7200lm	176 lm/W	7000lm	171 lm/W

## ELECTRICAL DATA

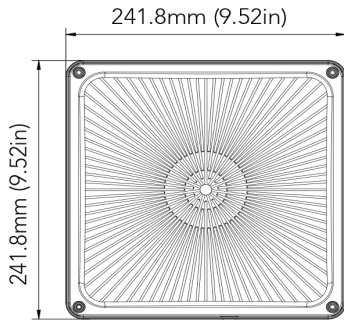
NUMBER OF DRIVERS	DRIVER CURRENT (mA)	NOMINAL POWER (W)	INPUT VOLTAGE (V)	CURRENT (Amps)
1	900	60	120	0.50
		60	208	0.29
		60	240	0.25
		60	277	0.22
		60	347	0.17
1	850	110	120	0.92
		110	208	0.53
		110	240	0.46
		110	277	0.40
		110	347	0.32

## OPTIONS / ACCESSORIES

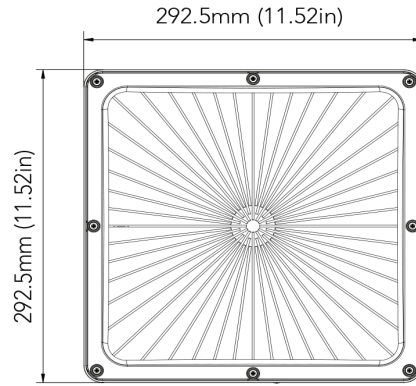
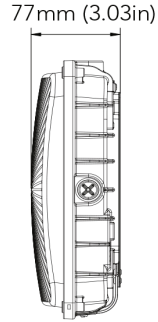
		
<b>Emergency Battery Backup</b> Description: 5W 800lm 90min	<b>PIR Sensor, 120-277V</b> Description: External sensor can be pre-installed in factory or field installed	<b>Microwave Sensor, 12V</b> Description: Sensor can be built-in fixture.

## DIMENSIONS

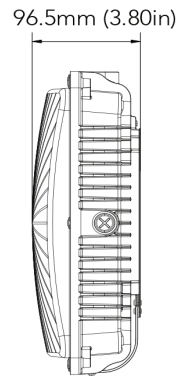
unit: mm/inch



60W



110W



## MOUNTING



Surface Mounted With J-Box

Conduit Pendant Mount