

PROJECT NAME: _____

CATALOG #: _____

NOTES: _____

DATE: _____

BLS-MID LED POST-TOP

The BLS-MID is designed to enhance nighttime pedestrian lighting while serving as an eye-catching design element in the landscape during the day. Unlike traditional Post-Top fixtures, the BLS-MID prioritizes budget efficiency without compromising on functionality. It features adjustable color temperatures of 3000K, 4000K, and 5000K, as well as four levels of adjustable lumens. Optional integrated photocell control and a PIR sensor enhance its versatility. Additionally, the BLS-MID utilizes advanced electronic control technology, allowing users to easily adjust the light distributions (Type III, Type IV, Type V) with a simple dial.



SPECIFICATIONS

CONSTRUCTION

- The rugged die-cast aluminum housing securely protects the thermally conductive LED Boards and electrical components.
- Housing is completely sealed against environment contaminants and ensures waterproof.
- Features a sleek, streamlined design that enhances both aesthetics and functionality by preventing objects and bird nests from affecting heat dissipation.
- Incorporates cutting-edge Thermal and electric separation to enhance heat dissipation and boost product performance.
- EPA: 0.34 Sq. Ft.
- Install on poles which top diameter is 2-3/8" to 3".

OPTICS

- Light engines are available in color selectable version, the CCT can be changed to three CCTs (3000K, 4000K, 5000K) and CRI ≥80.
- Seamlessly switch between Type III, Type V, and Type IV light distributions with field-adjustable settings.
- The optics can conform to dark sky requirement.

ELECTRICAL

- Universal 120-347VAC or 277-480 VAC input voltage.
- Wattage selectable: 130W/104W/78W/52W
- 0-10V dimmable driver, down to 10%.
- PF >0.9, THD <20%.
- Built in standard surge suppression with 6KV.

CONTROLS

- Dusk-to-dawn light control, easily switch on and off integrated Photocell for optimal management.
- PIR Sensor or Bluetooth Smart Control Sensor available for further energy saving.

AMBIENT TEMPERATURE

- Operating Temperature Range: -40°C to 40°C (-40°F - + 104°F).

LIFESPAN

- Estimated 100,000-hour LED lifespan based on IES LM-80 results and TM-21 calculations.

WARRANTY

- Five-year limited warranty

CERTIFICATIONS

- UL cUL wet location listed.

NOTE: Actual performance may differ as a result of end-user environment and application. All values are design or typical values, measured under laboratory conditions at 25°(±5°) specifications subject to change without notice.

ORDERING GUIDE

IN-STOCK: 130W, 120-277V, DARK BRONZE, POLE MOUNT, FROSTED DIFFUSER AND AVAILABLE OPTIONS OF M, PC, CC



MODEL	WATTAGE	VOLTAGE	CCT	FINISH	PHOTOCELL	SENSOR	CCT AND POWER ADJUSTABLE	MOUNTING	PHOTOMETRY
BLS-MID	130W ¹ 130	34V 120-347V 48V 277-480V	DDK Adjustable Color Temperature	D ¹ Dark Bronze CC Custom Color	P With Photocell BLANK Without Photocell	M with Sensor BLANK Without Sensor	AD With Adjustment Dial	Blank ¹ Pole Mount	FD ¹ Frosted Diffuser PD Prismatic Diffuser AT T3/T4/T5 Adjustable

Notes:

1. In-Stock: 130W, 120-277V, Dark Bronze, Pole Mount, Frosted Diffuser, and available options of M, PC, CC. All other options are Special Order

STRUCTURAL DESIGN

This BLS-MID offers on-site adjustments for Lumen output, Color Temperature, and light distribution. It supports four levels of lumen output, three CCTs settings, and three light distribution options for maximum versatility.

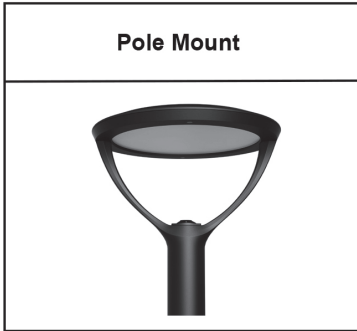


PHOTOCELL

Accurately differentiates between luminaire light and natural sunlight using micro far-infrared sensors, creating more adaptable and efficient lighting conditions.



MOUNTING



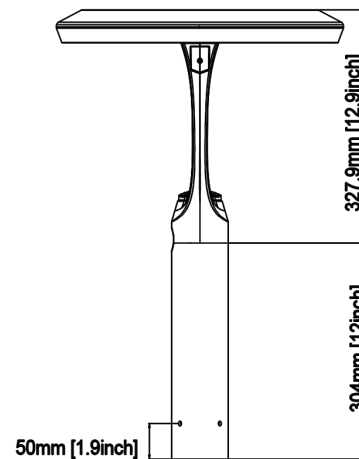
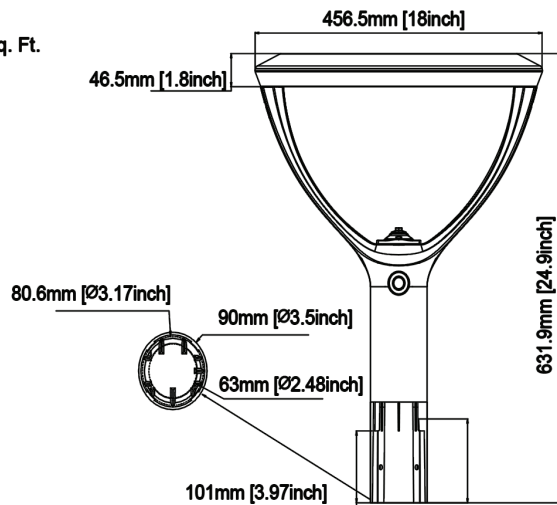
ACCESSORIES (Optional)

<p>Plug-and-Play PIR Sensor PIR sensor: MHANT12VPH02</p>	<p>Plug-and-Play Microwave Sensor Microwave Sensor: MHANT12VMH02</p>	<p>External Glare Shield</p>

DIMENSIONS

Pole Mount

EPA: 0.34 Sq. Ft.



PERFORMANCE DATA

BLS-MID-130								
Distribution	SETTING	SYSTEM WATTS	3000K		4000K		5000K	
			LUMENS	LPW	LUMENS	LPW	LUMENS	LPW
Type III and Type V	LV1	130W	18000lm	138lm/W	19500lm	150lm/W	18500lm	142lm/W
	LV2	104W	15200lm	146lm/W	16000lm	154lm/W	15500lm	149lm/W
	LV3	78W	12000lm	154lm/W	13000lm	167lm/W	12500lm	160lm/W
	LV4	52W	8500lm	163lm/W	9000lm	173lm/W	8750lm	168lm/W

BLS-MID-130								
Distribution	SETTING	SYSTEM WATTS	3000K		4000K		5000K	
			LUMENS	LPW	LUMENS	LPW	LUMENS	LPW
Type IV	LV1	130W	18500lm	142lm/W	20000lm	154lm/W	19500lm	150lm/W
	LV2	104W	15500lm	149lm/W	16500lm	159lm/W	16000lm	154lm/W
	LV3	78W	12500lm	160lm/W	13500lm	173lm/W	13000lm	167lm/W
	LV4	52W	8700lm	167lm/W	9500lm	183lm/W	9100lm	175lm/W

BLS-MID-130								
Distribution	SETTING	SYSTEM WATTS	3000K		4000K		5000K	
			LUMENS	LPW	LUMENS	LPW	LUMENS	LPW
General	LV1	130W	15500lm	119lm/W	16500lm	127lm/W	16000lm	123lm/W
	LV2	104W	12800lm	123lm/W	13500lm	130lm/W	13200lm	127lm/W
	LV3	78W	10500lm	135lm/W	11000lm	141lm/W	10800lm	138lm/W
	LV4	52W	7200lm	138lm/W	7600lm	146lm/W	7400lm	142lm/W

ELECTRICAL DATA

Number Of Drivers	Driver Current (mA)	Nominal Power (W)	INPUT VOLTAGE (V)	CURRENT (Amps)
1	600	130	120	1.08
		130	208	0.63
		130	240	0.54
		130	277	0.47
		130	347	0.37
		130	480	0.27

ADDITIONAL MOUNTING ACCESSORIES

POLE BRACKET • For mounting one fixture on an existing pole			
	<p>4" Square Pole Mount with 2-3/8" O.D. Tenon No. 4SQ-SP-D Finish: Dark Bronze USE: For use with square, non-tapered steel and aluminum poles. Furnished with four 5/16" hex head stainless-steel bolts. Vertical tenon measures 2-3/8" O.D., and is made of steel tubing. Fixtures mounted to this bracket can be adjusted both vertically and horizontally.</p>		<p>4" Round Pole Mount with 2-3/8" O.D. Tenon NO. 4SQR-SP-D Finish: Dark Bronze USE: For use with Round, non-tapered steel and aluminum poles. Furnished with three 3/8" hex head stainless-steel bolts. Vertical tenon measures 2-3/8" O.D., and is made of steel tubing. Fixtures mounted to this bracket can be adjusted both vertically and horizontally.</p>
	<p>5" Square Pole Mount with 2-3/8" O.D. Tenon No. 5SQ-SP-D Finish: Dark Bronze USE: For use with square, non-tapered steel and aluminum poles. Furnished with four 5/16" hex head stainless-steel bolts. Vertical tenon measures 2-3/8" O.D., and is made of steel tubing. Fixtures mounted to this bracket can be adjusted both vertically and horizontally.</p>		<p>5" Round Pole Mount with 2-3/8" O.D. Tenon NO. 5SQR-SP-D Finish: Dark Bronze USE: For use with Round, non-tapered steel and aluminum poles. Furnished with three 3/8" hex head stainless-steel bolts. Vertical tenon measures 2-3/8" O.D., and is made of steel tubing. Fixtures mounted to this bracket can be adjusted both vertically and horizontally.</p>