

PROJECT NAME: \_\_\_\_\_

CATALOG #: \_\_\_\_\_

NOTES: \_\_\_\_\_

DATE: \_\_\_\_\_

## BLS-PG LED PARKING GARAGE

BLS-PG is a commercial grade LED canopy luminaire that utilizes high powered LEDs with precise efficient optical control and on board wattage and lumen choices. It provides excellent uniformity, energy efficiency and control for surface mount applications. The versatile and functional features: energy-efficient LED system, rugged design, pendant or junction box mounting options, multiple lumen packages and optical distributions.



60W



80W

### SPECIFICATIONS FEATURES

**Color Temperature Tuning:** Capable of delivering 4000K & 5000K color temperatures

**Construction:** Sealed die-casting profile for indoor and outdoor applications. With corrosion-resistant powder coating that provides protection and architectural appearance while adapting well to the environment in the garage.

**Lens:** Vandal/ Impact Resistant Polycarbonate, Anti-UV prismatic translucent lens is designed to shape the light distribution and uniformity.

**Voltage:** Universal 120-277 input voltage

**CRI:** 70

**Dimming:** 0-10V dimming for 10% to 100%

**Controls:** Optional Motion Sensor and Emergency Battery available.

**Lifespan:** Estimated 50,000 Hour based on IES LM-80 results and TM-21 calculations.

**Operating Temperature:** -40°C to 45°C (-40°F - + 113°F). Note: Operating with emergency battery temperature range: 10°C to 40°C (+50°F - + 104°F)

**Power Factor:** > 0.90, THD <20%

**Listings:** UL cUL wet location listed. DesignLights Consortium™ Qualified

**Warranty:** 5 year warranty

*NOTE- Actual performance may differ as a result of end-user environment and application. All values are design or typical values, measured under laboratory conditions at 25°C(±5°C) specifications subject to change without notice.*

#### Built-in Emergency Battery (Optional)

8W, 90min



#### Plug-and-Play Sensor (Optional)

Sensor allows for security and energy saving.

Screw Plug



Install in 3 seconds

#### Mounting Bracket


Suitable for J-BOX mounting, and easy for installation, also support pendant mounting, wires coming out from the back for easier wire connections.

#### Housing

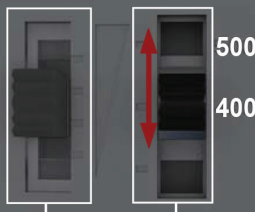
One piece die cast housing better waterproofing, suitable for both indoor and outdoor application.

#### Photometry

Optional Parking Garage Photometry or Low Bay Photometry as per applications.

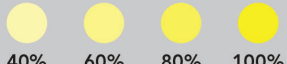


**POWER**



**CCT AND WATTAGE SELECTABLE**  
 This fixture has the function of adjusting the lumens output and color temperature on-site.


**WATTAGE SELECT**



40% 60% 80% 100%

Each model supports 4 positions wattage regulation:  
 100%, 80%, 60%, 40%

**CCT SELECT**

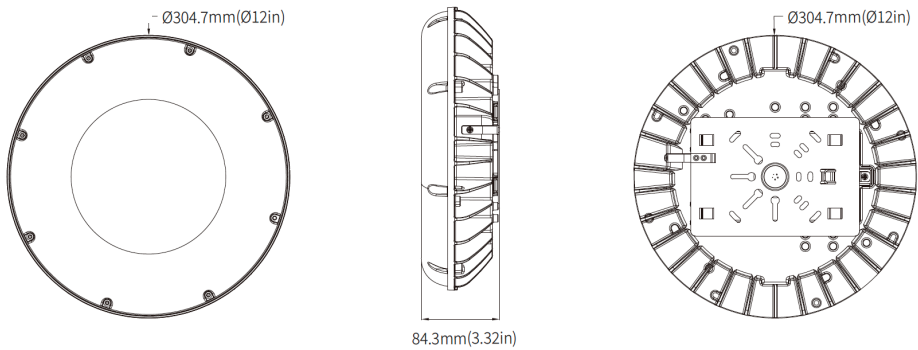


4000K 5000K

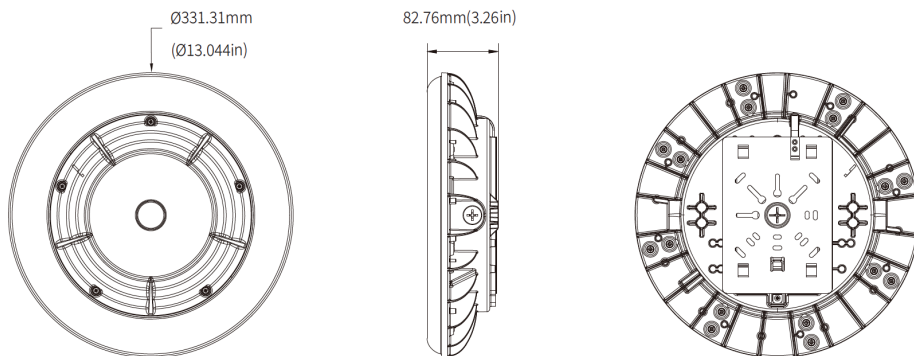
Offer three CCT adjustable (4000K, 5000K) .

### Dimensions

**Weight:**  
 60W: 5.73lbs



**Weight:**  
 80W: 6.239lbs



## ORDERING GUIDE




SAMPLE: BLS-PG-60-1-DDK-D-M-B-PG-AD

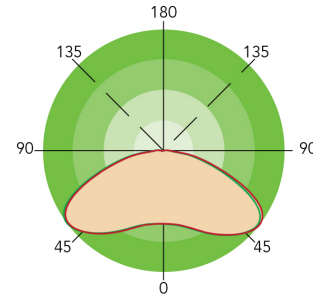


MODEL	WATTAGE	VOLTAGE	CCT	FINISH	SENSOR	EMERGENCY BATTERY	PHOTOMETRY	CCT & POWER ADJUSTABLE
BLS-PG	60 - 60W 80 - 80W	1 120-277V	DDK Adjustable Color Temperature	W White CC Custom Color	M Motion Sensor BLANK Without Motion Sensor	B Battery Back-Up BLANK Without Battery Backup	PG Parking Garage	AD Adjustable Dial BLANK Without Adjustable Dial

## Accessories

## Photometrics

		
<b>Emergency Battery Backup</b> Description: 5W 800lm 90 min	<b>PIR Sensor, 120-277V</b> Description: External sensor can be pre-installed in factory or field installed.	<b>Microwave Sensor, 12V</b> Description: Sensor can be built-in fixture.



## Mounting



Surface Mounted With J-Box



Conduit Pendant Mount

## PERFORMANCE DATA

BLS-PG-60W					
SETTING	SETTING WATTS	4000K (70CRI)		5000K (70CRI)	
		LUMENS	LPW	LUMENS	LPW
100%	60W	7700lm	128lm/W	7500lm	125lm/W
80%	46W	6500lm	141lm/W	6300lm	137lm/W
60%	34W	5000lm	147lm/W	4900lm	134lm/W
40%	22W	3600lm	164lm/W	3500lm	159lm/W

BLS-PG-80W					
SETTING	SETTING WATTS	4000K (70CRI)		5000K (70CRI)	
		LUMENS	LPW	LUMENS	LPW
100%	80W	10400lm	130lm/W	10000lm	125lm/W
80%	64W	8510lm	133lm/W	8200lm	128lm/W
60%	48W	6580lm	137lm/W	6350lm	132lm/W
40%	32W	4480lm	140lm/W	4320lm	135lm/W

## ELECTRICAL DATA

Number Of Drivers	Driver Current (mA)	Nominal Power (W)	INPUT VOLTAGE (V)	CURRENT (Amps)
1	1050	60	120	0.50
		60	208	0.29
		60	240	0.25
		60	277	0.22
1	2000	80	120	0.67
		80	208	0.38
		80	240	0.33
		80	277	0.29