

PROJECT NAME: \_\_\_\_\_

CATALOG #: \_\_\_\_\_

NOTES: \_\_\_\_\_

DATE: \_\_\_\_\_

## BLS-WSL WALL SCONCE LIGHT

The BLS-WSL series, in one SKU, amazes with its versatility. It provides 3 color temps, 4 lumen levels, 3 beam angles and 3 light modes. Its sleek design fits places like luxury villas, clubs, museums, hotels, and highrise exteriors, corridors and lobbies, bringing sophistication and an elegant, peaceful space.



### SPECIFICATIONS FEATURES

**Color Temperature Tuning:** Light engines are available with adjustable CCT, and the CCT can be changed to 3000K/4000K/5000K

**Construction:** Rugged cast-aluminum housing with bronze powder paint for outdoor applications

**Optics:** Scalable Lumen Packages from 1,140 to 5,850 Lumens. Optional for three beam angle adjustable (50°, 60°, 70°).

**Electrical:** Four adjustable Wattage levels available for each model

**CRI:** 80

**Voltage:** 120-277V

**Dimming:** 0-10V dimming and dimming range from 10%-100%

**Lifespan:** Estimated 50,000 Hour based on IES LM-80 results and TM-21 calculations.

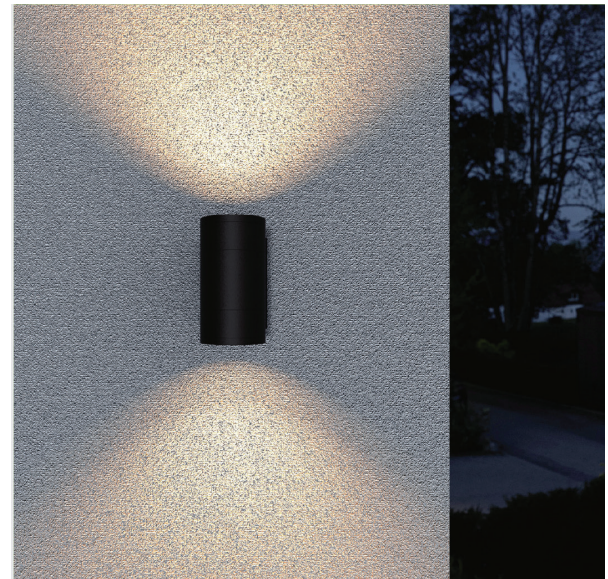
**Operating Temperature:** -40°C to 50°C (-40°F - + 122°F).

**Power Factor:** > 0.90, THD <20%

**Listings:** cULus wet location listed

**Warranty:** 5 year warranty

*NOTE- Actual performance may differ as a result of end-user environment and application. All values are design or typical values, measured under laboratory conditions at 25°C(±5°C ) specifications subject to change without notice.*

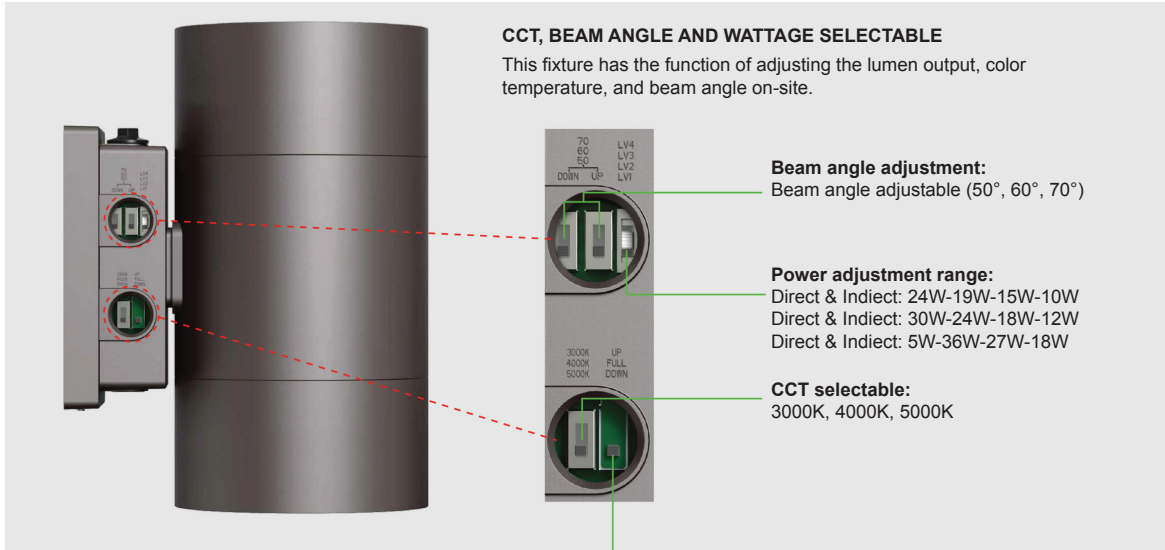


### ORDERING GUIDE

SAMPLE: BLS-WSL-3-24-27V-DDK-B-PC-AD-AT

MODEL	SIZE	WATTAGE	VOLTAGE	CCT	FINISH	PHOTOCELL	CCT & POWER ADJUSTABLE	BEAM ANGLE ADJUSTBLE
BLS-WSL	3 3"	24 24W	27V 120-277V	DDK CCT Adjustable Color Temperature	B Black CC Custom Color	PC With Photocell	AD With Adjustment Dial	AT With Adjustable Beam Angle
	4 4"	30 30W						
	6 3"	45 45W						

## STRUCTURAL DESIGN



**CCT, BEAM ANGLE AND WATTAGE SELECTABLE**  
This fixture has the function of adjusting the lumen output, color temperature, and beam angle on-site.

**Beam angle adjustment:**  
Beam angle adjustable (50°, 60°, 70°)

**Power adjustment range:**  
Direct & Indirect: 24W-19W-15W-10W  
Direct & Indirect: 30W-24W-18W-12W  
Direct & Indirect: 5W-36W-27W-18W

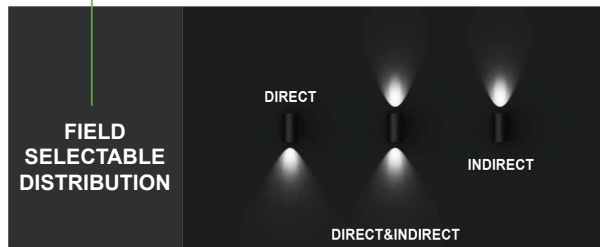
**CCT selectable:**  
3000K, 4000K, 5000K

### PHOTOCELL CAP

Disable



Enable

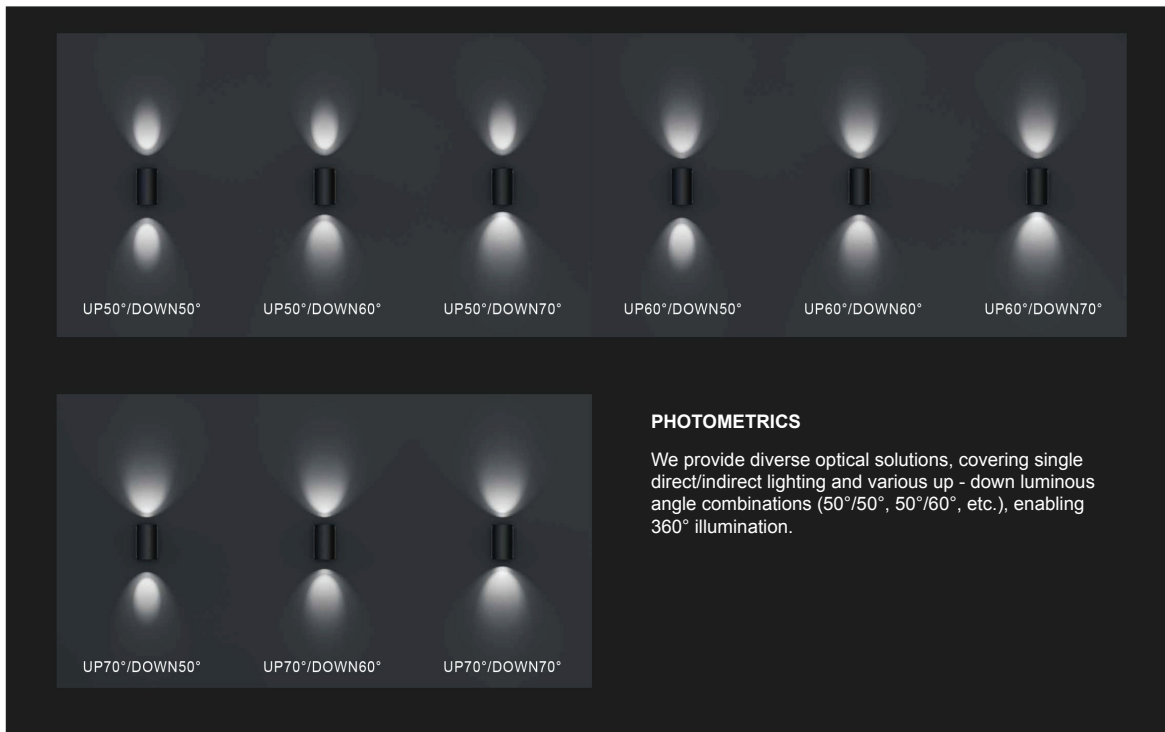
**FIELD SELECTABLE DISTRIBUTION**

DIRECT

INDIRECT

DIRECT&INDIRECT

## PHOTOMETRICS

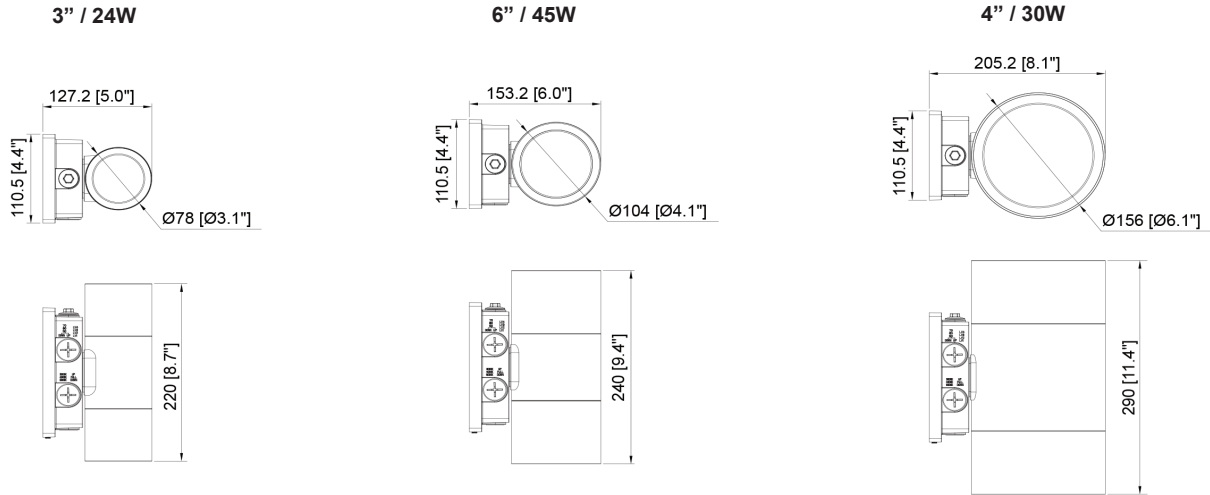


UP50°/DOWN50°    UP50°/DOWN60°    UP50°/DOWN70°    UP60°/DOWN50°    UP60°/DOWN60°    UP60°/DOWN70°

UP70°/DOWN50°    UP70°/DOWN60°    UP70°/DOWN70°

**PHOTOMETRICS**  
We provide diverse optical solutions, covering single direct/indirect lighting and various up - down luminous angle combinations (50°/50°, 50°/60°, etc.), enabling 360° illumination.

## DIMENSIONS



## PERFORMANCE DATA

BLS-WSL @ 3" 24W (Full)							
SETTING	SYSTEM WATTS	3000K (80CRI)		4000K (80CRI)		5000K (80CRI)	
		LUMENS	LPW	LUMENS	LPW	LUMENS	LPW
LV1	24W	2600 lm	108lm/W	2900 lm	121lm/W	2760 lm	115lm/W
LV2	19W	2080 lm	109lm/W	2350 lm	124lm/W	2230 lm	117lm/W
LV3	15W	1680 lm	112lm/W	1900 lm	126lm/W	1800 lm	119lm/W
LV4	10W	1140 lm	114lm/W	1280 lm	128lm/W	1220 lm	122lm/W

BLS-WSL @ 4" 30W (Full)							
SETTING	SYSTEM WATTS	3000K (80CRI)		4000K (80CRI)		5000K (80CRI)	
		LUMENS	LPW	LUMENS	LPW	LUMENS	LPW
LV1	30W	3150 lm	105lm/W	3660 lm	122lm/W	3400 lm	113lm/W
LV2	24W	2570 lm	107lm/W	2980 lm	124lm/W	2800 lm	116lm/W
LV3	18W	1980 lm	110lm/W	2270 lm	126lm/W	2100 lm	118lm/W
LV4	12W	1340 lm	112lm/W	1550 lm	129lm/W	1440 lm	120lm/W

BLS-WSL @ 6" 45W (Full)							
SETTING	SYSTEM WATTS	3000K (80CRI)		4000K (80CRI)		5000K (80CRI)	
		LUMENS	LPW	LUMENS	LPW	LUMENS	LPW
LV1	45W	4900 lm	109lm/W	5850 lm	130lm/W	5400 lm	120lm/W
LV2	36W	4030 lm	112lm/W	4790 lm	133lm/W	4430 lm	123lm/W
LV3	27W	3080 lm	114lm/W	3670 lm	136lm/W	3380 lm	125lm/W
LV4	18W	2100 lm	117lm/W	2480 lm	138lm/W	2300 lm	127lm/W

## ELECTRICAL DATA

Number Of Drivers	Driver Current(mA)	Nominal Power(W)	INPUT VOLTAGE(V)	CURRENT (Amps)
1	430	24	120	0.20
		24	208	0.12
		24	240	0.10
		24	277	0.09
1	470	30	120	0.25
		30	208	0.14
		30	240	0.13
		30	277	0.11
1	730	45	120	0.38
		45	208	0.22
		45	240	0.19
		45	277	0.16