



Technical Specifications

INPUT VOLTAGE: 120-277V or 347-480V

LIGHT DISTRIBUTION: LEDs are mounted to the inside of the fixture trim ring, which serves as a heat sink to ensure optimal heat dissipation. This type of mounting allows for both Type 5 (standard) and Type 3 light distribution patterns to be offered.

GLOBE MATERIALS: Acrylic - Our two-piece acrylic lens post-top features precise prisms achievable only through injection molding. The prisms provide pleasing daytime 'prismatic sparkle' and provide excellent uniformity, light distribution, and efficiency for nighttime performance. The globe carries a 20-year warranty which includes resistance to yellowing, as we define as having a yellowness index of less than 7. There are also two options for limiting the uplight emitted from the fixture. The perforated light lid is a polished reflector above the LEDs, limiting uplight to approximately 30% in the upper globe. The cutoff light lid is a solid polished reflector that eliminates light to the upper globe.

FITTER: Slip fits over 2 7/8" and 3" OD tenons on most decorative poles. Uses A356 aluminum comprises 92.05% Aluminum, 7% Silicon, 0.35% Magnesium, 0.20% Iron, 0.20% Copper, 0.10% Manganese, and 0.10% Zinc. It is lightweight and highly corrosion-resistant, like stainless steel. Heat treated to improve strength—low impurities cause high strength and ductility.

FINISH: Cast aluminum housing with textured or 60% gloss polyester powder coat finishes for maximum durability. The base aluminum material is prepared using an environmentally friendly non-chrome 2-step surface cleaning and passivation process. The process results in a more durable conversion layer than traditional chromate conversion coatings and allows maximum powder coating adhesion to the aluminum fitter.

EFFECTIVE PROJECTED AREA (EPA): 1.4 ft²

LUMECON ETD™ SYSTEM: The enhanced thermal dissipation system engines are thermally bonded to provide maximum thermal dissipation to the fixture's exterior to ensure long life. To protect the light engine panel from moisture and corrosion, the LED light engine panel is uniformly coated with a UV-stabilized acrylic polymer resin that meets MIL and ASTM dielectric standards, UL, and IPC standards for flammability, moisture resistance, and thermal shock.

COLOR TEMPERATURE: 2200K, 2700K, 3000K, 4000K, and 5000K.

LED LIFETIME: All LEDs are rated for a minimum of 100,000 hours of continuous operation at ambient temperatures from -40°F/-40°C to 115°F/46°C.

COLOR RENDERING INDEX (CRI): Minimum of 80 or higher.

DIMMING: 0-10V standard dimming capability.

SURGE PROTECTION: Thermally protected 20kA/ 40kV varistor type surge suppressor is included and meets ANSI C136.2-2015: Extreme Level. It also meets IEC61643-11 Class II / EN61643-11 Type 2 and US Dept of Energy MSSLC Model Spec for surge protection. The device is wired in series with the luminaire input power to interrupt power to the luminaire when consumed, protecting the LED power supply and circuit boards from additional electrical surges.

MANUFACTURING ORIGIN: US Manufactured and Assembled

BUY AMERICAN: Meets Buy American requirements within the ARRA and Build Back Better Acts.

WARRANTY: 10 Year L70 performance-based warranty. For full warranty terms, please visit our website: www.lumecon.com.

CERTIFICATION DATA: ETL Listed to UL 1598, UL 8750, and CSA 22.2 No. 250 for Wet Locations. *Full compliance and test documentation is available for TM-21, LM-79, LM-80, ETL Listing to UL1598 and UL 8750.

Description

TheLBOF-NF decorative post-top utilizes our patented thermal integrated trim ring for maximize heat dissipation. Available in three wattage outputs, it is able to replace 100W-250W fixtures one-for one. Each model delivers superior lumen output to illuminate your next downtown lighting project.

Performance Data

Model	Watts	Equip	Delivered Lumens	Efficacy
LBOF-NF-1 (Type V)	54W	100W HID	3,922 Lm	72 LPW
LBOF-NF-2 (Type V)	84W	175W HID	5,739 Lm	68 LPW
LBOF-NF-3 (Type V)	118W	250W HID	7,276 Lm	62 LPW

Ordering Information

Example Part Number: LBOF-NF-2-1-22-AC-BH2-BK-FN1-PC-7P

MODEL	WATTAGE	VOLTAGE	REQUIRED				OPTIONAL	
			CCT	GLOBE	FITTER	FINISH	PHOTOCELL	CONTROLS READY
LBOF-NF	1 - 54W / Type V	1 - 120v - 277v	22 - 2200K	AC - Acrylic Prismatic Injection - Clear	X - None	BK - Black Gloss	PC - Button Eye	7P - 7 Pin Receptacle
Ball of Fire Non Finned	2 - 84W / Type V	2 - 347v - 480v	27 - 2700K		BH0	BT - Black Textured		
			30 - 3000K		BH1	SB - Statuary Bronze		
			40 - 4000K		BH2	GN - Green		
			50 - 5000K		BH8	Premium Finishes		
					BH13	WH - White Gloss		
				BHU	CV - Copper Vein			
					GV - Green Vein			
					CF - Custom Finish			

Fitters



BH0
10.25"



BH1
10"



BH2
6.75"



BH8
12"



BH13
13.4"



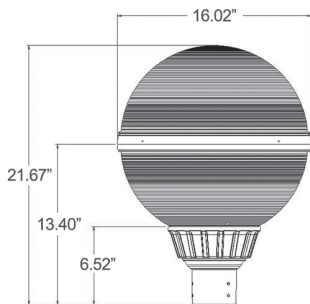
BHU
15.69"

For additional Information,
download [Fitter Guide here](#)

For additional Information,
download [Utility Fitter here](#)

Dimensions & Weights

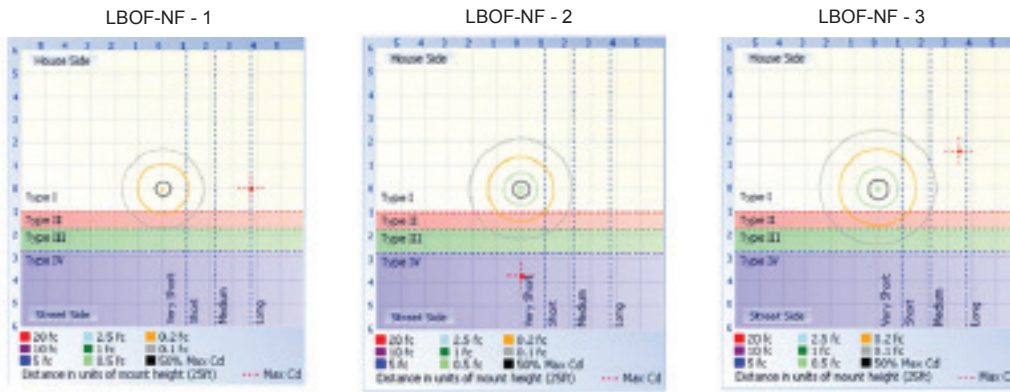
Model	Ring Diameter	Globe Height	Weight
LBOF-NF	16.02"	21.67"	14 lbs.



LBOF-NF

Photometric Data

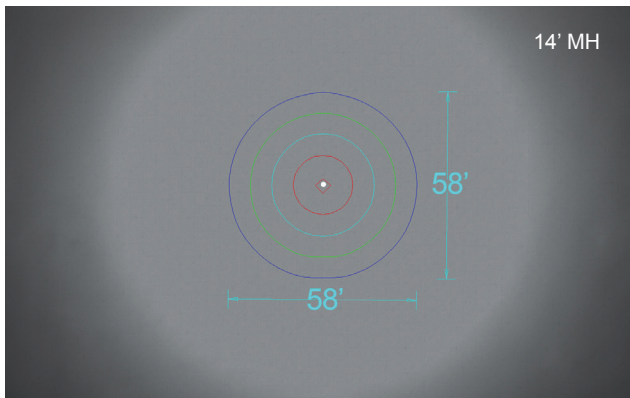
For .ies files of this product, please visit the downloads tabs on the LBOF product page: <http://lumecon.com/products/lbof-ball-of-fire/>



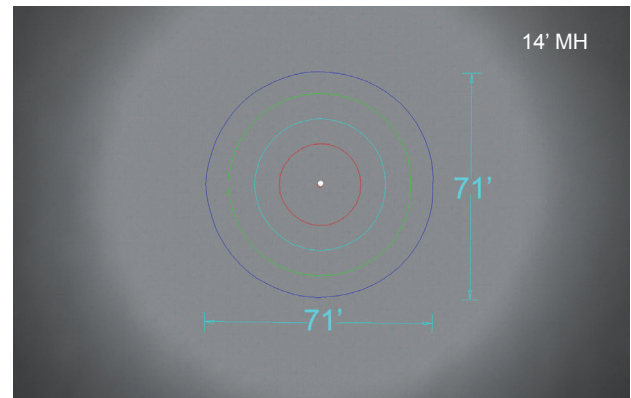
Photometric Illustration

For .ies files of this product, please visit the downloads tabs on the LBOF / LBOF-NF product page: <http://lumecon.com/products/lbof-ball-of-fire/>

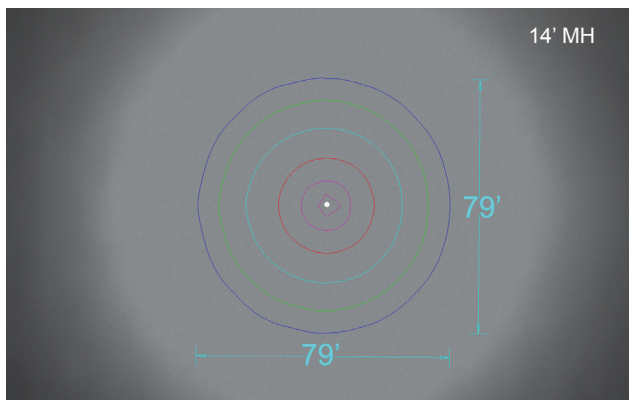
LBOF-NF-1



LBOF-NF - 2



LBOF-NF - 3



Performance Data

Electrical Load Data

Fixture Model	Drive Current (mA)	System Watts (W)	AC Current Load (A)			
			120V	208V	240V	277V
LBOF-NF-1	59	54.1	0.50	0.29	0.25	0.22
LBOF-NF-2	88	84.4	0.78	0.45	0.39	0.34
LBOF-NF-3	117	117.6	1.09	0.63	0.54	0.47

Lumen Maintenance

Data in the table below references projected performance in a 25°C ambient and is based on 10,000 hours of LED testing. Performance data has been tested per IESNA LM-80-08 and projected per IESNA TM-21-11.

Use the lumen maintenance factor that corresponds to the desired number of operating hours below to calculate LLF.

Fixture Model	Lumen Maintenance Factors @ 25°C, by hours:				
	0	25,000	50,000	70,000	100,000
LBOF-NF-1	1.0	0.96	0.93	0.90	0.86
LBOF-NF-2	1.0	0.95	0.91	0.88	0.84
LBOF-NF-3	1.0	0.95	0.91	0.88	0.84

OPTIONAL BASE AND POLE ORDERING INFORMATION





DECORATIVE BASE OPTIONS	POLE OPTIONS	MOUNTING HEIGHTS	FINISH
H-Arlen-17	Round Straight Aluminum	08 - 8' 14 - 14' 20 - 20'	01 - Satin Aluminum (RTA and RSA)
H-York-17	Round Tapered Aluminum	10 - 10' 16 - 16' 25 - 25'	02 - Satin Aluminum (SSA)
H-Homewood	Round Fluted Aluminum	12 - 12' 18 - 18' 30 - 30'	BA - Black Powder Coat
H-Morgan			BH - White Powder Coat
			BM - Dark Bronze Powder Coat
			BV - Dark Green Powder Coat
			GC - Gray Powder Coat
			.. - Specify Finish



NEED MORE CHOICES?
For additional Globe options, download [Globe Catalog here](#)

Decorative Bases Ordering Information

Over 58 Base options available. The most popular listed below. To view all options, download [Base Guide here](#)

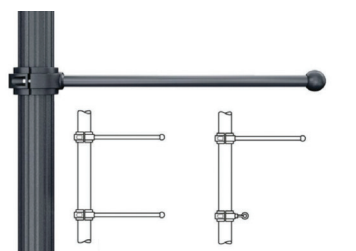
4' 3' 2' 1' 0	4' 3' 2' 1' 0	4' 3' 2' 1' 0	4' 3' 2' 1' 0
			
H-Arlen 17 Base Diameter: 17" 4" - 5" - 6" Butt Diameter	H-York 17 Base Diameter: 17" 4" - 5" - 6" Butt Diameter	H-Homewood Base Diameter: 11.125" 4" Butt Diameter	H-Morgan Base Diameter: 13.5" 4" Butt Diameter

For detailed design, quote, and specific cut sheet information, contact Lumecon at Sales@Lumecon.com

Accessories Ordering Information

For additional information on Accessories and Options, download [Pole Guide here](#)

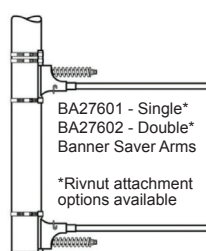
Cast Banner Arms



BA27301 - Single
BA27302 - Double
Cast Band Mount
Banner Arms

BA27401 - Single
BA27402 - Double
Cast Band Mount
Banner Arms
Standard Top, Eye
Hook Bottom

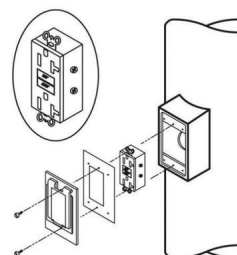
Banner Saver Arms



BA27601 - Single*
BA27602 - Double*
Banner Saver Arms

*Rivnut attachment options available

GFI Receptacle Outlet Box



Additional Accessories

- Flower Pot Holders
- FHWA Accepted Break Away Systems
- Additional Hand Holes
- Camera Mounts
- Decorative Arms
- Slip Fitter Tenons
- Vibratoin Dampeners
- Sign Brackets