



Midtown Decorative Series

Experience the Difference
in Performance, Quality,
and American-Made Excellence.

Midtown Decorative Series

Looking for a decorative LED lighting solution that's not only stylish but also built to last? Look no further than Lumecon's Midtown Series, made in USA BAA, BABAA compliant LED lights.

- Decorative Post-Tops
- Architectural Post-Tops
- Carriage Post-Tops
- Hang-Straight Teardrop
- Side-Mount Teardrop
- Walkway Bollards

The Midtown Series provides a wide range of customizable options that can improve any streetscape project, including municipal, public works, commercial, and retail, as well as campus lighting requirements. With its classic and traditional shapes, the Midtown Series offers customizable features such as anti-glare optics, tiered wattages, and a variety of color temperatures. Whether you need custom assembly or specific project design, spec, or RFP requirements, the Midtown Series offers numerous options to suit your needs.

Lumecon values the importance of creating high-performance and quality products that support American jobs and manufacturing. We take pride in offering products that are made in the USA, including the Midtown Series. Our team uses top-quality materials and cutting-edge technology to ensure the Midtown Series is durable, reliable, and built to last.



The right combination of globes, cages, fitters, and finials can add significant aesthetic value and contribute to a visually pleasing streetscape.

GLOBES

We offer a range of one-piece textured blow molded acrylic and polycarbonate globes and two-piece injection molded prismatic acrylic globes. The one-piece textured blow molded globe is designed for LED and is impact modified and UV resistant. The two-piece acrylic lens post top has precise prisms achieved through injection molding, which provide uniform light distribution and efficiency.

ROOFS & CAGES

Decorative roof tops and stylized cage designs can add significant aesthetic value to streetscape decorative post-tops, enhancing the overall look and feel of the urban landscape. These optional features provide designers with a wide range of creative possibilities to make the lighting fixtures more visually appealing and unique, while also enhancing the streetscape's character and identity.

FITTERS & FINIALS

A variety of fitter sizes and designs, as well as finial choices, are critical elements that can complete the overall look of a decorative post-top. They offer designers an opportunity to add custom flair and character to their lighting fixtures, making them stand out in any streetscape.

POLES, ACCESSORIES & BASES

No decorative post-top project is complete without the perfect pole, which not only elevates the look of the fixture but also adds a touch of sophistication to any streetscape. Our steel or aluminum poles come in various sizes and finishes, offering endless possibilities to enhance the overall design aesthetic. Additionally, our collection of decorative base options is sure to impress and inspire creativity in any layout design.

*Pictured:
LM-AMB*

The Lumecon DIFFERENCE

Lumecon's Midtown Decorative Series stands out as the ideal choice for those seeking premium quality and customized decorative outdoor lighting solutions.



*Pictured:
LM-AMB*



*Pictured:
LM-CRT*

MATERIALS / FINISHES

When considering the longevity and return on investment of your Decorative Post-Top, the choice of materials and finishes is a crucial factor. Our selection of durable acrylic and polycarbonate globes, which are UV resistant, and vandal-resistant lenses, are designed to withstand the test of time. In addition, our cast aluminum fitters can endure even the harshest climates. By prioritizing durability, corrosion resistance, and reduced maintenance, our materials and finishes offer superior performance and value.

- Globes: Acrylic, Polycarbonate, Prismatic - UV stabilized / UV resistant
- Housing: Cast aluminum fitter housing with textured or 60% gloss polyester powder coat finishes for maximum durability
- Finishes: Gloss, textured, antique, custom color ways suitable for all locations including marine conditions and harsh UV exposures

LUMECON LIGHT ENGINES

Lumecon's ETD™ System represents an innovative approach to thermal design, delivering a product that, improves energy efficiency, durability, and high-quality lighting performance.

Lumecon's Industry-First Thermal Design, ETD™ System:

- Utilizes a thermally bonded light engine to enhance thermal dissipation and ensure long life.
- Provides maximum thermal dissipation to the fixture exterior to keep it cool and maintain high-quality lighting performance over time.
- Uniformly coats the LED light engine panel with a UV-stabilized acrylic polymer resin that meets MIL and ASTM dielectric standards to protect it from moisture and corrosion.
- Tests each light engine to UL and IPC standards for flammability, moisture resistance, and thermal shock to ensure quality and reliability.



L-RETRO-DG
Light Engine



L-RETRO-T
Light Engine

EMBRACING RESPONSIBLE OUTDOOR LIGHTING

Joining IES and IDA in promoting the five principles for responsible lighting:

- ✓ **Useful:** Purposeful Lighting
- ✓ **Targeted:** Precision in Illumination
- ✓ **Low Light:** Minimizing Brightness
- ✓ **Controlled:** Efficient Usage
- ✓ **Color:** Warm & Natural Tones

By embracing these principles, we are confident that responsible outdoor lighting can coexist harmoniously with the environment and contribute to the well-being of communities. Lumecon is dedicated to providing innovative lighting solutions that align with these principles, helping you create outdoor spaces that are both functional and environmentally friendly.



*Pictured:
LM-ALX*

OPTIONS AND ACCESSORIES

To optimize the performance of your custom Decorative Post-Top, we provide a range of accessories such as photo controls and 7-pin receptacles, to name just a few. These customized options can help you achieve energy efficiency and minimize light pollution.

- 7-Pin Receptacle
- House Side Shield
- Twist Lock Photo Control
- Button Eye Photo Control
- Reflectors

7-Pin Receptacle Sample

Turn every Lumecon light into a smart city hub to control lights, densify WiFi and provide data backhaul.



Type IV Distribution Sample

Reduces light pollution and protects certain areas by directing light away from unwanted locations.



The Right Choice

By selecting Lumecon's high-quality post-top decorative fixtures, our customers can create a safe and welcoming outdoor environment while ensuring responsible outdoor lighting practices.



*Pictured:
LM-AMB*

DECORATIVE GLOBES

Our globe series have a street-side lighting efficiency three times that of traditional globes, which makes them ideal for creating safer and more shadow-free environments, increase light levels and uniformity while reducing glare. Available in traditional and contemporary globe designs.



LM-AMB
Page 8



LM-BRP
Page 10



LM-CRT
Page 12



LM-LCT
Page 14



LM-GRL
Page 16



LM-GRT
Page 18



LM-HAM
Page 20



LM-LPL
Page 22



LM-LPM
Page 24



LM-LWW
Page 26



LM-NH
Page 28



LM-WW
Page 30



LM-WW
Page 32

CONTEMPORARY GLOBES



L35 West
Page 34



LM-CAN
Page 36



LBOF
Page 38

CONTEMPORARY POST-TOP



BLS-MID
Page 40

CARRIAGE POST-TOPS

Our traditional carriage post-top fixtures are inspired by classic architectural designs from early America, but incorporate modern LED technology. We offer a wide variety of styles, finishes, and optic packages to choose from, so you can find the perfect fixture to suit your needs.



LM-ADM
Page 42



LM-ALX
Page 44



LM-BRD
Page 46



LM-BRT
Page 48



LM-CAS
Page 50



LM-CLM
Page 52



LM-FRS
Page 54



LM-MAJ
Page 56



LM-MCK
Page 58



LM-MDN
Page 60



LM-MON
Page 62



LM-SCH
Page 64



LM-TRM
Page 66



BLS-CAR
Page 68

PENDANTS

Our pendants offer exceptional light uniformity and are perfect where dark-sky friendly applications are a priority.



LM-ALD
Page 70



LMTD-HS
Page 72



LMTD-SM
Page 74



LM-TAH
Page 76

BOLLARDS

Available in a variety of styles from traditional to contemporary, the Bollards are built with die-cast aluminum housing and vandal resistant polycarbonate lens.



BOLLARDS
Page 78

POLES, ACCESSORIES & BASES

Complete your lighting project with a wide range of decorative poles, accessories and bases. Including steel, aluminum and smart pole options plus structural, clamshell and hybrid clamshell decorative bases.



POLES AND ACCESSORIES
Page 80



DECORATIVE BASES
Page 82



Shown with:
B - Top Globe Color
BHU - Fitter

FEATURES

- 3000K or 4000K Color Temperatures
- 20kA / 40kV Extreme Surge Suppressor
- 7-Pin Receptacle Ready for use with Wireless Control Systems (optional)
- Refractor and prismatic top feature a historically significant and Euro-styled uniqueness
- Enhanced Thermal Dissipation System provides maximum thermal dissipation
- All LEDs are rated for a minimum of 100,000 hours of continuous operation at ambient temperatures from -40°F/-40°C to 115°F/46°C
- 120-277V or 347-480V Input Voltage
- Two-piece prismatic acrylic globe construction to obscure points of light
- 20 Year Non-Yellowing Globe Warranty
- Slip fits over 2 7/8" and 3" OD tenons on most decorative poles. Requires nominal 3" diameter x 2 7/8" tall tenon
- Cast aluminum fitter housing with textured or 60% gloss polyester powder coat finishes for maximum durability
- CSA 22.2 No. 250 for Wet Locations and BABA / BAA compliant
- 10-Year L70 performance-based warranty



Fitters



PERFORMANCE DATA

DISTRIBUTION	WATTAGE	3000K		4000K	
		LUMENS	EFFICACY	LUMENS	EFFICACY
Type III	30	3,887	127	4,140	136
Type III	45	5,803	121	6,148	129
Type III	75	8,952	115	9,495	122
Type III	90	10,426	111	11,065	119
Type V	26	3,499	136	3,647	142
Type V	42	5,928	131	6,170	136
Type V	68	9,226	128	9,636	133
Type V	95	12,279	122	12,763	126

ORDERING INFORMATION

Lumecon Midtown Post-Top Series
Ordering Example: LM-AMB-FL-2-1-30-B-8-C-X-BH13-X-FN1-7P-X-X

REQUIRED							
MODEL	DECORATIVE RING	WATTAGE	VOLTAGE	CCT	TRIM COLOR	GLOBE NECK	GLOBE TOP COLOR
LM-AMB	FL - Contemporary Finless	1 - 30W / Type III	1 - 120-277V	30 - 3000K	B - Black	8 - 8" Neck	C - Clear
	F - Classic Finned	2 - 45W / Type III	2 - 347-480V	40 - 4000K	CC - Custom Color	9 - 9" Neck ¹	B - Black*
		3 - 75W / Type III					CC - Custom Color**
		4 - 90W / Type III					
		5 - 26W / Type V					*Includes Lux Canopy
		6 - 42W / Type V					**RAL number required
		7 - 68W / Type V					
		8 - 95W / Type V					
OPTIONAL							
FITTER ²	BAND & LEGS	FINIAL	PHOTOCELL ¹	CONTROLS READY	SHIELD	LUX CANOPY	
X - None	K100292	FN1 ⁴	PC - Button Eye Style	7P - 7 Pin Receptacle	H - House Shield	P - Perforated	
BH0 ³	CAGES ¹ See below	FN2	TL - Twist Lock for use with B12 Fitter Only	SH - Shorting Cap		C - Cutoff*	
BH1		FN3 ⁴				*Included on custom color top globe color orders	
BH2		FN4					
BH8							
BH13 ³							
BHU ³							

Notes:
1. Use BH0 for 9" neck Globes
2. Cage and Fitter welded together requiring both to be selected
3. BH0, BH13, and BHU not compatible with Cages
4. FN1 and FN3 are Acrylic and only available in black

Band & Legs Sample

Finials

Lux Canopy



K100292



FN1
5"

FN2
4"



FN3
3"

FN4
3.5"



Cage Option Samples



CG21

CG22M1

CG23M1

CG28



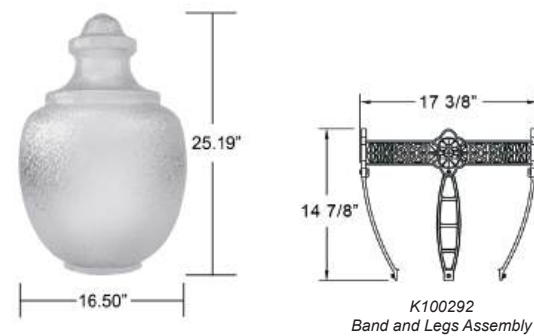


Shown with:
CA - Clear Acrylic Globe
BHU - Fitter
BK - Black Gloss

Requires nominal 3" diameter x 2 7/8" tall tenon

FEATURES

- 2200K, 2700K, 3000K, 4000K or 5000K Color Temperatures
- Preprogrammed Wattages available in 35W, 45W and 55W
- 20kA / 40kV Extreme Surge Suppressor
- 7-Pin Receptacle Ready for use with Wireless Control Systems (optional)
- Powered by the Lumecon L-RETRO-DG Light Engine
- Enhanced Thermal Dissipation System provides maximum thermal dissipation
- All LEDs are rated for a minimum of 100,000 hours of continuous operation at ambient temperatures from -40°F/-40°C to 115°F/46°C
- Acrylic and Polycarbonate Globe materials available
- 120-277V or 347-480V Input Voltage
- Slip fits over 2 7/8" and 3" OD tenons on most decorative poles. Requires nominal 3" diameter x 2 7/8" tall tenon
- Cast aluminum fitter housing with textured or 60% gloss polyester powder coat finishes for maximum durability
- DLC® qualified lite engine and ETL Listed to UL 1598 / 8750 and CSA 22.2 No. 250 for Wet Locations and BABA / BAA compliant
- 10-Year L70 performance-based warranty



Fitters



L-RETRO-DG LIGHT ENGINE



PERFORMANCE DATA

DISTRIBUTION	WATTAGE	2200K		2700K		3000K		4000K		5000K	
		LUMENS	EFFICACY	LUMENS	EFFICACY	LUMENS	EFFICACY	LUMENS	EFFICACY	LUMENS	EFFICACY
Type 5	35	3,500	100	4,480	128	4,480	128	4,585	131	4,550	130
Type 5	45	4,365	97	5,580	124	5,580	124	5,895	131	5,670	126
Type 5	55	5,170	94	6,655	121	6,655	121	6,765	123	6,655	121

ORDERING INFORMATION

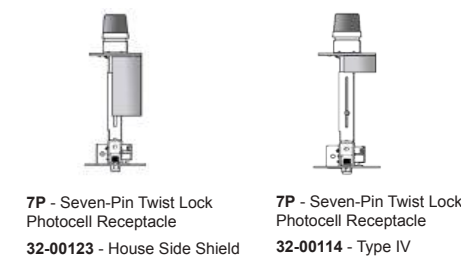
Lumecon Midtown Post-Top Series
Ordering Example: LM-BRP-35-1-22-CA-BH2-BK-K100292-SR1-FN1-3200123-PC-7P

REQUIRED							OPTIONAL						
MODEL	WATTAGE	VOLTAGE	CCT	GLOBE	FITTER ¹	FINISH	BAND & LEGS	SOLID ROOF	FINIAL	HOUSE SIDE SHIELD	PHOTOCELL	CONTROLS READY	DISTRIBUTION
LM-BRP	35 - 35 Watts	1 - 120-277V	22 - 2200K	CA - Clear Acrylic	X - None	BK - Black Gloss	K100292	SR1	FN1 ³	32-00123 - House Side Shield	PC - Button Eye	7P - 7 Pin Receptacle	32-00114 - Type IV
	45 - 45 Watts	2 - 347-480V	27 - 2700K	WA - White Acrylic	BH0 ²	BT - Black Textured			FN2				
	55 - 55 Watts		30 - 3000K	CP - Clear Polycarbonate	BH1	DB - Dark Bronze			FN3 ³				
			40 - 4000K		BH2	GN - Green			FN4				
			50 - 5000K		BH8	Premium Finishes							
					BH13 ²	WH - White Gloss							
					BHU ²	CF - Custom Finish							

Notes:
1. Cage and Fitter welded together requiring both to be selected
2. BH0, BH13, and BHU not compatible with Cages
3. FN1 and FN3 are Acrylic and only available in black



Controls Ready



Cage Option Samples





Shown with:
CA - Clear Acrylic Globe
BH2 - Fitter
BK - Black Gloss

Requires nominal 3" diameter x 2 7/8" tall tenon

FEATURES

- 2200K, 2700K, 3000K, 4000K or 5000K Color Temperatures
- Preprogrammed Wattages available in 35W, 45W and 55W
- 20kA / 40kV Extreme Surge Suppressor
- 7-Pin Receptacle Ready for use with Wireless Control Systems (optional)
- Powered by the Lumecon L-RETRO-DG Light Engine
- Enhanced Thermal Dissipation System provides maximum thermal dissipation
- All LEDs are rated for a minimum of 100,000 hours of continuous operation at ambient temperatures from -40°F/-40°C to 115°F/46°C
- Acrylic and Polycarbonate Globe materials available
- 120-277V or 347-480V Input Voltage
- Slip fits over 2 7/8" and 3" OD tenons on most decorative poles. Requires nominal 3" diameter x 2 7/8" tall tenon
- Cast aluminum fitter housing with textured or 60% gloss polyester powder coat finishes for maximum durability
- DLC® qualified lite engine and ETL Listed to UL 1598 / 8750 and CSA 22.2 No. 250 for Wet Locations and BABA / BAA compliant
- 10-Year L70 performance-based warranty



Fitters



BH0 10.25" BH1 10" BH2 6.75" BH8 12" BH13 13.4" BHU 15.69"

PERFORMANCE DATA

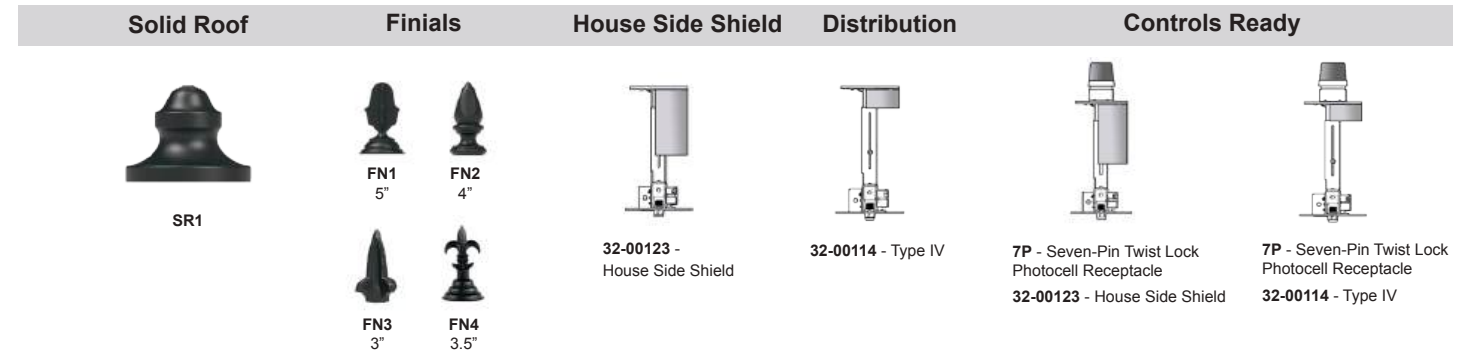
DISTRIBUTION	WATTAGE	2200K		2700K		3000K		4000K		5000K	
		LUMENS	EFFICACY	LUMENS	EFFICACY	LUMENS	EFFICACY	LUMENS	EFFICACY	LUMENS	EFFICACY
Type 5	35	3,500	100	4,480	128	4,480	128	4,585	131	4,550	130
Type 5	45	4,365	97	5,580	124	5,580	124	5,895	131	5,670	126
Type 5	55	5,170	94	6,655	121	6,655	121	6,765	123	6,655	121

ORDERING INFORMATION

Lumecon Midtown Post-Top Series
Ordering Example: LM-CRT-35-1-22-CA-BH2-BK-SR-FN1-HSS-PC-7P

REQUIRED							OPTIONAL					
MODEL	WATTAGE	VOLTAGE	CCT	GLOBE	FITTER	FINISH	SOLID ROOF	FINIAL	HOUSE SIDE SHIELD	PHOTOCELL	CONTROLS READY	DISTRIBUTION
LM-CRT	35 - 35 Watts	1 - 120-277V	22 - 2200K	CA - Clear Acrylic	X - None	BK - Black Gloss	SR1	FN1 ¹	32-00123 - House Side Shield	PC - Button Eye	7P - 7 Pin Receptacle	32-00114 - Type IV
	45 - 45 Watts	2 - 347-480V	27 - 2700K	WA - White Acrylic	BH0	BT - Black Textured	FN2					
	55 - 55 Watts			30 - 3000K	CP - Clear Polycarbonate	BH1	DB - Dark Bronze	FN3 ¹				
						BH2	GN - Green	FN4				
			40 - 4000K		BH8	Premium Finishes						
			50 - 5000K		BH13	WH - White Gloss						
					BHU	CF - Custom Finish						

Notes:
1. FN1 and FN3 are Acrylic and only available in black





Shown with:
CA - Clear Acrylic Globe
BH2 - Fitter
BK - Black Gloss

Requires nominal 3" diameter x 2 7/8" tall tenon

FEATURES

- 2200K, 2700K, 3000K, 4000K or 5000K Color Temperatures
- Preprogrammed Wattages available in 35W, 45W and 55W
- 20kA / 40kV Extreme Surge Suppressor
- 7-Pin Receptacle Ready for use with Wireless Control Systems (optional)
- Powered by the Lumecon L-RETRO-DG Light Engine
- Enhanced Thermal Dissipation System provides maximum thermal dissipation
- All LEDs are rated for a minimum of 100,000 hours of continuous operation at ambient temperatures from -40°F/-40°C to 115°F/46°C
- Acrylic and Polycarbonate Globe materials available
- 120-277V or 347-480V Input Voltage
- Slip fits over 2 7/8" and 3" OD tenons on most decorative poles. Requires nominal 3" diameter x 2 7/8" tall tenon
- Cast aluminum fitter housing with textured or 60% gloss polyester powder coat finishes for maximum durability
- DLC® qualified lite engine and ETL Listed to UL 1598 / 8750 and CSA 22.2 No. 250 for Wet Locations and BABA / BAA compliant
- 10-Year L70 performance-based warranty



PERFORMANCE DATA










DISTRIBUTION	WATTAGE	2200K		2700K		3000K		4000K		5000K	
		LUMENS	EFFICACY	LUMENS	EFFICACY	LUMENS	EFFICACY	LUMENS	EFFICACY	LUMENS	EFFICACY
Type 5	35	3,500	100	4,480	128	4,480	128	4,585	131	4,550	130
Type 5	45	4,365	97	5,580	124	5,580	124	5,895	131	5,670	126
Type 5	55	5,170	94	6,655	121	6,655	121	6,765	123	6,655	121

ORDERING INFORMATION

Lumecon Midtown Post-Top Series
Ordering Example: LM-LCT-35-1-22-CA-BH2-BK-SR1-FN1-32-00123-PC-7P

REQUIRED							OPTIONAL					
MODEL	WATTAGE	VOLTAGE	CCT	GLOBE	FITTER	FINISH	SOLID ROOF	FINIAL	HOUSE SIDE SHIELD	PHOTOCELL	CONTROLS READY	DISTRIBUTION
LM-LCT	35 - 35 Watts	1 - 120-277V	22 - 2200K	CA - Clear Acrylic	X - None	BK - Black Gloss	SR1	FN1'	32-00123 - House Side Shield	PC - Button Eye	7P - 7 Pin Receptacle	32-00114 - Type IV
	45 - 45 Watts	2 - 347-480V	27 - 2700K	WA - White Acrylic	BH0	BT - Black Textured		FN2				
	55 - 55 Watts		30 - 3000K	CP - Clear Polycarbonate	BH1	DB - Dark Bronze		FN3'				
			40 - 4000K		BH2	GN - Green		FN4				
			50 - 5000K		BH8	Premium Finishes						
					BH13	WH - White Gloss						
					BHU	CF - Custom Finish						

Notes:
1. FN1 and FN3 are Acrylic and only available in black

Solid Roof	Finials	House Side Shield	Distribution	Controls Ready
 SR1	 FN1 5"  FN2 4"	 32-00123 - House Side Shield	 32-00114 - Type IV	 7P - Seven-Pin Twist Lock Photocell Receptacle  32-00123 - House Side Shield
	 FN3 3"  FN4 3.5"			 7P - Seven-Pin Twist Lock Photocell Receptacle 32-00114 - Type IV

Fitters



L-RETRO-DG LIGHT ENGINE





Shown with:
CA - Clear Acrylic Globe
BH1 - Fitter
BK - Black Texture

Requires nominal 3" diameter x 2 7/8" tall tenon

FEATURES

- 2200K, 2700K, 3000K, 4000K or 5000K Color Temperatures
- Preprogrammed Wattages available in 35W, 45W and 55W
- 20kA / 40kV Extreme Surge Suppressor
- 7-Pin Receptacle Ready for use with Wireless Control Systems (optional)
- Powered by the Lumecon L-RETRO-DG Light Engine
- Enhanced Thermal Dissipation System provides maximum thermal dissipation
- All LEDs are rated for a minimum of 100,000 hours of continuous operation at ambient temperatures from -40°F/-40°C to 115°F/46°C
- Acrylic and Polycarbonate Globe materials available
- 120-277V or 347-480V Input Voltage
- Slip fits over 2 7/8" and 3" OD tenons on most decorative poles. Requires nominal 3" diameter x 2 7/8" tall tenon
- Cast aluminum fitter housing with textured or 60% gloss polyester powder coat finishes for maximum durability
- DLC® qualified lite engine and ETL Listed to UL 1598 / 8750 and CSA 22.2 No. 250 for Wet Locations and BABA / BAA compliant
- 10-Year L70 performance-based warranty



Fitters



BH0 10.25" BH1 10" BH2 6.75" BH8 12" BH13 13.4" BHU 15.69"

L-RETRO-DG LIGHT ENGINE



PERFORMANCE DATA

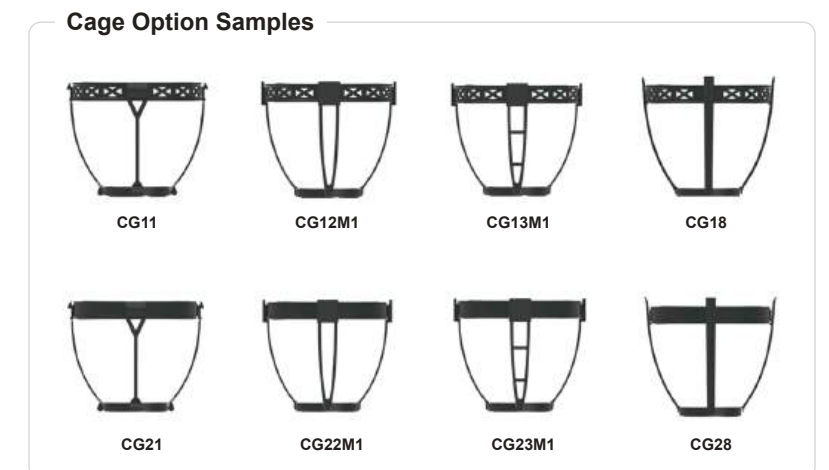
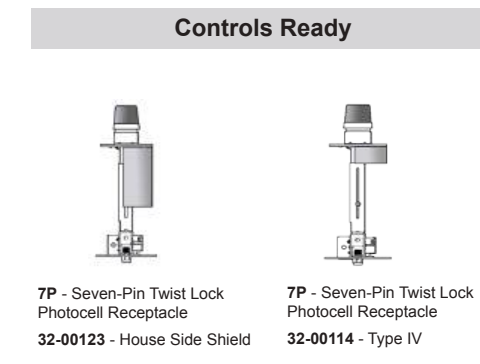
DISTRIBUTION	WATTAGE	2200K		2700K		3000K		4000K		5000K	
		LUMENS	EFFICACY	LUMENS	EFFICACY	LUMENS	EFFICACY	LUMENS	EFFICACY	LUMENS	EFFICACY
Type 5	35	3,500	100	4,480	128	4,480	128	4,585	131	4,550	130
Type 5	45	4,365	97	5,580	124	5,580	124	5,895	131	5,670	126
Type 5	55	5,170	94	6,655	121	6,655	121	6,765	123	6,655	121

ORDERING INFORMATION

Lumecon Midtown Post-Top Series
Ordering Example: LM-GRL-35-1-CA-BH2-BK-K100292-SR2-FN1-32-00123-PC-7P

REQUIRED							OPTIONAL						
MODEL	WATTAGE	VOLTAGE	CCT	GLOBE	FITTER ¹	FINISH	BAND AND LEGS	SOLID ROOF	FINIAL	HOUSE SIDE SHIELD	PHOTOCELL	CONTROLS READY	DISTRIBUTION
LM-GRL	35 - 35 Watts	1 - 120-277V	22 - 2200K	CA - Clear Acrylic	X - None	BK - Black Gloss	K100292	SR2	FN1 ³	32-00123 - House Side Shield	PC - Button Eye	7P - 7 Pin Receptacle	32-00114 - Type IV
	45 - 45 Watts	2 - 347-480V	27 - 2700K	WA - White Acrylic	BH0 ²	BT - Black Textured			FN2				
	55 - 55 Watts		30 - 3000K	CP - Clear Polycarbonate	BH1	DB - Dark Bronze			FN3 ³				
			40 - 4000K	LD - LD Visual Comfort	BH2	GN - Green			FN4				
			50 - 5000K		BH8	Premium Finishes							
					BH13 ²	WH - White Gloss							
					BHU ²	CF - Custom Finish							

Notes:
1. Cage and Fitter welded together requiring both to be selected
2. BH0, BH13, and BHU not compatible with Cages
3. FN1 and FN3 are Acrylic and only available in black





Shown with:
CA - Clear Acrylic Globe
BHU - Fitter
BK - Black Gloss

Requires nominal 3" diameter x 2 7/8" tall tenon

FEATURES

- 2200K, 2700K, 3000K, 4000K or 5000K Color Temperatures
- Preprogrammed Wattages available in 35W, 45W and 55W
- 20kA / 40kV Extreme Surge Suppressor
- 7-Pin Receptacle Ready for use with Wireless Control Systems (optional)
- Powered by the Lumecon L-RETRO-DG Light Engine
- Enhanced Thermal Dissipation System provides maximum thermal dissipation
- All LEDs are rated for a minimum of 100,000 hours of continuous operation at ambient temperatures from -40°F/-40°C to 115°F/46°C
- Acrylic and Polycarbonate Globe materials available
- 120-277V or 347-480V Input Voltage
- Slip fits over 2 7/8" and 3" OD tenons on most decorative poles. Requires nominal 3" diameter x 2 7/8" tall tenon
- Cast aluminum fitter housing with textured or 60% gloss polyester powder coat finishes for maximum durability
- DLC® qualified lite engine and ETL Listed to UL 1598 / 8750 and CSA 22.2 No. 250 for Wet Locations and BABA / BAA compliant
- 10-Year L70 performance-based warranty



Fitters



L-RETRO-DG LIGHT ENGINE



PERFORMANCE DATA

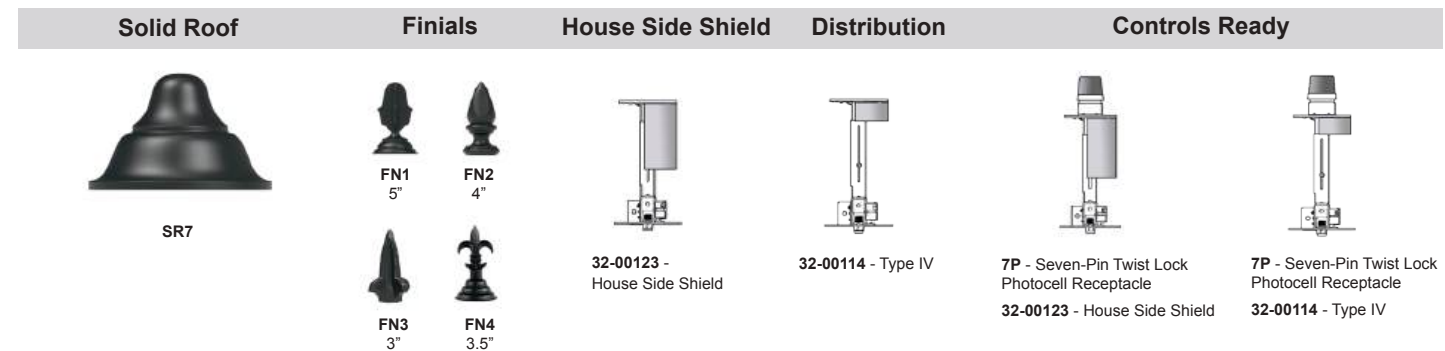
DISTRIBUTION	WATTAGE	2200K		2700K		3000K		4000K		5000K	
		LUMENS	EFFICACY	LUMENS	EFFICACY	LUMENS	EFFICACY	LUMENS	EFFICACY	LUMENS	EFFICACY
Type 5	35	3,500	100	4,480	128	4,480	128	4,585	131	4,550	130
Type 5	45	4,365	97	5,580	124	5,580	124	5,895	131	5,670	126
Type 5	55	5,170	94	6,655	121	6,655	121	6,765	123	6,655	121

ORDERING INFORMATION

Lumecon Midtown Post -Top Series
Ordering Example: LM-GRT-35-1-22-CA-BH2-BK-SR7-FN1-32-00123-PC-7P

REQUIRED							OPTIONAL					
MODEL	WATTAGE	VOLTAGE	CCT	GLOBE	FITTER ¹	FINISH	SOLID ROOF	FINIAL	HOUSE SIDE SHIELD	PHOTOCELL	CONTROLS READY	DISTRIBUTION
LM-GRT	35 - 35 Watts	1 - 120-277V	22 - 2200K	CA - Clear Acrylic	X - None	BK - Black Gloss	SR7	FN1 ¹	32-00123 - House Side Shield	PC - Button Ey	7P - 7 Pin Receptacle	32-00114 - Type IV
	45 - 45 Watts	2 - 347-480V	27 - 2700K	WA - White Acrylic	BH0 ²	BT - Black Textured		FN2				
	55 - 55 Watts		30 - 3000K	CP - Clear Polycarbonate	BH1	DB - Dark Bronze		FN3 ³				
			40 - 4000K		BH2	GN - Green		FN4				
			50 - 5000K		BH8	Premium Finishes						
					BH13 ³	WH - White Gloss						
					BHU ²	CF - Custom Finish						

Notes:
1. Cage and Fitter welded together requiring both to be selected
2. BH0, BH13, and BHU not compatible with Cages
3. FN1 and FN3 are Acrylic and only available in black





Shown with:
CA - Clear Acrylic Globe
BHU - Fitter
BK - Black Gloss

Requires nominal 3" diameter x 2 7/8" tall tenon

FEATURES

- 2200K, 2700K, 3000K, 4000K or 5000K Color Temperatures
- Preprogrammed Wattages available in 35W, 45W and 55W
- 20kA / 40kV Extreme Surge Suppressor
- 7-Pin Receptacle Ready for use with Wireless Control Systems (optional)
- Powered by the Lumecon L-RETRO-DG Light Engine
- Enhanced Thermal Dissipation System provides maximum thermal dissipation
- All LEDs are rated for a minimum of 100,000 hours of continuous operation at ambient temperatures from -40°F/-40°C to 115°F/46°C
- Acrylic and Polycarbonate Globe materials available
- 120-277V or 347-480V Input Voltage
- Slip fits over 2 7/8" and 3" OD tenons on most decorative poles. Requires nominal 3" diameter x 2 7/8" tall tenon
- Cast aluminum fitter housing with textured or 60% gloss polyester powder coat finishes for maximum durability
- DLC® qualified lite engine and ETL Listed to UL 1598 / 8750 and CSA 22.2 No. 250 for Wet Locations and BABA / BAA compliant
- 10-Year L70 performance-based warranty



Fitters



BH0 10.25" BH1 10" BH2 6.75" BH8 12" BH13 13.4" BHU 15.69"

PERFORMANCE DATA

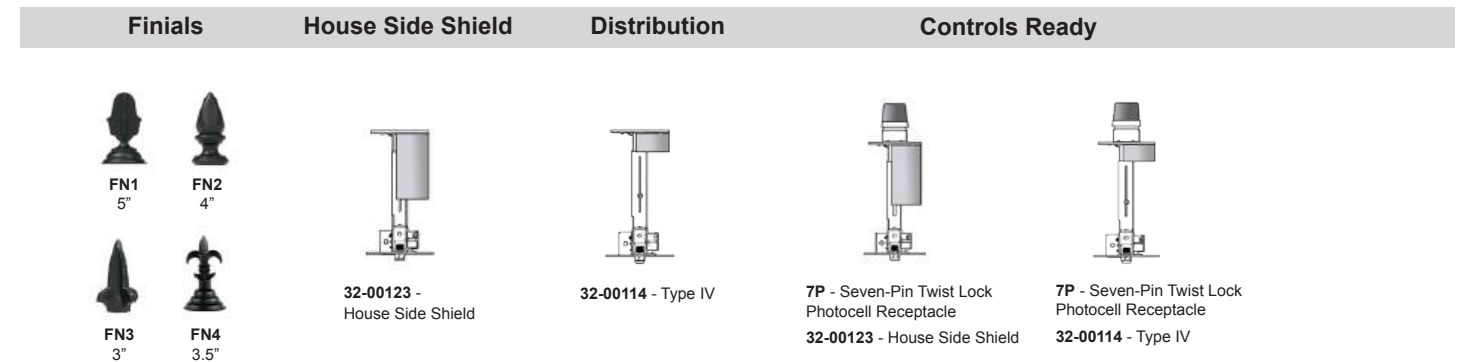
DISTRIBUTION	WATTAGE	2200K		2700K		3000K		4000K		5000K	
		LUMENS	EFFICACY	LUMENS	EFFICACY	LUMENS	EFFICACY	LUMENS	EFFICACY	LUMENS	EFFICACY
Type 5	35	3,500	100	4,480	128	4,480	128	4,585	131	4,550	130
Type 5	45	4,365	97	5,580	124	5,580	124	5,895	131	5,670	126
Type 5	55	5,170	94	6,655	121	6,655	121	6,765	123	6,655	121

ORDERING INFORMATION

Lumecon Midtown Post-Top Series
Ordering Example: LM-HAM-35-1-22-CA-BH2-BK-FN1-32-00123-PC-7P

REQUIRED							OPTIONAL				
MODEL	WATTAGE	VOLTAGE	CCT	GLOBE	FITTER ¹	FINISH	FINIAL	HOUSE SIDE SHIELD	PHOTOCELL	CONTROLS READY	DISTRIBUTION
LM-HAM	35 - 35 Watts	1 - 120-277V	22 - 2200K	CA - Clear Acrylic	X - None	BK - Black Gloss	FN1 ³	32-00123 - House Side Shield	PC - Button Eye	7P - 7 Pin Receptacle	32-00114 - Type IV
	45 - 45 Watts	2 - 347-480V	27 - 2700K	WA - White Acrylic	BH0 ²	BT - Black Textured	FN2				
	55 - 55 Watts	30 - 3000K	CP - Clear Polycarbonate	BH1	DB - Dark Bronze	FN3 ³					
		40 - 4000K	BH2	GN - Green	FN4						
		50 - 5000K	BH8	Premium Finishes							
				BH13 ²	WH - White Gloss						
				BHU ²	CF - Custom Finish						

Notes:
1. Cage and Fitter welded together requiring both to be selected
2. BH0, BH13, and BHU not compatible with Cages
3. FN1 and FN3 are Acrylic and only available in black



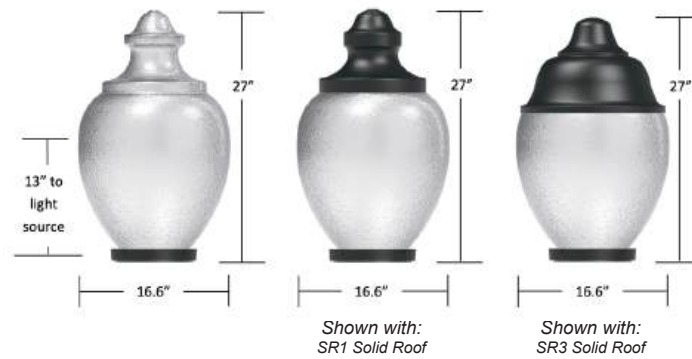


Shown with:
CA - Clear Acrylic Globe
BH1 - Fitter
BT - Black Textured

Requires nominal 3" diameter x 2 7/8" tall tenon

FEATURES

- 2200K, 2700K, 3000K, 4000K or 5000K Color Temperatures
- Preprogrammed Wattages available in 35W, 45W and 55W
- 20kA / 40kV Extreme Surge Suppressor
- 7-Pin Receptacle Ready for use with Wireless Control Systems (optional)
- Powered by the Lumecon L-RETRO-DG Light Engine
- Enhanced Thermal Dissipation System provides maximum thermal dissipation
- All LEDs are rated for a minimum of 100,000 hours of continuous operation at ambient temperatures from -40°F/-40°C to 115°F/46°C
- Acrylic and Polycarbonate Globe materials available
- 120-277V or 347-480V Input Voltage
- Slip fits over 2 7/8" and 3" OD tenons on most decorative poles. Requires nominal 3" diameter x 2 7/8" tall tenon
- Cast aluminum fitter housing with textured or 60% gloss polyester powder coat finishes for maximum durability
- DLC® qualified lite engine and ETL Listed to UL 1598 / 8750 and CSA 22.2 No. 250 for Wet Locations and BABA / BAA compliant
- 10-Year L70 performance-based warranty



Fitters



BH0
10.25"

BH1
10"

BH2
6.75"

BH8
12"

BH13
13.4"

BHU
15.69"



Email: sales@lumecon.com Website: www.lumecon.com Phone: 248-477-5009 • Copyright © 2026 Lumecon LLC. All Rights Reserved.



L-RETRO-DG LIGHT ENGINE

PERFORMANCE DATA

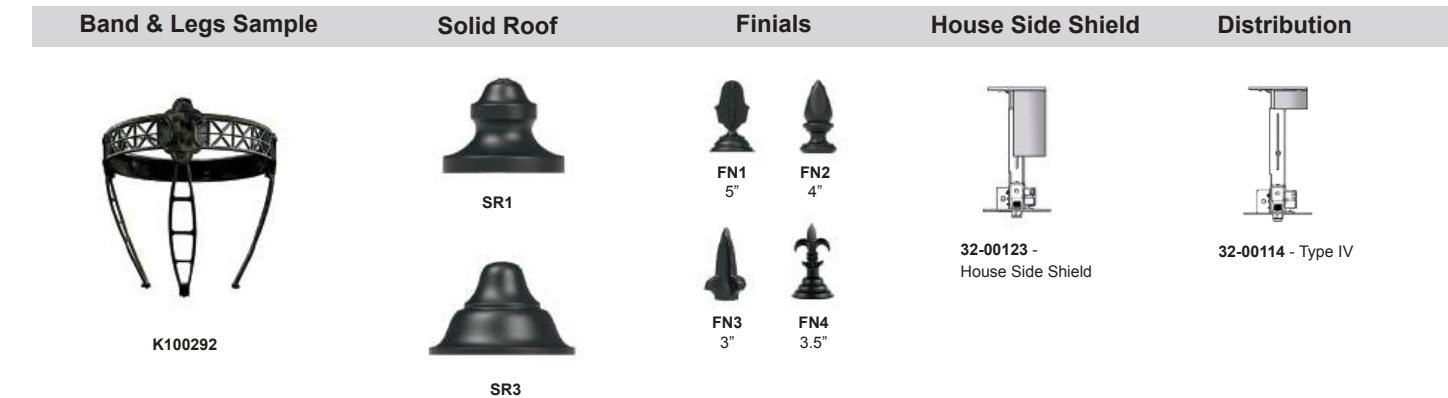
DISTRIBUTION	WATTAGE	2200K		2700K		3000K		4000K		5000K	
		LUMENS	EFFICACY	LUMENS	EFFICACY	LUMENS	EFFICACY	LUMENS	EFFICACY	LUMENS	EFFICACY
Type 5	35	3,500	100	4,480	128	4,480	128	4,585	131	4,550	130
Type 5	45	4,365	97	5,580	124	5,580	124	5,895	131	5,670	126
Type 5	55	5,170	94	6,655	121	6,655	121	6,765	123	6,655	121

ORDERING INFORMATION

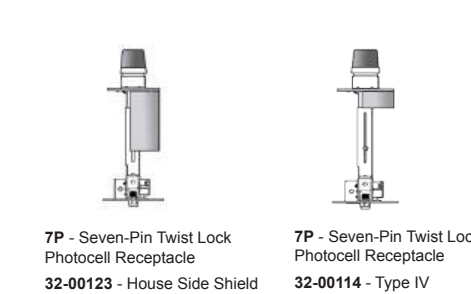
Lumecon Midtown Post-Top Series
Ordering Example LM-LPL-35-1-22-CA-BH2-BK-K100292-SR1-FN1-32-00123-PC-7P

REQUIRED							OPTIONAL						
MODEL	WATTAGE	VOLTAGE	CCT	GLOBE	FITTER*	FINISH	BAND AND LEGS	SOLID ROOF	FINIAL	HOUSE SIDE SHIELD	PHOTOCELL	CONTROLS READY	DISTRIBUTION
LM-LPL	35 - 35 Watts	1 - 120-277V	22 - 2200K	CA - Clear Acrylic	X - None	BK - Black Gloss	K100292	SR1	FN1 ³	32-00123 - House Side Shield	PC - Button Eye	7P - 7 Pin Receptacle	32-00114 - Type IV
	45 - 45 Watts	2 - 347-480V	27 - 2700K	WA - White Acrylic	BH0 ²	BT - Black Textured		SR3	FN2				
	55 - 55 Watts		30 - 3000K	CP - Clear Polycarbonate	BH1	DB - Dark Bronze			FN3 ³				
			40 - 4000K		BH2	GN - Green			FN4				
			50 - 5000K		BH8	Premium Finishes							
					BH13 ²	WH - White Gloss							
					BHU ²	CF - Custom Finish							

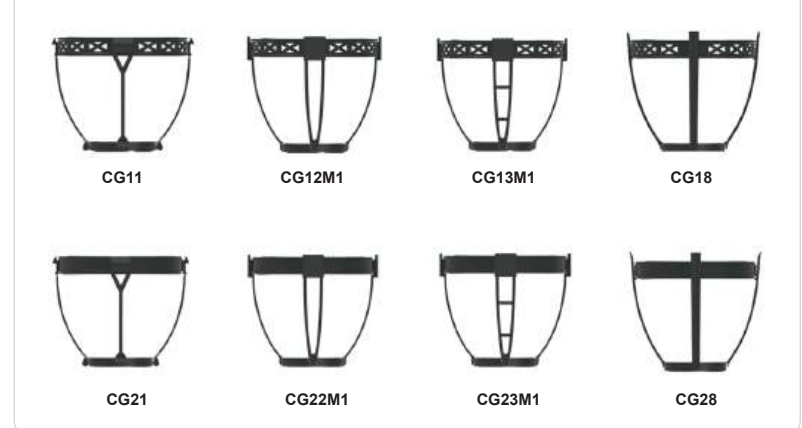
Notes:
1. Cage and Fitter welded together requiring both to be selected
2. BH0, BH13, and BHU not compatible with Cages
3. FN1 and FN3 are Acrylic and only available in black



Controls Ready



Cage Option Samples



Email: sales@lumecon.com Website: www.lumecon.com Phone: 248-477-5009 • Copyright © 2026 Lumecon LLC. All Rights Reserved.

Note: Specifications and photometric data are subject to change at any time without notice. Please see www.lumecon.com for current specifications and documentation.



Shown with:
CA - Clear Acrylic Globe
BH2 - Fitter
BK - Black Gloss Finish

Requires nominal 3" diameter x 2 7/8" tall tenon

FEATURES

- 2200K, 2700K, 3000K, 4000K or 5000K Color Temperatures
- Preprogrammed Wattages available in 35W, 45W and 55W
- 20kA / 40kV Extreme Surge Suppressor
- 7-Pin Receptacle Ready for use with Wireless Control Systems (optional)
- Powered by the Lumecon L-RETRO-DG Light Engine
- Enhanced Thermal Dissipation System provides maximum thermal dissipation
- All LEDs are rated for a minimum of 100,000 hours of continuous operation at ambient temperatures from -40°F/-40°C to 115°F/46°C
- Acrylic and Polycarbonate Globe materials available
- 120-277V or 347-480V Input Voltage
- Slip fits over 2 7/8" and 3" OD tenons on most decorative poles. Requires nominal 3" diameter x 2 7/8" tall tenon
- Cast aluminum fitter housing with textured or 60% gloss polyester powder coat finishes for maximum durability
- DLC® qualified lite engine and ETL Listed to UL 1598 / 8750 and CSA 22.2 No. 250 for Wet Locations and BABA / BAA compliant
- 10-Year L70 performance-based warranty



Fitters



BH0 10.25" BH1 10" BH2 6.75" BH8 12" BH13 13.4" BHU 15.69"

PERFORMANCE DATA

DISTRIBUTION	WATTAGE	2200K		2700K		3000K		4000K		5000K	
		LUMENS	EFFICACY	LUMENS	EFFICACY	LUMENS	EFFICACY	LUMENS	EFFICACY	LUMENS	EFFICACY
Type 5	35	3,500	100	4,480	128	4,480	128	4,585	131	4,550	130
Type 5	45	4,365	97	5,580	124	5,580	124	5,895	131	5,670	126
Type 5	55	5,170	94	6,655	121	6,655	121	6,765	123	6,655	121

ORDERING INFORMATION

Lumecon Midtown Post -Top Series
Ordering Example: LM-LPM-35-1-22-CA-BH2-BK-K100292-SR7-FN1-32-00123-PC-7P

REQUIRED							OPTIONAL						
MODEL	WATTAGE	VOLTAGE	CCT	GLOBE	FITTER ¹	FINISH	BAND AND LEGS	SOLID ROOF	FINIAL	HOUSE SIDE SHIELD	PHOTOCELL	CONTROLS READY	DISTRIBUTION
LM-LPM	35 - 35 Watts	1 - 120-277V	22 - 2200K	CA - Clear Acrylic	X - None	BK - Black Gloss	K100292	SR7	FN1 ³	32-00123 - House Side Shield	PC - Button Eye	7P - 7 Pin Receptacle	32-00114 - Type IV
	45 - 45 Watts	2 - 347-480V	27 - 2700K	WA - White Acrylic	BH0 ²	BT - Black Textured			FN2				
	55 - 55 Watts	30 - 3000K	CP - Clear Polycarbonate	BH1	DB - Dark Bronze	FN3 ³							
		40 - 4000K	BH2	GN - Green	FN4								
		50 - 5000K		BH8	Premium Finishes								
					BH13 ³	WH - White Gloss							
					BHU ²	CF - Custom Finish							

Notes:
1. Cage and Fitter welded together requiring both to be selected
2. BH0, BH13, and BHU not compatible with Cages
3. FN1 and FN3 are Acrylic and only available in black

Band & Legs Sample	Solid Roof	Finials	House Side Shield	Distribution
Controls Ready				
		Cage Option Sample		



L-RETRO-DG LIGHT ENGINE





Shown with:
BH2 Fitter
AM- Acrylic Bottom w/ Spun Aluminum Top

Requires nominal 3" diameter x 2 7/8" tall tenon

FEATURES

- 2200K, 2700K, 3000K, 4000K or 5000K Color Temperatures
- Preprogrammed Wattages available in 35W, 45W and 55W
- 20kA / 40kV Extreme Surge Suppressor
- 7-Pin Receptacle Ready for use with Wireless Control Systems (optional)
- Powered by the Lumecon L-RETRO-DG Light Engine
- Enhanced Thermal Dissipation System provides maximum thermal dissipation
- All LEDs are rated for a minimum of 100,000 hours of continuous operation at ambient temperatures from -40°F/-40°C to 115°F/46°C
- 120-277V or 347-480V Input Voltage
- Slip fits over 2 7/8" and 3" OD tenons on most decorative poles. Requires nominal 3" diameter x 2 7/8" tall tenon
- 20 Year Non-Yellowing Globe Warranty
- Cast aluminum fitter housing with textured or 60% gloss polyester powder coat finishes for maximum durability
- DLC® qualified lite engine and ETL Listed to UL 1598 / 8750 and CSA 22.2 No. 250 for Wet Locations and BABA / BAA compliant
- 10-Year L70 performance-based warranty



Fitters



BH0 10.25" BH1 10" BH2 6.75" BH8 12" BH13 13.4" BHU 15.69"

PERFORMANCE DATA

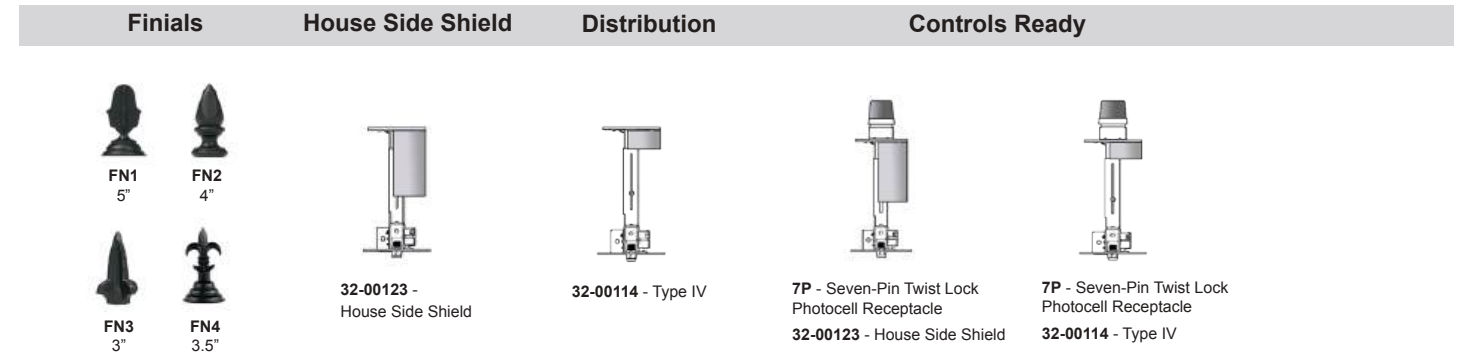
DISTRIBUTION	WATTAGE	2200K		2700K		3000K		4000K		5000K	
		LUMENS	EFFICACY	LUMENS	EFFICACY	LUMENS	EFFICACY	LUMENS	EFFICACY	LUMENS	EFFICACY
Type 5	35	3,500	100	4,480	128	4,480	128	4,585	131	4,550	130
Type 5	45	4,365	97	5,580	124	5,580	124	5,895	131	5,670	126
Type 5	55	5,170	94	6,655	121	6,655	121	6,765	123	6,655	121

ORDERING INFORMATION

Lumecon Midtown Post-Top Series
Ordering Example: LM-LWW-35-1-22-AC-BH2-BK-FN1-32-00123-PC-7P

REQUIRED							OPTIONAL					
MODEL	WATTAGE	VOLTAGE	CCT	GLOBE	FITTER ¹	FINISH	FINAL	TOP GLOBE COLOR	HOUSE SIDE SHIELD	PHOTOCELL	CONTROLS READY	DISTRIBUTION
LM-LWW	35 - 35 Watts	1 - 120-277V	22 - 2200K	AC - Acrylic Prismatic Injection Molded - Clear	X - None	BK - Black Gloss	FN1 ¹	CL - Clear	32-00123 - House Side Shield	PC - Button Eye	7P - 7 Pin Receptacle - N/A with Aluminum Top	32-00114 - Type IV
	45 - 45 Watts	2 - 347-480V	27 - 2700K	AM - Acrylic Bottom w/ Spun Aluminum Top	BH0 ²	BT - Black Textured	FN2	B - Black	32-00123 - House Side Shield	TL - Twist Lock for use with BHU Fitter Only	7P - 7 Pin Receptacle - N/A with Aluminum Top	32-00114 - Type IV
	55 - 55 Watts	30 - 3000K	40 - 4000K		BH2	DB - Dark Bronze	FN3 ¹	BA - Black Spun Aluminum Top				
		40 - 4000K	50 - 5000K		BH8	GN - Green	FN4	CC - Custom Color				
						Premium Finishes						
						BH13 ²	WH - White Gloss					
						BHU ²	CF - Custom Finish					

Notes:
1. FN1 and FN3 are Acrylic and only available in black



L-RETRO-DG LIGHT ENGINE

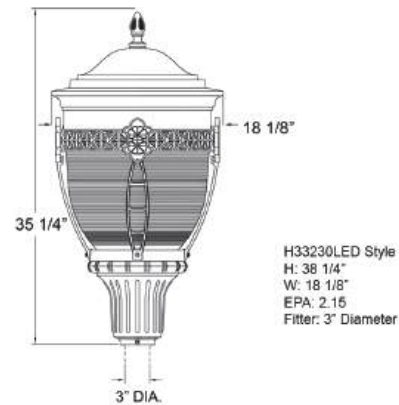




Shown with:
 BH0 Fitter
 H33230LED Style
 Real Spun Copper Top
 Aluminum Available
 Fitter, Arms, and Banding are
 Verde Copper Color
 PI - Prismatic Injection Molded

FEATURES

- 2200K, 2700K, 3000K, 4000K or 5000K Color Temperatures
- 20kA / 40kV Extreme Surge Suppressor
- 7-Pin Receptacle Ready for use with Wireless Control Systems (optional)
- Powered by the Lumecon L-RETRO-DG Light Engine
- Enhanced Thermal Dissipation System provides maximum thermal dissipation
- All LEDs are rated for a minimum of 100,000 hours of continuous operation at ambient temperatures from -40°F/-40°C to 115°F/46°C
- Acrylic and Polycarbonate Globe materials available
- 120-277V or 347-480V Input Voltage
- Slip fits over 2 7/8" and 3" OD tenons on most decorative poles. Requires nominal 3" diameter x 2 7/8" tall tenon
- Cast aluminum fitter housing with textured or 60% gloss polyester powder coat finishes for maximum durability
- 20-Year globe warranty
- 10-Year L70 performance-based warranty



PERFORMANCE DATA

Model	Distribution Type	Watts	2200K		2700K		3000K		4000K		5000K	
			Lumens	Efficacy	Lumens	Efficacy	Lumens	Efficacy	Lumens	Efficacy	Lumens	Efficacy
LM-NH	Type 2	25W	2,500	100	3,100	124	3,125	125	3,500	140	3,500	140
	Type 3	25W	2,575	103	3,175	127	3,225	129	3,600	144	3,600	144
	Type 4	25W	2,450	98	3,050	122	3,075	123	3,425	137	3,450	137
	Type 5	25W	2,475	99	3,050	122	3,075	123	3,450	138	3,450	138
LM-NH	Type 2	40W	4,120	103	5,087	127	5,150	129	5,712	143	5,712	143
	Type 3	40W	4,142	104	5,114	128	5,177	129	5,743	144	5,743	144
	Type 4	40W	4,109	103	5,073	127	5,135	128	5,696	142	5,696	142
	Type 5	40W	4,110	103	5,074	127	5,137	128	5,697	142	5,697	142
LM-NH	Type 2	60W	6,084	101	7,511	125	7,604	127	8,448	141	8,448	141
	Type 3	60W	6,117	102	7,552	126	7,646	127	8,494	142	8,494	142
	Type 4	60W	6,066	101	7,489	125	7,583	126	8,424	140	8,424	140
	Type 5	60W	6,068	101	7,491	125	7,585	126	8,426	140	8,426	140
LM-NH	Type 2	80W	7,982	100	9,854	123	9,979	125	11,104	139	11,104	139
	Type 3	80W	8,026	100	9,909	124	10,035	125	11,166	140	11,166	140
	Type 4	80W	7,958	99	9,825	123	9,950	124	11,072	138	11,072	138
	Type 5	80W	7,961	100	9,828	123	9,953	124	11,075	138	11,075	138

ORDERING INFORMATION

Lumecon Midtown Post-Top Series
 Ordering Example: LM-NH-H33200LED-40-1-40-T3-BH0-BLK-BL-FAWS

MODEL	STYLE	WATTAGE	VOLTAGE	CCT	DISTRIBUTION	FITTER	FINISH	OPTIONAL		
								PHOTOCELL	HOUSE SIDE SHIELD	DIMMING CONTROLS
LM-NH	H33200LED	25 - 25 Watts	1 - 120 - 277V	22 - 2200K	T2 - Type II	BH0	See Samples Below	PC - Button Eye	BL - Back Light Louvers	FAWS - Field Adjustable Wattage Selector
	H33230LED	40 - 40 Watts	2 - 347 - 480V	27 - 2700K	T3 - Type III					
		60 - 60 Watts		30 - 3000K	T4 - Type IV					
		80 - 80 Watts		40 - 4000K	T5 - Type V					
				50 - 5000K						

Available Finishes

Standard



Premium



Email: sales@lumecon.com Website: www.lumecon.com Phone: 248-477-5009 • Copyright © 2026 Lumecon LLC. All Rights Reserved.



Email: sales@lumecon.com Website: www.lumecon.com Phone: 248-477-5009 • Copyright © 2026 Lumecon LLC. All Rights Reserved.
 Note: Specifications and photometric data are subject to change at any time without notice. Please see www.lumecon.com for current specifications and documentation.

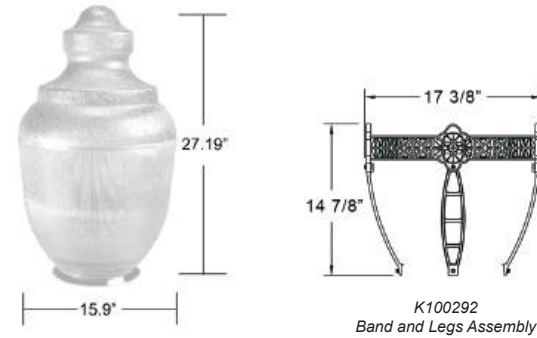


Shown with:
CA - Clear Acrylic Globe
BHU - Fitter
BT - Black Textured

Requires nominal 3" diameter x 2 7/8" tall tenon

FEATURES

- 2200K, 2700K, 3000K, 4000K or 5000K Color Temperatures
- Preprogrammed Wattages available in 35W, 45W and 55W
- 20kA / 40kV Extreme Surge Suppressor
- 7-Pin Receptacle Ready for use with Wireless Control Systems (optional)
- Powered by the Lumecon L-RETRO-DG Light Engine
- Enhanced Thermal Dissipation System provides maximum thermal dissipation
- All LEDs are rated for a minimum of 100,000 hours of continuous operation at ambient temperatures from -40°F/-40°C to 115°F/46°C
- 120-277V or 347-480V Input Voltage
- Slip fits over 2 7/8" and 3" OD tenons on most decorative poles. Requires nominal 3" diameter x 2 7/8" tall tenon
- Cast aluminum fitter housing with textured or 60% gloss polyester powder coat finishes for maximum durability
- DLC® qualified lite engine and ETL Listed to UL 1598 / 8750 and CSA 22.2 No. 250 for Wet Locations and BABA / BAA compliant
- 10-Year L70 performance-based warranty



Fitters



BH0 10.25" BH1 10" BH2 6.75" BH8 12" BH13 13.4" BHU 15.69"

PERFORMANCE DATA

DISTRIBUTION	WATTAGE	2200K		2700K		3000K		4000K		5000K	
		LUMENS	EFFICACY	LUMENS	EFFICACY	LUMENS	EFFICACY	LUMENS	EFFICACY	LUMENS	EFFICACY
Type 5	35	3,500	100	4,480	128	4,480	128	4,585	131	4,550	130
Type 5	45	4,365	97	5,580	124	5,580	124	5,895	131	5,670	126
Type 5	55	5,170	94	6,655	121	6,655	121	6,765	123	6,655	121

ORDERING INFORMATION

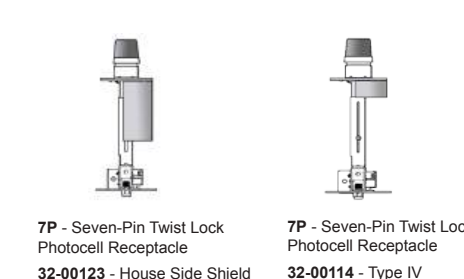
Lumecon Midtown Post-Top Series
Ordering Example: LM-RYO-35-1-22-CA-BH2-BK-K100292-SR1-FN1-32-00123-PC-7P

REQUIRED							OPTIONAL						
MODEL	WATTAGE	VOLTAGE	CCT	GLOBE	FITTER ¹	FINISH	BAND AND LEGS	SOLID ROOF	FINIAL	HOUSE SIDE SHIELD	PHOTOCELL	CONTROLS READY	DISTRIBUTION
LM-RYO	35 - 35 Watts	1 - 120-277V	22 - 2200K	CA - Clear Acrylic	X - None	BK - Black Gloss	K100292	SR1	FN1 ³	32-00123 - House Side Shield	PC - Button Eye	7P - 7 Pin Receptacle	32-00114 - Type IV
	45 - 45 Watts	2 - 347-480V	27 - 2700K	WA - White Acrylic	BH0 ²	BT - Black Textured	CAGES ¹ See below		FN2				
	55 - 55 Watts		30 - 3000K		BH1	DB - Dark Bronze			FN3 ³				
			40 - 4000K		BH2	GN - Green			FN4				
			50 - 5000K		BH8	Premium Finishes							
					BH13 ²	WH - White Gloss							
					BHU ²	CF - Custom Finish							

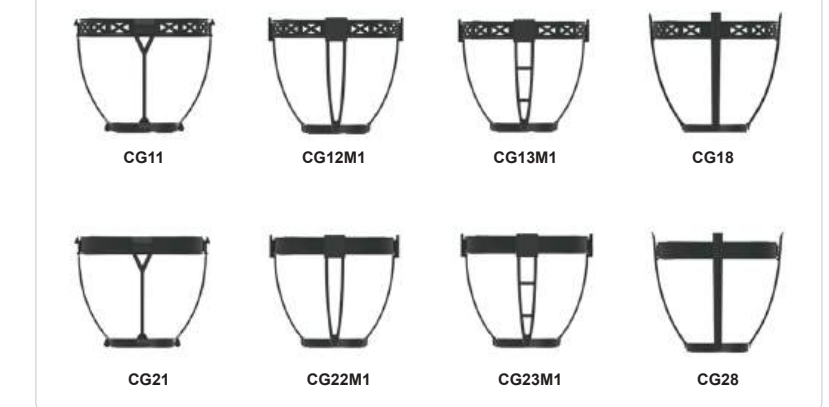
Notes:
1. Cage and Fitter welded together requiring both to be selected
2. BH0, BH13, and BHU not compatible with Cages
3. FN1 and FN3 are Acrylic and only available in black



Controls Ready



Cage Option Samples



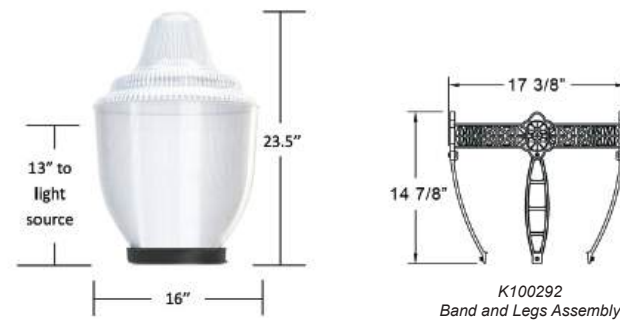


Shown with:
BHU Fitter
AM - Acrylic Bottom w/ Spun Aluminum Top
BT - Black Textured

Requires nominal 3" diameter x 2 7/8" tall tenon

FEATURES

- 2200K, 2700K, 3000K, 4000K or 5000K Color Temperatures
- Preprogrammed Wattages available in 35W, 45W and 55W
- 20kA / 40kV Extreme Surge Suppressor
- 7-Pin Receptacle Ready for use with Wireless Control Systems (optional)
- Powered by the Lumecon L-RETRO-DG Light Engine
- Enhanced Thermal Dissipation System provides maximum thermal dissipation
- All LEDs are rated for a minimum of 100,000 hours of continuous operation at ambient temperatures from -40°F/-40°C to 115°F/46°C
- 120-277V or 347-480V Input Voltage
- Slip fits over 2 7/8" and 3" OD tenons on most decorative poles. Requires nominal 3" diameter x 2 7/8" tall tenon
- 20 Year Non-Yellowing Globe Warranty
- Cast aluminum fitter housing with textured or 60% gloss polyester powder coat finishes for maximum durability
- DLC® qualified lite engine and ETL Listed to UL 1598 / 8750 and CSA 22.2 No. 250 for Wet Locations and BABA / BAA compliant
- 10-Year L70 performance-based warranty



Fitters



L-RETRO-DG LIGHT ENGINE



PERFORMANCE DATA

DISTRIBUTION	WATTAGE	2200K		2700K		3000K		4000K		5000K	
		LUMENS	EFFICACY	LUMENS	EFFICACY	LUMENS	EFFICACY	LUMENS	EFFICACY	LUMENS	EFFICACY
Type 5	35	3,500	100	4,480	128	4,480	128	4,585	131	4,550	130
Type 5	45	4,365	97	5,580	124	5,580	124	5,895	131	5,670	126
Type 5	55	5,170	94	6,655	121	6,655	121	6,765	123	6,655	121

ORDERING INFORMATION

Lumecon Midtown Post-Top Series
Ordering Number: LM-WW-35-1-22-AC-BH2-BK-FN1-CL-32-00123-PC-7P

REQUIRED							OPTIONAL						
MODEL	WATTAGE	VOLTAGE	CCT	GLOBE	FITTER ¹	FINISH	BAND & LEGS	FINIAL	TOP GLOBE COLOR	HOUSE SIDE SHIELD	PHOTOCELL	CONTROLS READY	DISTRIBUTION
LM-WW	35 - 35 Watts	1 - 120-277V	22 - 2200K	AC - Acrylic Prismatic Injection Molded - Clear	X - None	BK - Black Gloss	K100292	FN1 ³	CL - Clear	32-00123 - House Side Shield	PC - Button Eye	7P - 7 Pin Receptacle - N/A with Aluminum Top	32-00114 - Type IV
	45 - 45 Watts	2 - 347-480V	27 - 2700K	AM - Acrylic Bottom w/ Spun Aluminum Top	BH0 ²	BT - Black Textured		FN2	B - Black		TL - Twist Lock for use with BHU Fitter Only		
	55 - 55 Watts		30 - 3000K		BH1	DB - Dark Bronze		FN3 ³	BA - Black Spun Aluminum Top				
			40 - 4000K		BH2	GN - Green		FN4	CC - Custom Color				
			50 - 5000K		BH8	Premium Finishes							
					BH13 ²	WH - White Gloss							
					BHU ²	CF - Custom Finish							

Notes:
1. Cage and Fitter welded together requiring both to be selected
2. BH0, BH13, and BHU not compatible with Cages
3. FN1 and FN3 are Acrylic and only available in black

Band & Legs Sample	Finials	House Side Shield	Distribution	Controls Ready
	 FN1 5" FN2 4" FN3 3" FN4 3.5"			 7P - Seven-Pin Twist Lock Photocell Receptacle

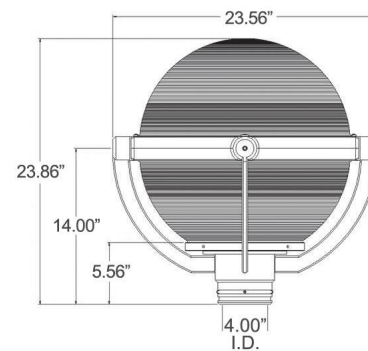
Cage Option Samples





FEATURES

- 2200K, 2700K, 3000K, 4000K or 5000K Color Temperatures
- 20kA / 40kV Extreme Surge Suppressor
- 7-Pin Receptacle Ready for use with Wireless Control Systems (optional)
- Powered by the Lumecon LROF Light Engine
- Enhanced Thermal Dissipation System provides maximum thermal dissipation
- All LEDs are rated for a minimum of 100,000 hours of continuous operation at ambient temperatures from -40°F/-40°C to 115°F/46°C
- 120-277V or 347-480V Input Voltage
- Two-piece prismatic acrylic globe construction to obscure points of light
- 20 Year Non-Yellowing Globe Warranty
- Slip fits over 4" OD tenons on most decorative poles
- Cast aluminum fitter housing with textured or 60% gloss polyester powder coat finishes for maximum durability
- 10-Year L70 performance-based warranty



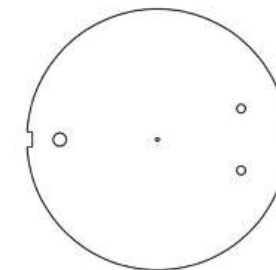
PERFORMANCE DATA

Model	Watts	Equiv	Delivered Lumens	Efficacy
L35W-1 (Type V)	54W	100W HID	3,876 Lm	72 LPW
L35W-2 (Type V)	84W	175W HID	5,953 Lm	72 LPW
L35W-3 (Type V)	118W	250W HID	8,426 Lm	72 LPW

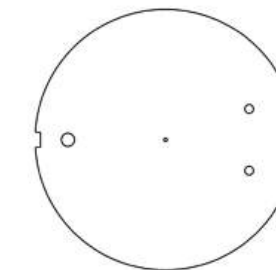
ORDERING INFORMATION

Lumecon Midtown Post-Top Series
 Ordering Example: L35W-1-1-40-BK-PC-D

REQUIRED					OPTIONAL			
MODEL	WATTAGE / DISTRIBUTION	VOLTAGE	CCT	FINISH	PHOTOCELL	LITELID	POLE ADAPTER	CONTROLS READY
L35W	1 - 54 Watts / Type V	1 - 120-277V	22 - 2200K	BK - Black	PC - Button Eye Style PhotoCell	C - Cutoff Reflective - A thin, MIRO(r) reflective-full cut off LiteLid that is strong, ultra-lightweight.	27-00235 - 3'	7P - 7 Pin Receptacle
	2 - 84 Watts / Type V	2 - 347-480V	27 - 2700K	CC - Custom Color				
	3 - 117 Watts / Type V		30 - 3000K					
			40 - 4000K					
			50 - 5000K					
						D - Diffuser Cutoff - An acrylic/polycarbonate diffused LiteLid that's tough and lightweight, with outstanding optical properties diffusing 80% of up light.		



C - Cutoff Reflective LiteLid:
 A thin, MIRO(r) reflective-full cut off lite lid that is strong, ultra-lightweight.



D - Diffuser Cutoff LiteLid:
 An acrylic/polycarbonate diffused lite lid that's tough and lightweight, with outstanding optical properties diffusing 80% of up light.



27-00235: 3" Pole Adapter



Shown with:
 BHU - Fitter
 AC - Acrylic Prismatic Injection Molded - Clear
 BK - Black Gloss Finish

FEATURES

- 2200K, 2700K, 3000K, 4000K or 5000K Color Temperatures
- Preprogrammed Wattages available in 35W, 45W and 55W
- 20kA / 40kV Extreme Surge Suppressor
- 7-Pin Receptacle Ready for use with Wireless Control Systems (optional)
- Powered by the Lumecon L-RETRO-DG Light Engine
- Enhanced Thermal Dissipation System provides maximum thermal dissipation
- 120-277V or 347-480V Input Voltage
- Two-piece prismatic acrylic globe construction to obscure points of light
- 20 Year Non-Yellowing Globe Warranty
- Slip fits over 2 7/8" and 3" OD tenons on most decorative poles. Requires nominal 3" diameter x 2 7/8" tall tenon.
- Cast aluminum fitter housing with textured or 60% gloss polyester powder coat finishes for maximum durability
- DLC® qualified lite engine and ETL Listed to UL 1598 / 8750 and CSA 22.2 No. 250 for Wet Locations and BABA / BAA compliant
- 10-Year L70 performance-based warranty



Fitters



L-RETRO-DG LIGHT ENGINE



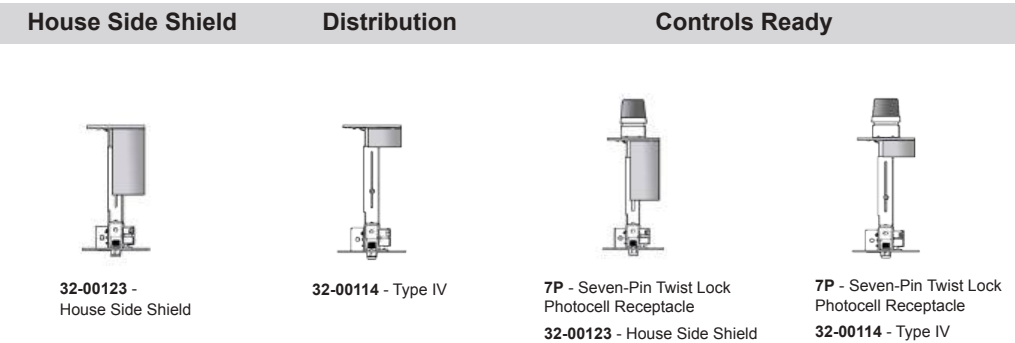
PERFORMANCE DATA

DISTRIBUTION	WATTAGE	2200K		2700K		3000K		4000K		5000K	
		LUMENS	EFFICACY	LUMENS	EFFICACY	LUMENS	EFFICACY	LUMENS	EFFICACY	LUMENS	EFFICACY
Type 5	35	3,500	100	4,480	128	4,480	128	4,585	131	4,550	130
Type 5	45	4,365	97	5,580	124	5,580	124	5,895	131	5,670	126
Type 5	55	5,170	94	6,655	121	6,655	121	6,765	123	6,655	121

ORDERING INFORMATION

Lumecon Midtown Post-Top Series
 Ordering Example: LM-CAN- 35 -1-22-AC-BH2-BK-3200123-PC-7P

REQUIRED							OPTIONAL			
MODEL	WATTAGE	VOLTAGE	CCT	GLOBE	FITTER	FINISH	HOUSE SIDE SHIELD	PHOTOCELL	CONTROLS READY	DISTRIBUTION
LM-CAN	35 - 35 Watts	1 - 120-277V	22 - 2200K	AC - Acrylic Prismatic Injection Molded - Clear	X - None	BK - Black Gloss	32-00123 - House Side Shield	PC - Button Eye	7P - 7 Pin Receptacle	32-00114 - Type IV
	45 - 45 Watts	2 - 347-480V	27 - 2700K		BH0	BT - Black Textured				
	55 - 55 Watts		30 - 3000K		BH2	DB - Dark Bronze				
			40 - 4000K		BH8	GN - Green				
			50 - 5000K		BH13	Premium Finishes				
					BHU	WH - White Gloss				
						CF - Custom Finish				

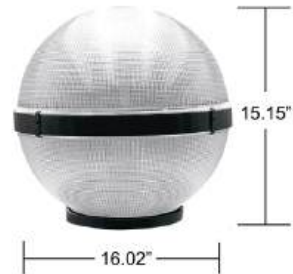




Shown with:
BH13 Fitter
AW - Acrylic Prismatic Injection - White
BK - Black Gloss Finish

FEATURES

- 3000K or 4000K Color Temperatures
- 20kA / 40kV Extreme Surge Suppressor
- 7-Pin Receptacle Ready for use with Wireless Control Systems (optional)
- Powered by the Lumecon LROF Light Engine
- Enhanced Thermal Dissipation System provides maximum thermal dissipation
- All LEDs are rated for a minimum of 100,000 hours of continuous operation at ambient temperatures from -40°F/-40°C to 115°F/46°C
- 120-277V or 347-480V Input Voltage
- Two-piece prismatic acrylic globe construction to obscure points of light
- 20 Year Non-Yellowing Globe Warranty
- Slip fits over 4" OD tenons on most decorative poles
- Cast aluminum fitter housing with textured or 60% gloss polyester powder coat finishes for maximum durability
- 10-Year L70 performance-based warranty



PERFORMANCE DATA

Model	Watts	Equiv	Delivered Lumens	Efficacy
LBOF-1 (Type V)	54W	100W HID	3,922 Lm	72 LPW
LBOF-2 (Type V)	84W	175W HID	5,739 Lm	68 LPW
LBOF-3 (Type V)	118W	250W HID	7,276 Lm	62 LPW

ORDERING INFORMATION

Lumecon Midtown Post-Top Series
Ordering Example: LBOF-1-2-40-AC-BH2-BK-NPLL-HSS-PC-7P

REQUIRED							OPTIONAL			
MODEL	WATTAGE	VOLTAGE	CCT	GLOBE	FITTER	FINISH	LITELID	HOUSE SIDE SHIELD	PHOTOCELL	CONTROLS READY
LBOF	1 - 54W / Type V	1 - 120-277V	30 - 3000K	AC - Acrylic Prismatic Injection - Clear	X - None	BK - Black Gloss	NPLL - Non-Perforated LiteLid	HSS - House side Shield	PC - Button Eye	7P - 7 Pin Receptacle
	2 - 84W / Type V	2 - 347-480V	40 - 4000K	AW - Acrylic Prismatic Injection - White	BH0	BT - Black Textured				
	3 - 118W / Type V				BH2	DB - Dark Bronze				
					BH8	GN - Green				
					BH13	Premium Finishes				
					BHU	WH - White Gloss				
						CF - Custom Finish				

Fitters



BH0
10.25"

BH1
10"

BH2
6.75"

BH8
12"

BH13
13.4"

BHU
15.69"



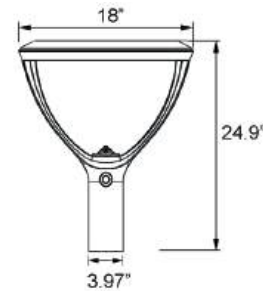


BLS-MID Double Arm Architectural Post-Top

FEATURES

- Capable of delivering 3000K, 4000K & 5000K Color Temperatures
- Available in Type III, IV and V
- Cast aluminum housing allows a thermally conductive connection to the LED panel and electrical chamber with corrosion-resistant powder coating.
- Dusk-to-dawn light control, easily switch on and off integrated Photocell for optimal management.
- 120-277V or 347-480V
- 0-10V Dimmable
- Estimated 100,000 Hour based on IES LM-80 results and TM-21 calculations.
- -40°C to 40°C (-40°F - + 104°F). Note: Operating with emergency battery temperature range: 10°C to 40°C (+50°F - + 104°F)
- cULus, suitable for Wet locations.
- 5 year warranty

For Lumen Packages see current product spec sheets



STRUCTURAL DESIGN



ORDERING INFORMATION

Baseline Midland Full Cutoff Post-Top
IN-STOCK: 130W, 120-277V, DARK BRONZE, POLE MOUNT, FROSTED DIFFUSER AND AVAILABLE OPTIONS OF M, PC, CC

REQUIRED									
MODEL	WATTAGE	VOLTAGE	CCT	FINISH	PHOTOCELL	SENSOR	CCT AND POWER ADJUSTABLE	MOUNTING	PHOTOMETRY
BLS-MID	130W ¹ 130	34V 120-347V 48V 277-480V	DDK Adjustable Color Temperature	D ¹ Dark Bronze CC - Custom Color	P With Photocell BLANK Without Photocell	M with Sensor BLANK Without Sensor	AD With Adjustment Dial	Blank ¹ Pole Mount	FD ¹ Frosted Diffuser PD Prismatic Diffuser AT T3/T4/T5 Adjustable

Notes:
1. In-Stock: 130W, 120-277V, Dark Bronze, Pole Mount, Frosted Diffuser, and available options of M, PC, CC. All other options are Special Order



Shown with:
H6730RLED Style
Black Finish
CA - Clear Acrylic

FEATURES

- 2200K, 2700K, 3000K, 4000K or 5000K Color Temperatures
- Preprogrammed Wattages available in 25W, 40W, and 60W
- 20kA / 40kV Extreme Surge Suppressor
- 7-Pin Receptacle Ready for use with Wireless Control Systems (optional)
- Powered by the Lumecon L-RETRO-T Light Engine
- Enhanced Thermal Dissipation System provides maximum thermal dissipation
- All LEDs are rated for a minimum of 100,000 hours of continuous operation at ambient temperatures from -40°F/-40°C to 115°F/46°C
- Acrylic and Polycarbonate Lens materials available
- 120-277V or 347-480V Input Voltage
- Slip fits over 2 7/8" and 3" OD tenons on most decorative poles. Requires nominal 3" diameter x 2 7/8" tall tenon
- Cast aluminum fitter housing with textured or 60% gloss polyester powder coat finishes for maximum durability
- DLC® qualified lite engine and ETL Listed to UL 1598 / 8750 and CSA 22.2 No. 250 for Wet Locations and BABA / BAA compliant
- 10-Year L70 performance-based warranty

PERFORMANCE DATA

Model	Distribution Type	Watts	2200K		2700K		3000K		4000K		5000K	
			Lumens	Efficacy	Lumens	Efficacy	Lumens	Efficacy	Lumens	Efficacy	Lumens	Efficacy
LM-ADM	Type 2	25W	2,500	100	3,100	124	3,125	125	3,500	140	3,500	140
	Type 3	25W	2,575	103	3,175	127	3,225	129	3,600	144	3,600	144
	Type 4	25W	2,450	98	3,050	122	3,075	123	3,425	137	3,450	137
	Type 5	25W	2,475	99	3,050	122	3,075	123	3,450	138	3,450	138
LM-ADM	Type 2	40W	4,120	103	5,087	127	5,150	129	5,712	143	5,712	143
	Type 3	40W	4,142	104	5,114	128	5,177	129	5,743	144	5,743	144
	Type 4	40W	4,109	103	5,073	127	5,135	128	5,696	142	5,696	142
	Type 5	40W	4,110	103	5,074	127	5,137	128	5,697	142	5,697	142
LM-ADM	Type 2	60W	6,084	101	7,511	125	7,604	127	8,448	141	8,448	141
	Type 3	60W	6,117	102	7,552	126	7,646	127	8,494	142	8,494	142
	Type 4	60W	6,066	101	7,489	125	7,583	126	8,424	140	8,424	140
	Type 5	60W	6,068	101	7,491	125	7,585	126	8,426	140	8,426	140

ORDERING INFORMATION

Lumecon Midtown Post-Top Series

Ordering Example: LM-ADM-H6730RLED-40-1-40-T2-WA-BLK-PC-BL

REQUIRED								OPTIONAL		
MODEL	STYLE	WATTAGE	VOLTAGE	CCT	DISTRIBUTION	LENS	FINISH	PHOTOCELL	HOUSE SIDE SHIELD	DIMMING CONTROLS
LM-ADM	H6730RLED	25 - 25 Watts	1 - 120v - 277v	22 - 2200K	T2 - Type II	CA - Clear Acrylic	See Samples Below	PC - Button Eye	BL - Back Light Louvers	FAWS - Field Adjustable Wattage Selector
	H6710RLED	40 - 40 Watts	2 - 347v - 480v	27 - 2700K	T3 - Type III	PA - Prismatic Acrylic				
		60 - 60 Watts		30 - 3000K	T4 - Type IV	WA - White Acrylic				
				40 - 4000K	T5 - Type V					
				50 - 5000K						

Product Style Samples



Available Finishes

Standard



Premium





Shown with:
H9837RLED Style
CA - Clear Acrylic Lens
BLK - Black Finish

FEATURES

- 2200K, 2700K, 3000K, 4000K or 5000K Color Temperatures
- Preprogrammed Wattages available in 25W, 40W, 60W and 80W
- 20kA / 40kV Extreme Surge Suppressor
- 7-Pin Receptacle Ready for use with Wireless Control Systems (optional)
- Powered by the Lumecon L-RETRO-T Light Engine
- Enhanced Thermal Dissipation System provides maximum thermal dissipation
- All LEDs are rated for a minimum of 100,000 hours of continuous operation at ambient temperatures from -40°F/-40°C to 115°F/46°C
- Acrylic and Polycarbonate Lens materials available
- 120-277V or 347-480V Input Voltage
- Slip fits over 2 7/8" and 3" OD tenons on most decorative poles. Requires nominal 3" diameter x 2 7/8" tall tenon
- Cast aluminum fitter housing with textured or 60% gloss polyester powder coat finishes for maximum durability
- DLC® qualified lite engine and ETL Listed to UL 1598 / 8750 and CSA 22.2 No. 250 for Wet Locations and BABA / BAA compliant
- 10-Year L70 performance-based warranty

PERFORMANCE DATA

Model	Distribution Type	Watts	2200K		2700K		3000K		4000K		5000K	
			Lumens	Efficacy	Lumens	Efficacy	Lumens	Efficacy	Lumens	Efficacy	Lumens	Efficacy
LM-ALX	Type 2	25W	2,500	100	3,100	124	3,125	125	3,500	140	3,500	140
	Type 3	25W	2,575	103	3,175	127	3,225	129	3,600	144	3,600	144
	Type 4	25W	2,450	98	3,050	122	3,075	123	3,425	137	3,450	137
	Type 5	25W	2,475	99	3,050	122	3,075	123	3,450	138	3,450	138
LM-ALX	Type 2	40W	4,120	103	5,087	127	5,150	129	5,712	143	5,712	143
	Type 3	40W	4,142	104	5,114	128	5,177	129	5,743	144	5,743	144
	Type 4	40W	4,109	103	5,073	127	5,135	128	5,696	142	5,696	142
	Type 5	40W	4,110	103	5,074	127	5,137	128	5,697	142	5,697	142
LM-ALX	Type 2	60W	6,084	101	7,511	125	7,604	127	8,448	141	8,448	141
	Type 3	60W	6,117	102	7,552	126	7,646	127	8,494	142	8,494	142
	Type 4	60W	6,066	101	7,489	125	7,583	126	8,424	140	8,424	140
	Type 5	60W	6,068	101	7,491	125	7,585	126	8,426	140	8,426	140
LM-ALX	Type 2	80W	7,982	100	9,854	123	9,979	125	11,104	139	11,104	139
	Type 3	80W	8,026	100	9,909	124	10,035	125	11,166	140	11,166	140
	Type 4	80W	7,958	99	9,825	123	9,950	124	11,072	138	11,072	138
	Type 5	80W	7,961	100	9,828	123	9,953	124	11,075	138	11,075	138

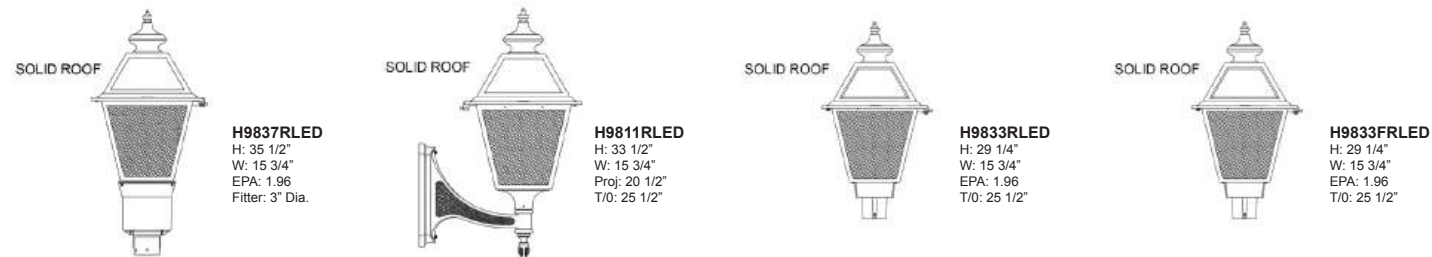
ORDERING INFORMATION

Lumecon Midtown Post-Top Series
Ordering Example: LM-ALX-H9837RLED-40-1-40-T3-CA-BLK-BL

MODEL	STYLE	WATTAGE	VOLTAGE	REQUIRED				FINISH	OPTIONAL		
				CCT	DISTRIBUTION	LENS	PHOTOCELL		HOUSE SIDE SHIELD	DIMMING CONTROLS	
LM-ALX	H9837RLED	25 - 25 Watts	1 - 120 - 277V	22 - 2200K	T2 - Type II	NL - No Lens*	See Samples Below	PC - Button Eye	BL - Back Light Louvers	FAWS - Field Adjustable Wattage Selector	
	H9811RLED	40 - 40 Watts	2 - 347 - 480V	27 - 2700K	T3 - Type III	CA - Clear Acrylic					
	H9833RLED	60 - 60 Watts		30 - 3000K	T4 - Type IV	CP - Clear Polycarbonate					
	H9833FRLED	80 - 80 Watts		40 - 4000K	T5 - Type V	OA - Opal Acrylic					
				50 - 5000K		OP - Opal Polycarbonate					
						PP - Prismatic Polycarbonate					

*Dark Sky Compliant with 3000K, 2700K and 2200K CCT

Product Style Samples



Available Finishes





Shown with:
H6130RLED Style
WA - White Acrylic Lens
VCP - Verde Copper Finish

FEATURES

- 2200K, 2700K, 3000K, 4000K or 5000K Color Temperatures
- Preprogrammed Wattages available in 25W, 40W and 60W
- 20kA / 40kV Extreme Surge Suppressor
- 7-Pin Receptacle Ready for use with Wireless Control Systems (optional)
- Powered by the Lumecon L-RETRO-T Light Engine
- Enhanced Thermal Dissipation System provides maximum thermal dissipation
- All LEDs are rated for a minimum of 100,000 hours of continuous operation at ambient temperatures from -40°F/-40°C to 115°F/46°C
- Acrylic and Polycarbonate Lens materials available
- 120-277V or 347-480V Input Voltage
- Slip fits over 2 7/8" and 3" OD tenons on most decorative poles. Requires nominal 3" diameter x 2 7/8" tall tenon
- Cast aluminum fitter housing with textured or 60% gloss polyester powder coat finishes for maximum durability
- DLC® qualified lite engine and ETL Listed to UL 1598 / 8750 and CSA 22.2 No. 250 for Wet Locations and BABA / BAA compliant
- 10-Year L70 performance-based warranty

PERFORMANCE DATA

Model	Distribution Type	Watts	2200K		2700K		3000K		4000K		5000K	
			Lumens	Efficacy	Lumens	Efficacy	Lumens	Efficacy	Lumens	Efficacy	Lumens	Efficacy
LM-BRD	Type 2	25W	2,500	100	3,100	124	3,125	125	3,500	140	3,500	140
	Type 3	25W	2,575	103	3,175	127	3,225	129	3,600	144	3,600	144
	Type 4	25W	2,450	98	3,050	122	3,075	123	3,425	137	3,450	137
	Type 5	25W	2,475	99	3,050	122	3,075	123	3,450	138	3,450	138
LM-BRD	Type 2	40W	4,120	103	5,087	127	5,150	129	5,712	143	5,712	143
	Type 3	40W	4,142	104	5,114	128	5,177	129	5,743	144	5,743	144
	Type 4	40W	4,109	103	5,073	127	5,135	128	5,696	142	5,696	142
	Type 5	40W	4,110	103	5,074	17	5,137	128	5,697	142	5,697	142
LM-BRD	Type 2	60W	6,084	101	7,511	125	7,604	127	8,448	141	8,448	141
	Type 3	60W	6,117	102	7,552	126	7,646	127	8,494	142	8,494	142
	Type 4	60W	6,066	101	7,489	125	7,583	126	8,424	140	8,424	140
	Type 5	60W	6,068	101	7,491	125	7,585	126	8,426	140	8,426	140

ORDERING INFORMATION

Lumecon Midtown Post-Top Series
Ordering Example: LM-BRD-H6130RLED-40-1-40-T3-CA-BLK-PC-BL

REQUIRED								OPTIONAL		
MODEL	STYLE	WATTAGE	VOLTAGE	CCT	DISTRIBUTION	LENS	FINISH	PHOTOCELL	HOUSE SIDE SHIELD	DIMMING CONTROLS
LM-BRD	H6110RLED	25 - 25 Watts	1 - 120v - 277v	22 - 2200K	T2 - Type II	CA - Clear Acrylic	See Samples Below	PC - Button Eye	BL - Back Light Louvers	FAWS - Field Adjustable Wattage Selector
	H6120RLED	40 - 40 Watts	2 - 347v - 480v	27 - 2700K	T3 - Type III	CP - Clear Polycarbonate				
	H6130RLED	60 - 60 Watts		30 - 3000K	T4 - Type IV	OA - Opal Acrylic				
				40 - 4000K	T5 - Type V	OP - Opal Polycarbonate				
				50 - 5000K		PP - Prismatic Polycarbonate				

Product Style Samples



H6110RLED
H: 40 3/4"
W: 21 1/4"
Proj: 22 3/4"
T/O: 32"

H6120RLED
H: 30 1/4"
W: 21 1/4"

H6130RLED
H: 38 5/8"
W: 21 1/4"
EPA: 2.60
Fitter: 3" Dia.

Available Finishes





Shown with:
H7632RLED Style
WA - White Acrylic Lens
VCP - Verde Copper Finish

FEATURES

- 2200K, 2700K, 3000K, 4000K or 5000K Color Temperatures
- Preprogrammed Wattages available in 25W, 40W, 60W and 80W
- 20kA / 40kV Extreme Surge Suppressor
- 7-Pin Receptacle Ready for use with Wireless Control Systems (optional)
- Powered by the Lumecon L-RETRO-T Light Engine
- Enhanced Thermal Dissipation System provides maximum thermal dissipation
- All LEDs are rated for a minimum of 100,000 hours of continuous operation at ambient temperatures from -40°F/-40°C to 115°F/46°C
- Acrylic and Polycarbonate Lens materials available
- 120-277V or 347-480V Input Voltage
- Slip fits over 2 7/8" and 3" OD tenons on most decorative poles. Requires nominal 3" diameter x 2 7/8" tall tenon
- Cast aluminum fitter housing with textured or 60% gloss polyester powder coat finishes for maximum durability
- DLC® qualified lite engine and ETL Listed to UL 1598 / 8750 and CSA 22.2 No. 250 for Wet Locations and BABA / BAA compliant
- 10-Year L70 performance-based warranty

PERFORMANCE DATA

Model	Distribution Type	Watts	2200K		2700K		3000K		4000K		5000K	
			Lumens	Efficacy	Lumens	Efficacy	Lumens	Efficacy	Lumens	Efficacy	Lumens	Efficacy
LM-BRT	Type 2	25W	2,500	100	3,100	124	3,125	125	3,500	140	3,500	140
	Type 3	25W	2,575	103	3,175	127	3,225	129	3,600	144	3,600	144
	Type 4	25W	2,450	98	3,050	122	3,075	123	3,425	137	3,450	137
	Type 5	25W	2,475	99	3,050	122	3,075	123	3,450	138	3,450	138
LM-BRT	Type 2	40W	4,120	103	5,087	127	5,150	129	5,712	143	5,712	143
	Type 3	40W	4,142	104	5,114	128	5,177	129	5,743	144	5,743	144
	Type 4	40W	4,109	103	5,073	127	5,135	128	5,696	142	5,696	142
	Type 5	40W	4,110	103	5,074	127	5,137	128	5,697	142	5,697	142
LM-BRT	Type 2	60W	6,084	101	7,511	125	7,604	127	8,448	141	8,448	141
	Type 3	60W	6,117	102	7,552	126	7,646	127	8,494	142	8,494	142
	Type 4	60W	6,066	101	7,489	125	7,583	126	8,424	140	8,424	140
	Type 5	60W	6,068	101	7,491	125	7,585	126	8,426	140	8,426	140
LM-BRT	Type 2	80W	7,982	100	9,854	123	9,979	125	11,104	139	11,104	139
	Type 3	80W	8,026	100	9,909	124	10,035	125	11,166	140	11,166	140
	Type 4	80W	7,958	99	9,825	123	9,950	124	11,072	138	11,072	138
	Type 5	80W	7,961	100	9,828	123	9,953	124	11,075	138	11,075	138

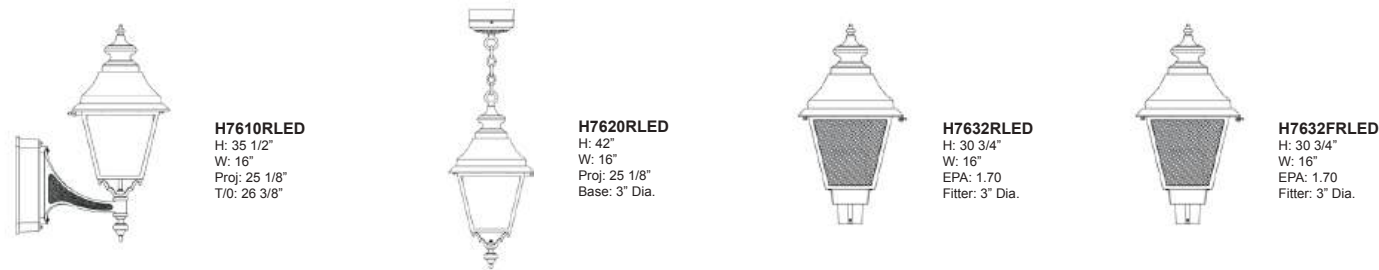
ORDERING INFORMATION

Lumecon Midtown Post-Top Series
Ordering Example: LM-BRT-H7632RLED-40-1-40-T3-CA-BLK-BL

REQUIRED								OPTIONAL		
MODEL	STYLE	WATTAGE	VOLTAGE	CCT	DISTRIBUTION	LENS	FINISH	PHOTOCELL	HOUSE SIDE SHIELD	DIMMING CONTROLS
LM-BRT	H7610RLED	25 - 25 Watts	1 - 120 - 277V	22 - 2200K	T2 - Type II	NL - No Lens*	See Samples Below	PC - Button Eye	BL - Back Light Louvers	FAWS - Field Adjustable Wattage Selector
	H7620RLED	40 - 40 Watts	2 - 347 - 480V	27 - 2700K	T3 - Type III	CA - Clear Acrylic				
	H7632RLED	60 - 60 Watts		30 - 3000K	T4 - Type IV	CP - Clear Polycarbonate				
	H7632FRLED	80 - 80 Watts		40 - 4000K	T5 - Type V	OA - Opal Acrylic				
				50 - 5000K		OP - Opal Polycarbonate				
						PP - Prismatic Polycarbonate				

*Dark Sky Compliant with 3000K, 2700K and 2200K CCT

Product Style Samples



Available Finishes





Shown with:
H1640RLED Style
WA - White Acrylic Lens
BLK - Black Finish

FEATURES

- 2200K, 2700K, 3000K, 4000K or 5000K Color Temperatures
- Preprogrammed Wattages available in 25W, 40W and 60W
- 20kA / 40kV Extreme Surge Suppressor
- 7-Pin Receptacle Ready for use with Wireless Control Systems (optional)
- Powered by the Lumecon L-RETRO-T Light Engine
- Enhanced Thermal Dissipation System provides maximum thermal dissipation
- All LEDs are rated for a minimum of 100,000 hours of continuous operation at ambient temperatures from -40°F/-40°C to 115°F/46°C
- 120-277V or 347-480V Input Voltage
- Slip fits over 2 7/8" and 3" OD tenons on most decorative poles. Requires nominal 3" diameter x 2 7/8" tall tenon
- Cast aluminum fitter housing with textured or 60% gloss polyester powder coat finishes for maximum durability
- DLC® qualified lite engine and ETL Listed to UL 1598 / 8750 and CSA 22.2 No. 250 for Wet Locations and BABA / BAA compliant
- 10-Year L70 performance-based warranty

PERFORMANCE DATA

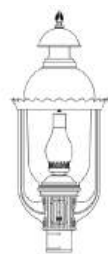
Model	Distribution Type	Watts	2200K		2700K		3000K		4000K		5000K	
			Lumens	Efficacy	Lumens	Efficacy	Lumens	Efficacy	Lumens	Efficacy	Lumens	Efficacy
LM-CAS	Type 2	25W	2,500	100	3,100	124	3,125	125	3,500	140	3,500	140
	Type 3	25W	2,575	103	3,175	127	3,225	129	3,600	144	3,600	144
	Type 4	25W	2,450	98	3,050	122	3,075	123	3,425	137	3,450	137
	Type 5	25W	2,475	99	3,050	122	3,075	123	3,450	138	3,450	138
LM-CAS	Type 2	40W	4,120	103	5,087	127	5,150	129	5,712	143	5,712	143
	Type 3	40W	4,142	104	5,114	128	5,177	129	5,743	144	5,743	144
	Type 4	40W	4,109	103	5,073	127	5,135	128	5,696	142	5,696	142
	Type 5	40W	4,110	103	5,074	127	5,137	128	5,697	142	5,697	142
LM-CAS	Type 2	60W	6,084	101	7,511	125	7,604	127	8,448	141	8,448	141
	Type 3	60W	6,117	102	7,552	126	7,646	127	8,494	142	8,494	142
	Type 4	60W	6,066	101	7,489	125	7,583	126	8,424	140	8,424	140
	Type 5	60W	6,068	101	7,491	125	7,585	126	8,426	140	8,426	140

ORDERING INFORMATION

Lumecon Midtown Post-Top Series
Ordering Example: LM-CAS-H1640RLED-40-1-40-T2-WA-BLK-PC-BL

REQUIRED								OPTIONAL		
MODEL	STYLE	WATTAGE	VOLTAGE	CCT	DISTRIBUTION	LENS	FINISH	PHOTOCELL	HOUSE SIDE SHIELD	DIMMING CONTROLS
LM-CAS	H1640RLED	25 - 25 Watts	1 - 120v - 277v	22 - 2200K	T2 - Type II	NL - No Lens*	See Samples Below	PC - Button Eye	BL - Back Light Louvers	FAWS - Field Adjustable Wattage Selector
		40 - 40 Watts	2 - 347v - 480v	27 - 2700K	T3 - Type III	CA - Clear Acrylic				
		60 - 60 Watts	30 - 3000K	T4 - Type IV	PA - Prismatic Acrylic					
			40 - 4000K	T5 - Type V	WA - White Acrylic					
			50 - 5000K							
						*Dark Sky Compliant with 3000K, 2700K and 2200K CCT				

Product Style Samples



H1640RLED
H: 35 1/2"
W: 14 1/4"
EPA: 2.00
Fitter: 3" Dia.

Available Finishes

Standard



Premium



Email: sales@lumecon.com Website: www.lumecon.com Phone: 248-477-5009 • Copyright © 2026 Lumecon LLC. All Rights Reserved.



Email: sales@lumecon.com Website: www.lumecon.com Phone: 248-477-5009 • Copyright © 2026 Lumecon LLC. All Rights Reserved.
Note: Specifications and photometric data are subject to change at any time without notice. Please see www.lumecon.com for current specifications and documentation.



Shown with:
H31830RLED Style
OA - Opal Acrylic
BLK - Black Finish

FEATURES

- 2200K, 2700K, 3000K, 4000K or 5000K Color Temperatures
- Preprogrammed Wattages available in 25W, 40W, 60W, and 80W
- 20kA / 40kV Extreme Surge Suppressor
- 7-Pin Receptacle Ready for use with Wireless Control Systems (optional)
- Powered by the Lumecon L-RETRO-T Light Engine
- Enhanced Thermal Dissipation System provides maximum thermal dissipation
- All LEDs are rated for a minimum of 100,000 hours of continuous operation at ambient temperatures from -40°F/-40°C to 115°F/46°C
- Acrylic and Polycarbonate Lens materials available
- 120-277V or 347-480V Input Voltage
- Slip fits over 2 7/8" and 3" OD tenons on most decorative poles. Requires nominal 3" diameter x 2 7/8" tall tenon
- Cast aluminum fitter housing with textured or 60% gloss polyester powder coat finishes for maximum durability
- DLC® qualified lite engine and ETL Listed to UL 1598 / 8750 and CSA 22.2 No. 250 for Wet Locations and BABA / BAA compliant
- 10-Year L70 performance-based warranty

Product Style Samples



PERFORMANCE DATA

Model	Distribution Type	Watts	2200K		2700K		3000K		4000K		5000K	
			Lumens	Efficacy	Lumens	Efficacy	Lumens	Efficacy	Lumens	Efficacy	Lumens	Efficacy
LM-CLM	Type 2	25W	2,500	100	3,100	124	3,125	125	3,500	140	3,500	140
	Type 3	25W	2,575	103	3,175	127	3,225	129	3,600	144	3,600	144
	Type 4	25W	2,450	98	3,050	122	3,075	123	3,425	137	3,450	137
	Type 5	25W	2,475	99	3,050	122	3,075	123	3,450	138	3,450	138
LM-CLM	Type 2	40W	4,120	103	5,087	127	5,150	129	5,712	143	5,712	143
	Type 3	40W	4,142	104	5,114	128	5,177	129	5,743	144	5,743	144
	Type 4	40W	4,109	103	5,073	127	5,135	128	5,696	142	5,696	142
	Type 5	40W	4,110	103	5,074	127	5,137	128	5,697	142	5,697	142
LM-CLM	Type 2	60W	6,084	101	7,511	125	7,604	127	8,448	141	8,448	141
	Type 3	60W	6,117	102	7,552	126	7,646	127	8,494	142	8,494	142
	Type 4	60W	6,066	101	7,489	125	7,583	126	8,424	140	8,424	140
	Type 5	60W	6,068	101	7,491	125	7,585	126	8,426	140	8,426	140
LM-CLM	Type 2	80W	7,982	100	9,854	123	9,979	125	11,104	139	11,104	139
	Type 3	80W	8,026	100	9,909	124	10,035	125	11,166	140	11,166	140
	Type 4	80W	7,958	99	9,825	123	9,950	124	11,072	138	11,072	138
	Type 5	80W	7,961	100	9,828	123	9,953	124	11,075	138	11,075	138

ORDERING INFORMATION

Lumecon Midtown Post-Top Series
Ordering Example: LM-CLM-H31830RLED-40-1-40-T3-CA-BLK-PC-BL

REQUIRED								OPTIONAL		
MODEL	STYLE	WATTAGE	VOLTAGE	CCT	DISTRIBUTION	LENS	FINISH	PHOTOCELL	HOUSE SIDE SHIELD	DIMMING CONTROLS
LM-CLM	H31810RLED	25 - 25 Watts	1 - 120 - 277V	22 - 2200K	T2 - Type II	NL - No Lens*	See Samples Below	PC - Button Eye	BL - Back Light Louvers	FAWS - Field Adjustable Wattage Selector
	H31820RLED	40 - 40 Watts	2 - 347 - 480V	27 - 2700K	T3 - Type III	CA - Clear Acrylic				
	H31830RLED	60 - 60 Watts		30 - 3000K	T4 - Type IV	CP - Clear Polycarbonate				
		80 - 80 Watts		40 - 4000K	T5 - Type V	OA - Opal Acrylic				
				50 - 5000K		OP - Opal Polycarbonate				
						PP - Prismatic Polycarbonate				

*Dark Sky Compliant with 3000K, 2700K and 2200K CCT

Available Finishes

Standard



Premium





Shown with:
H28632RLED Style
Verde Finish
OA - Opal Acrylic Lens

FEATURES

- 2200K, 2700K, 3000K, 4000K or 5000K Color Temperatures
- Preprogrammed Wattages available in 35W, 45W and 55W
- 20kA / 40kV Extreme Surge Suppressor
- 7-Pin Receptacle Ready for use with Wireless Control Systems (optional)
- Enhanced Thermal Dissipation System provides maximum thermal dissipation
- All LEDs are rated for a minimum of 100,000 hours of continuous operation at ambient temperatures from -40°F/-40°C to 115°F/46°C
- Acrylic and Polycarbonate Lens materials available
- 120-277V or 347-480V Input Voltage
- Slip fits over 2 7/8" and 3" OD tenons on most decorative poles. Requires nominal 3" diameter x 2 7/8" tall tenon
- Cast aluminum fitter housing with textured or 60% gloss polyester powder coat finishes for maximum durability
- BABA / BAA compliant
- 10-Year L70 performance-based warranty

PERFORMANCE DATA

Model	Distribution Type	Watts	2200K		2700K		3000K		4000K		5000K	
			Lumens	Efficacy	Lumens	Efficacy	Lumens	Efficacy	Lumens	Efficacy	Lumens	Efficacy
LM-FRS	Type 5	35W	3,452	99	4,270	122	4,305	123	4,830	138	2,752	138
LM-FRS	Type 5	45W	4,624	103	5,715	127	5,760	128	6,390	142	5,697	142
LM-FRS	Type 5	55W	5,562	101	6,875	125	6,930	126	7,700	140	8,426	140

ORDERING INFORMATION

Lumecon Midtown Post-Top Series
Ordering Example: LM-FRS-H28632RLED-45-1-40-T5-CA-BLK-PC-32-00123

REQUIRED								OPTIONAL	
MODEL	STYLE	WATTAGE	VOLTAGE	CCT	DISTRIBUTION	LENS	FINISH	PHOTOCELL	DIMMING CONTROLS
LM-FRS	H28632RLED	35 - 35 Watts	1 - 120v - 277v	22 - 2200K	T5 - Type V	CA - Clear Acrylic	See Samples Below	PC - Button Eye	FAWS - Field Adjustable Wattage Selector
	H28532RLED	45 - 45 Watts	2 - 347v - 480v	27 - 2700K		CP - Clear Polycarbonate			
	H28610RLED	55 - 55 Watts		30 - 3000K		OA - Opal Acrylic			
	H28510RLED			40 - 4000K		OP - Opal Polycarbonate			
				50 - 5000K		PP - Prismatic Polycarbonate			

Product Style Samples



Available Finishes





Shown with:
H3837RLED Style
CA - Clear Acrylic Lens
BLK - Black Finish

FEATURES

- 2200K, 2700K, 3000K, 4000K or 5000K Color Temperatures
- Preprogrammed Wattages available in 35W, 45W and 55W
- 20kA / 40kV Extreme Surge Suppressor
- 7-Pin Receptacle Ready for use with Wireless Control Systems (optional)
- Powered by the Lumecon L-RETRO-T Light Engine
- Enhanced Thermal Dissipation System provides maximum thermal dissipation
- All LEDs are rated for a minimum of 100,000 hours of continuous operation at ambient temperatures from -40°F/-40°C to 115°F/46°C
- Acrylic and Polycarbonate Lens materials available
- 120-277V or 347-480V Input Voltage
- Slip fits over 2 7/8" and 3" OD tenons on most decorative poles. Requires nominal 3" diameter x 2 7/8" tall tenon
- Cast aluminum fitter housing with textured or 60% gloss polyester powder coat finishes for maximum durability
- DLC® qualified lite engine and ETL Listed to UL 1598 / 8750 and CSA 22.2 No. 250 for Wet Locations and BABA / BAA compliant
- 10-Year L70 performance-based warranty

PERFORMANCE DATA

Model	Distribution Type	Watts	2200K		2700K		3000K		4000K		5000K	
			Lumens	Efficacy	Lumens	Efficacy	Lumens	Efficacy	Lumens	Efficacy	Lumens	Efficacy
LM-MAJ	Type 4	35W	3,446	98	4,270	122	4,305	123	4,795	137	2,747	137
	Type 5	35W	3,452	99	4,270	122	4,305	123	4,830	138	2,752	138
LM-MAJ	Type 4	45W	4,623	103	5,715	127	5,760	128	6,390	142	5,696	142
	Type 5	45W	4,624	103	5,715	127	5,760	128	6,390	142	5,697	142
LM-MAJ	Type 4	55W	5,561	101	6,875	125	6,930	126	7,700	140	8,424	140
	Type 5	55W	5,562	101	6,875	125	6,930	126	7,700	140	8,426	140

For Lumen Packages see current spec sheet

ORDERING INFORMATION

Lumecon Midtown Post-Top Series
Ordering Example: LM-MAJ-H3837RLED-45-1-40-T4-CA-BLK-PC-BL

REQUIRED								OPTIONAL	
MODEL	STYLE	WATTAGE	VOLTAGE	CCT	DISTRIBUTION	LENS	FINISH	PHOTOCELL	DIMMING CONTROLS
LM-MAJ	H3733RLED	35 - 35 Watts	1 - 120v - 277v	22 - 2200K	T2 - Type II	CA - Clear Acrylic	See Samples Below	PC - Button Eye	FAWS - Field Adjustable Wattage Selector
	H3737RLED	45 - 45 Watts	2 - 347v - 480v	27 - 2700K	T3 - Type III	CP - Clear Polycarbonate			
	H3833RLED	60 - 60 Watts		30 - 3000K	T4 - Type IV	OA - Opal Acrylic			
	H3838RLED	80 - 80 Watts		40 - 4000K	T5 - Type V	OP - Opal Polycarbonate			
	HK100162	95 - 95 Watts		50 - 5000K		PP - Prismatic Polycarbonate			
		110 - 110 Watts				SA - Stippled Acrylic			
		125 - 125 Watts							

Product Style Samples



H3733RLED
H: 29 1/2"
W: 13 1/2"
EPA: 1.40
Fitter: 3" Dia.



H3737RLED
H: 29 1/2"
W: 16 1/4"
EPA: 1.45
Fitter: 3" Dia.



H3833RLED
H: 39 1/2"
W: 18"
EPA: 2.60
Fitter: 3" Dia.



H3837RLED
H: 39 1/2"
W: 20 1/4"
EPA: 2.65
Fitter: 3" Dia.

Available Finishes

Standard



Premium





FEATURES

- 2200K, 2700K, 3000K, 4000K or 5000K Color Temperatures
- Preprogrammed Wattages available in 25W, 40W, 60W and 80W
- 20kA / 40kV Extreme Surge Suppressor
- 7-Pin Receptacle Ready for use with Wireless Control Systems (optional)
- Powered by the Lumecon L-RETRO-T Light Engine
- Enhanced Thermal Dissipation System provides maximum thermal dissipation
- All LEDs are rated for a minimum of 100,000 hours of continuous operation at ambient temperatures from -40°F/-40°C to 115°F/46°C
- 120-277V or 347-480V Input Voltage
- Slip fits over 2 7/8" and 3" OD tenons on most decorative poles. Requires nominal 3" diameter x 2 7/8" tall tenon
- Cast aluminum fitter housing with textured or 60% gloss polyester powder coat finishes for maximum durability
- DLC® qualified lite engine and ETL Listed to UL 1598 / 8750 and CSA 22.2 No. 250 for Wet Locations and BABA / BAA compliant
- 10-Year L70 performance-based warranty

PERFORMANCE DATA

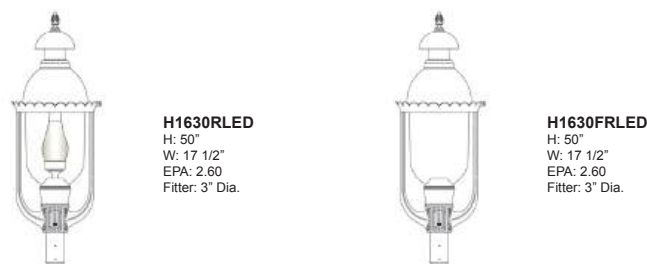
Model	Distribution Type	Watts	2200K		2700K		3000K		4000K		5000K	
			Lumens	Efficacy	Lumens	Efficacy	Lumens	Efficacy	Lumens	Efficacy	Lumens	Efficacy
LM-MCK	Type 2	25W	2,500	100	3,100	124	3,125	125	3,500	140	3,500	140
	Type 3	25W	2,575	103	3,175	127	3,225	129	3,600	144	3,600	144
	Type 4	25W	2,450	98	3,050	122	3,075	123	3,425	137	3,450	137
	Type 5	25W	2,475	99	3,050	122	3,075	123	3,450	138	3,450	138
LM-MCK	Type 2	40W	4,120	103	5,087	127	5,150	129	5,712	143	5,712	143
	Type 3	40W	4,142	104	5,114	128	5,177	129	5,743	144	5,743	144
	Type 4	40W	4,109	103	5,073	127	5,135	128	5,696	142	5,696	142
	Type 5	40W	4,110	103	5,074	17	5,137	128	5,697	142	5,697	142
LM-MCK	Type 2	60W	6,084	101	7,511	125	7,604	127	8,448	141	8,448	141
	Type 3	60W	6,117	102	7,552	126	7,646	127	8,494	142	8,494	142
	Type 4	60W	6,066	101	7,489	125	7,583	126	8,424	140	8,424	140
	Type 5	60W	6,068	101	7,491	125	7,585	126	8,426	140	8,426	140
LM-MCK	Type 2	80W	7,982	100	9,854	123	9,979	125	11,104	139	11,104	139
	Type 3	80W	8,026	100	9,909	124	10,035	125	11,166	140	11,166	140
	Type 4	80W	7,958	99	9,825	123	9,950	124	11,072	138	11,072	138
	Type 5	80W	7,961	100	9,828	123	9,953	124	11,075	138	11,075	138

ORDERING INFORMATION

Lumecon Midtown Post-Top Series
 Ordering Example: LM-MCK-H1630RLED-45-1-40-T2-WA-BLK-PC-BL

REQUIRED								OPTIONAL		
MODEL	STYLE	WATTAGE	VOLTAGE	CCT	DISTRIBUTION	LENS	FINISH	PHOTOCELL	HOUSE SIDE SHIELD	DIMMING CONTROLS
LM-MCK	H1630RLED	25 - 25 Watts	1 - 120v - 277v	22 - 2200K	T2 - Type II	NL - No Lens*	See Samples Below	PC - Button Eye	BL - Back Light Louvers	FAWS - Field Adjustable Wattage Selector
	H1630FRLED	40 - 40 Watts	2 - 347v - 480v	27 - 2700K	T3 - Type III	CA - Clear Acrylic				
		60 - 60 Watts		30 - 3000K	T4 - Type IV	PA - Prismatic Acrylic				
		80 - 80 Watts		40 - 4000K	T5 - Type V	WA - White Acrylic				
				50 - 5000K		*Dark Sky Compliant with 3000K, 2700K and 2200K CCT				

Product Style Samples



Available Finishes





Shown with:
H5530RLED Style
CL - Clear Acrylic Lens
FGN - Forest Green Finish

FEATURES

- 2200K, 2700K, 3000K, 4000K or 5000K Color Temperatures
- Preprogrammed Wattages available in 25W, 40W and 60W
- 20kA / 40kV Extreme Surge Suppressor
- 7-Pin Receptacle Ready for use with Wireless Control Systems (optional)
- Powered by the Lumecon L-RETRO-T Light Engine
- Enhanced Thermal Dissipation System provides maximum thermal dissipation
- All LEDs are rated for a minimum of 100,000 hours of continuous operation at ambient temperatures from -40°F/-40°C to 115°F/46°C
- Acrylic and Polycarbonate Lens materials available
- 120-277V or 347-480V Input Voltage
- Slip fits over 2 7/8" and 3" OD tenons on most decorative poles. Requires nominal 3" diameter x 2 7/8" tall tenon
- Cast aluminum fitter housing with textured or 60% gloss polyester powder coat finishes for maximum durability
- DLC® qualified lite engine and ETL Listed to UL 1598 / 8750 and CSA 22.2 No. 250 for Wet Locations and BABA / BAA compliant
- 10-Year L70 performance-based warranty

PERFORMANCE DATA

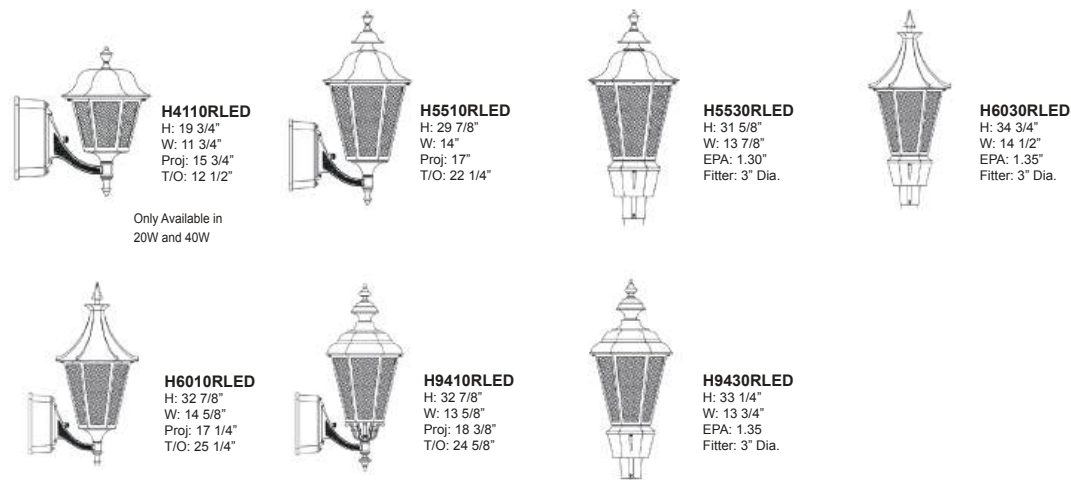
Model	Distribution Type	Watts	2200K		2700K		3000K		4000K		5000K	
			Lumens	Efficacy	Lumens	Efficacy	Lumens	Efficacy	Lumens	Efficacy	Lumens	Efficacy
LM-MDN	Type 2	25W	2,500	100	3,100	124	3,125	125	3,500	140	3,500	140
	Type 3	25W	2,575	103	3,175	127	3,225	129	3,600	144	3,600	144
	Type 4	25W	2,450	98	3,050	122	3,075	123	3,425	137	3,450	137
	Type 5	25W	2,475	99	3,050	122	3,075	123	3,450	138	3,450	138
LM-MDN	Type 2	40W	4,120	103	5,087	127	5,150	129	5,712	143	5,712	143
	Type 3	40W	4,142	104	5,114	128	5,177	129	5,743	144	5,743	144
	Type 4	40W	4,109	103	5,073	127	5,135	128	5,696	142	5,696	142
	Type 5	40W	4,110	103	5,074	127	5,137	128	5,697	142	5,697	142
LM-MDN	Type 2	60W	6,084	101	7,511	125	7,604	127	8,448	141	8,448	141
	Type 3	60W	6,117	102	7,552	126	7,646	127	8,494	142	8,494	142
	Type 4	60W	6,066	101	7,489	125	7,583	126	8,424	140	8,424	140
	Type 5	60W	6,068	101	7,491	125	7,585	126	8,426	140	8,426	140

ORDERING INFORMATION

Lumecon Midtown Post-Top Series
Ordering Example: LM-MDN-H5530RLED-40-1-40-T3-NL-BLK-PC-BL

MODEL	STYLE	WATTAGE	VOLTAGE	CCT	DISTRIBUTION	LENS	FINISH	OPTIONAL		
								PHOTOCELL	HOUSE SIDE SHIELD	DIMMING CONTROLS
LM-MDN	H4110RLED	25 - 25 Watts	1 - 120v - 277v	22 - 2200K	T2 - Type II	NL - No Lens	See Samples Below	PC - Button Eye	BL - Back Light Louvers	FAWS - Field Adjustable Wattage Selector
	H5110RLED	40 - 40 Watts	2 - 347v - 480v	27 - 2700K	T3 - Type III	CA - Clear Acrylic				
	H5530RLED	60 - 60 Watts		30 - 3000K	T4 - Type IV	OA - Opal Acrylic				
	H6030RLED			40 - 4000K	T5 - Type V	PP - Prismatic Polycarbonate				
	H6010RLED			50 - 5000K						
	H9410RLED									
	H9430RLED									

Product Style Samples



Available Finishes
Standard



Premium





Shown with:
H14430RLED Style
CA - Clear Acrylic Lens
SRT - Shadow Rust Finish

FEATURES

- 2200K, 2700K, 3000K, 4000K or 5000K Color Temperatures
- Preprogrammed Wattages available in 35W, 45W and 55W
- 20kA / 40kV Extreme Surge Suppressor
- 7-Pin Receptacle Ready for use with Wireless Control Systems (optional)
- Powered by the Lumecon L-RETRO-DG Light Engine
- Enhanced Thermal Dissipation System provides maximum thermal dissipation
- All LEDs are rated for a minimum of 100,000 hours of continuous operation at ambient temperatures from -40°F/-40°C to 115°F/46°C
- Acrylic and Polycarbonate Lens materials available
- 120-277V or 347-480V Input Voltage
- Slip fits over 2 7/8" and 3" OD tenons on most decorative poles. Requires nominal 3" diameter x 2 7/8" tall tenon
- Cast aluminum fitter housing with textured or 60% gloss polyester powder coat finishes for maximum durability
- DLC® qualified lite engine and ETL Listed to UL 1598 / 8750 and CSA 22.2 No. 250 for Wet Locations and BABA / BAA compliant
- 10-Year L70 performance-based warranty

PERFORMANCE DATA

Model	Distribution Type	Watts	2200K		2700K		3000K		4000K		5000K	
			Lumens	Efficacy	Lumens	Efficacy	Lumens	Efficacy	Lumens	Efficacy	Lumens	Efficacy
LM-MON	Type 4	35W	3,446	98	4,270	122	4,305	123	4,795	137	2,747	137
	Type 5	35W	3,452	99	4,270	122	4,305	123	4,830	138	2,752	138
LM-MON	Type 4	45W	4,623	103	5,715	127	5,760	128	6,390	142	5,696	142
	Type 5	45W	4,624	103	5,715	127	5,760	128	6,390	142	5,697	142
LM-MON	Type 4	55W	5,561	101	6,875	125	6,930	126	7,700	140	8,424	140
	Type 5	55W	5,562	101	6,875	125	6,930	126	7,700	140	8,426	140

ORDERING INFORMATION

Lumecon Midtown Post-Top Series
Ordering Example: LM-MON-H14430RLED-45-1-40-CA-BLK-PC-32-00123

REQUIRED								OPTIONAL		
MODEL	STYLE	WATTAGE	VOLTAGE	CCT	DISTRIBUTION	LENS	FINISH	PHOTOCELL	HOUSE SIDE SHIELD	DIMMING CONTROLS
LM-MON	H14209RLED	35 - 35 Watts	1 - 120v - 277v	22 - 2200K	T4 - Type IV	CA - Clear Acrylic	See Samples Below	PC - Button Eye	32-00123 - House Side Shield	FAWS - Field Adjustable Wattage Selector
	H14230RLED	45 - 45 Watts	2 - 347v - 480v	27 - 2700K	T5 - Type V	CP - Clear Polycarbonate				
	H14409RLED	55 - 55 Watts		30 - 3000K		OA - Opal Acrylic				
	H14430RLED			40 - 4000K		OP - Opal Polycarbonate				
				50 - 5000K		PP - Prismatic Polycarbonate				

Product Style Samples



Available Finishes





Shown with:
H9965RLED Style
PP - Prismatic Polycarbonate Lens
BLK - Black Finish

FEATURES

- 2200K, 2700K, 3000K, 4000K or 5000K Color Temperatures
- Preprogrammed Wattages available in 20W and 40W
- 20kA / 40kV Extreme Surge Suppressor
- 7-Pin Receptacle Ready for use with Wireless Control Systems (optional)
- Powered by the Lumecon L-RETRO-T Light Engine
- Enhanced Thermal Dissipation System provides maximum thermal dissipation
- All LEDs are rated for a minimum of 100,000 hours of continuous operation at ambient temperatures from -40°F/-40°C to 115°F/46°C
- Acrylic and Polycarbonate Lens materials available
- 120-277V or 347-480V Input Voltage
- Slip fits over 2 7/8" and 3" OD tenons on most decorative poles. Requires nominal 3" diameter x 2 7/8" tall tenon
- Cast aluminum fitter housing with textured or 60% gloss polyester powder coat finishes for maximum durability
- DLC® qualified lite engine and ETL Listed to UL 1598 / 8750 and CSA 22.2 No. 250 for Wet Locations and BABA / BAA compliant
- 10-Year L70 performance-based warranty

PERFORMANCE DATA

Model	Distribution Type	Watts	2200K		2700K		3000K		4000K		5000K	
			Lumens	Efficacy	Lumens	Efficacy	Lumens	Efficacy	Lumens	Efficacy	Lumens	Efficacy
LM-SCH	Type 2	20W	2,001	100	2,470	124	2,503	125	2,792	140	2,792	140
	Type 3	20W	2,062	103	2,546	127	2,579	129	2,877	144	2,877	144
	Type 4	20W	1,969	98	2,431	122	2,463	123	2,747	137	2,747	137
	Type 5	20W	1,972	99	2,435	122	2,467	123	2,747	138	2,747	138
LM-SCH	Type 2	40W	4,120	103	5,087	127	5,150	129	5,712	143	5,712	143
	Type 3	40W	4,142	104	5,114	128	5,177	129	5,743	144	5,743	144
	Type 4	40W	4,109	103	5,073	127	5,135	128	5,696	142	5,696	142
	Type 5	40W	4,110	103	5,074	17	5,137	128	5,697	142	5,697	142

ORDERING INFORMATION

Lumecon Midtown Post-Top Series
Ordering Example: LM-SCH-H9965RLED-40-1-40-T3-CA-BLK-PC-BL

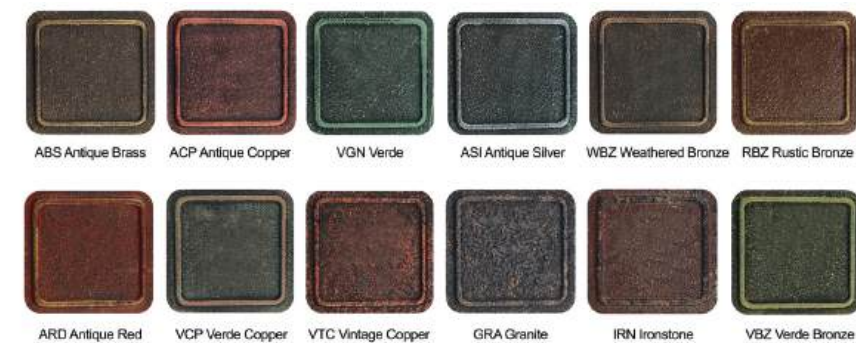
MODEL	STYLE	WATTAGE	VOLTAGE	CCT	DISTRIBUTION	LENS	FINISH	OPTIONAL		
								PHOTOCELL	HOUSE SIDE SHIELD	DIMMING CONTROLS
LM-SCH	H9962RLED	20 - 20 Watts	1 - 120v - 277v	22 - 2200K	T2 - Type II	CA - Clear Acrylic	See Samples Below	PC - Button Eye	BL - Back Light Louvers	FAWS - Field Adjustable Wattage Selector
	H9965RLED	40 - 40 Watts	2 - 347v - 480v	27 - 2700K	T3 - Type III	CP - Clear Polycarbonate				
	H9972RLED			30 - 3000K	T4 - Type IV	OA - Opal Acrylic				
	H9975RLED			40 - 4000K	T5 - Type V	OP - Opal Polycarbonate				
				50 - 5000K		PP - Prismatic Polycarbonate				

Available Finishes

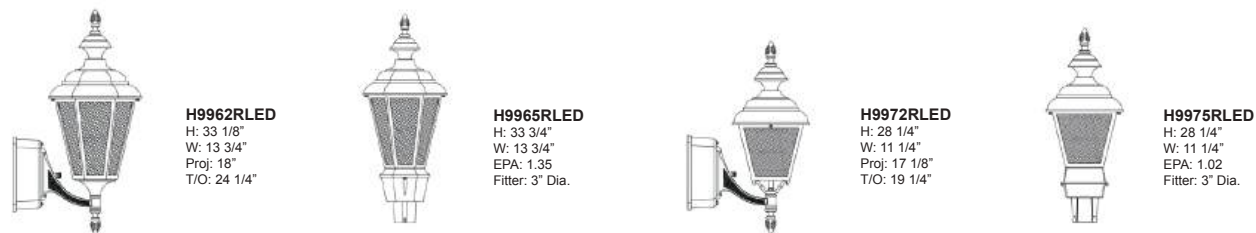
Standard



Premium



Product Style Samples



Email: sales@lumecon.com Website: www.lumecon.com Phone: 248-477-5009 • Copyright © 2026 Lumecon LLC. All Rights Reserved.

Note: Specifications and photometric data are subject to change at any time without notice. Please see www.lumecon.com for current specifications and documentation.



Email: sales@lumecon.com Website: www.lumecon.com Phone: 248-477-5009 • Copyright © 2026 Lumecon LLC. All Rights Reserved.

Note: Specifications and photometric data are subject to change at any time without notice. Please see www.lumecon.com for current specifications and documentation.



Shown with:
C3 - Polycarbonate
B - Black Finish

FEATURES

- 3000K, 4000K or 5000K Color Temperatures
- Die cast aluminum housing and front frame with black powder coat finish over a chromate conversion coating.
- Housing features an integrated heat sink and driver compartment built into the fixture design
- 120-277V Input Voltage
- Glass or Polycarbonate Lens materials available
- All LEDs are rated for a estimated 50,000 hours of continuous operation at ambient temperatures
- ADC 12 aluminum die casting, fine heat dissipation
- IP65
- 5 year warranty



PERFORMANCE DATA

Model	Watts	3000K		4000K		5000K	
		Lumens	Efficacy	Lumens	Efficacy	Lumens	Efficacy
BLS-CAR	30W	3,060	102	3,150	105	3,120	104
BLS-CAR	50W	5,100	102	5,250	105	5,200	104
BLS-CAR	60W	6,120	102	6,300	105	6,420	104
BLS-CAR	100W	10,200	102	10,500	104	10,400	104

ORDERING INFORMATION

Baseline Carriage Post-Top
Ordering Example: BLS-CAR-YTP350-60-B-T5-1-ADJ-C2-Z2-PC1

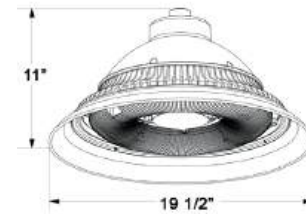
MODEL	STYLE	WATTAGE	FINISH	DISTRIBUTION	VOLTAGE	CCT	LENS	TENON	OPTIONS
BLS-CAR	YTP350	60 - 60W, 50W, 30W ¹ 100 - 100W, 60W, 30W ¹	B - Black CC - Custom	T5 - Type V	1 - 120-277V	ADJ - 3000K, 4000K, 5000K	C2 - Glass C3 - Polycarbonate NL - No Lens	Z2 - 2 3/8" Z4 - 3"	PC1 - Photocell



Shown with:
 B - Black Finish
 ASMA12 - Dual Pole Mount
 PARS - Smooth Aluminum
 Extruded Pole

FEATURES

- 3000K, 4000K or 5000K Color Temperatures
- 20kA / 40kV Extreme Surge Suppressor
- Clear prismatic array lens to seal LED array
- 120-277V or 347-480V Input Voltage
- Textured architectural bronze powdercoat finish over a chromate conversion coating
- Single wall mount arm and bracket, or single or dual Pole Mount arms. Pole mount arms accommodate 3" tenons.
- ETL Listed for wet locations, ANSI/UL 1598, 8750 IP66 sealed LED compartment and BAA compliant
- 5-Year for -40°C to +50°C environment



PERFORMANCE DATA

LED Board Watts	Drive Current (mA)	Input Watts	Optics	5000 CCT 80 CRI					4000 CCT 80 CRI					3000 CCT 80 CRI				
				Lumens	LPW	B	U	G	Lumens	LPW	B	U	G	Lumens	LPW	B	U	G
EasyLED 37w	525	39	Type III (Clear Prismatic Array Lens)	3,228	83	1	2	0	3,107	80	1	0	1	-	-	-	-	-
EasyLED 65w	525	68	Type III (Clear Prismatic Array Lens)	5,671	83	2	0	2	5,458	80	2	0	2	5,246	77	2	0	2
EasyLED 84w	525	86	Type III (Clear Prismatic Array Lens)	7,067	82	2	0	2	6,802	79	2	0	2	-	-	-	-	-
			Type V (Clear Prismatic Array Lens)	9,614	112	3	3	0	8,965	104	3	3	0	8,653	101	3	3	0
			Type V (LumaLens Array Lens)	8,220	96	3	3	0	7,665	89	3	3	0	7,398	86	3	3	0

ORDERING INFORMATION

STEP 1: Select Fixture

LM-ADL – Options / Ordering Example: LM-ADL-F-1X37-U-3K-C-B-SP

Model	Optics	Wattage	Driver	CCT	Lens	Color	Options
LM-ADL	C - Type III	1x37 - 37W	U - 120-277V	3K - 3000K*	C - Clear Prismatic Array Lens	B - Black	SF - Single Fuse*
	F - Type V	1x65 - 65W	H - 347-480V	4K - 4000K	L - LumaLens Opal Array Lens	C - Custom Color	DF - Double Fuse*
		1x84 - 84W		5K - 5000K			SP - Surge Protection
				84W Type V & 65W Type III Only			S2 - Microwave Sensor with Dimming for Mounting Heights of 8' to 40'
							S4 - Microwave On/Off Motion Sensor for Mounting Heights of 8' to 19'*
							*120-277V Models only

STEP 2: Select Arm

Ordering Example: ASWM12-B-R7

Model	Color	Options
ASWM11 - Single Wall Mount Arm	B - Black	R3 - 3-Pin Twist Lock Photocell Receptacle
ASMA11 - Single Pole Mount Arm	C - Custom Color	R5 - 5-Pin Twist Lock Photocell Receptacle
ASMA12 - Dual Pole Mount Arm		R7 - 7-Pin ANSI C136.41—2013 Twist Lock Photocell Receptacle
		<i>Photocell Option not available with Wall Mount Arm</i>

STEP 3: Select Pole

Ordering Example: PARS-420AB-B-P3-LAB

Model	Height/Shaft/Gauge	Color	Pole Top Mounting	Options
PARS - Smooth Aluminum Extruded Pole	420AB - 20' Anchor Base Pole	B - Black	P3 - 2 1/4 x 3"H Tenon	Blank - No Options LAB - Less Anchor Bolts (2) LBC - Less Base Cover (3)

Notes:
 1. Side Drilled poles include UV-stabilized polycarbonate pole cap.
 2. All poles include anchor bolts standard, consult dimension table for size based on pole dimensions.
 3. All poles include square 2-piece black base cover.

See PARF/PARS Spec Sheet for Additional Specifications and EPAs

Ordering Example: PARF-416AB-B-LAB

Model	Height/Shaft/Gauge	Color	Options
PARF - Fluted Aluminum Extruded Pole	416AB - 16' Anchor Base Pole	B - Black	Blank - No Options
	422DB - 22' Direct Burial Pole		LAB - Less Anchor Bolts (2)

Notes:
 1. PARF poles include anchor bolts standard.
 2. PARF poles include removable 3" aluminum tenon.
 3. PARF Poles can be cut to custom lengths. Consult factory.

See PARF/PARS Spec Sheet for Additional Specifications and EPAs

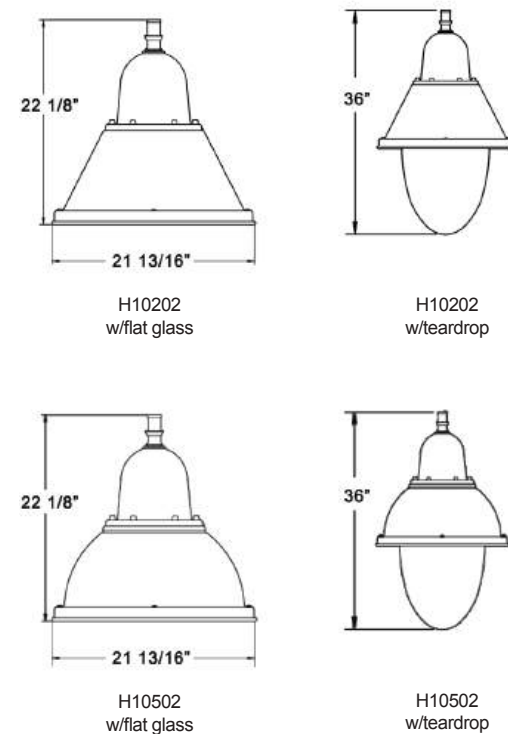


Shown with:
H10502 Style
BLK Black Finish
FG - Flat Glass Lens
27-00179 Single Bent Bracket Arm

FEATURES

- 2200K, 2700K, 3000K, 4000K or 5000K Color Temperatures
- 20kA / 40kV Extreme Surge Suppressor
- Powered by the Lumecon L-RETRO-T Light Engine
- Enhanced Thermal Dissipation System provides maximum thermal dissipation
- All LEDs are rated for a minimum of 100,000 hours of continuous operation at ambient temperatures from -40°F/-40°C to 115°F/46°C
- 120-277V or 347-480V Input Voltage
- Die-cast aluminum fitter housing with textured or 60% gloss polyester powder coat finishes for maximum durability
- DLC® qualified lite engine and ETL Listed to UL 1598 / 8750 and CSA 22.2 No. 250 for Wet Locations and BABA / BAA compliant
- 10-Year L70 performance-based warranty

For Lumen Packages see current spec sheet



ORDERING INFORMATION

LMTD-HS
Example Part Number: LMTD-HS-H10502-40-DB-T3-FG-1-40

MODEL	STYLE	WATTAGE	PAINT COLOR	DISTRIBUTION	LENS	VOLTAGE	CCT
LMTD-HS	H10202	20 - 20 Watts	See Samples Below	T2 - Type II	FG - Flat Glass	1 - 120-277V	22 - 2200K
	H10502	30 - 30 Watts		T3 - Type III	TD - Tear Drop	2 - 347-480V	27 - 2700K
		40 - 40 Watts		T4 - Type IV			30 - 3000K
		50 - 50 Watts		T5 - Type V			40 - 4000K
		60 - 60 Watts					50 - 5000K
		70 - 70 Watts					
		80 - 80 Watts					
		90 - 90 Watts					
		100 - 100 Watts					
		110 - 110 Watts					

Options & Accessories

- PC1 - 120v-277v Twist Lock PhotoCell (10-year warranty)
- PC2 - 347v-480v Twist Lock PhotoCell (10-year warranty)
- DIM4 - 105-305 VAC, 50/60 Hz with ten position field adjustable selector switch
- DIM4-HV - High Voltage 312-530 VAC, 50/60 Hz with ten position field adjustable selector switch
- DIM4-CD - Constant all-night Dimming
- DIM4-CD-HV - Constant all-night Dimming, 315-530 VAC 50/60Hz
- DIM4-CUL - 120 VAC, 50/60 Hz, cUL-certified version with gray cover
- DIM4-ALC - Adaptive Lighting Control with a 2% per year incremental increase to compensate for an aging fixture
- DIM3-XX - Factory set dimming schedule (10 position selector switch not available)

Available Finishes



Email: sales@lumecon.com Website: www.lumecon.com Phone: 248-477-5009 • Copyright © 2026 Lumecon LLC. All Rights Reserved.

Note: Specifications and photometric data are subject to change at any time without notice. Please see www.lumecon.com for current specifications and documentation.



L-RETRO-DG LIGHT ENGINE



Email: sales@lumecon.com Website: www.lumecon.com Phone: 248-477-5009 • Copyright © 2026 Lumecon LLC. All Rights Reserved.

Note: Specifications and photometric data are subject to change at any time without notice. Please see www.lumecon.com for current specifications and documentation.

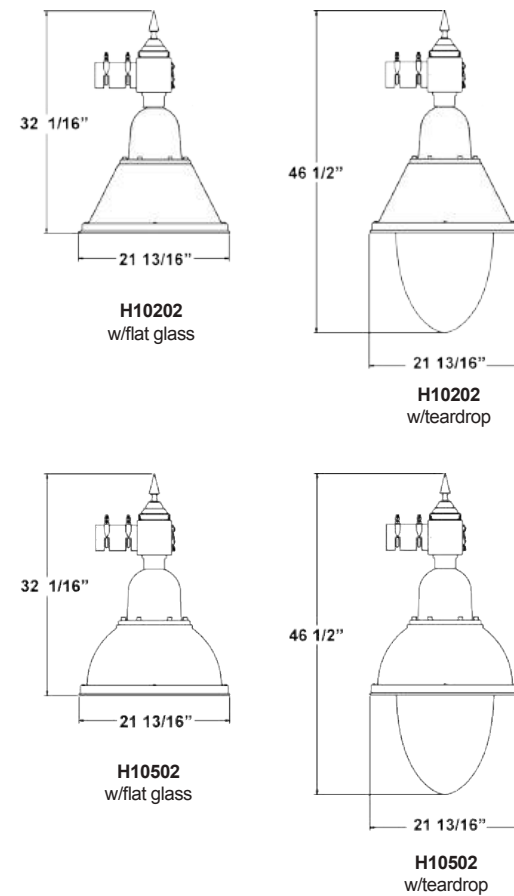


Shown with:
H10502 Style
BLK - Black Finish
FG - Flat Glass Lens
RNDC - Round Cap Cover
RS - Rosette

FEATURES

- 2200K, 2700K, 3000K, 4000K or 5000K Color Temperatures
- 20kA / 40kV Extreme Surge Suppressor
- Powered by the Lumecon L-RETRO-T Light Engine
- Enhanced Thermal Dissipation System provides maximum thermal dissipation
- All LEDs are rated for a minimum of 100,000 hours of continuous operation at ambient temperatures from -40°F/-40°C to 115°F/46°C
- 120-277V or 347-480V Input Voltage
- Die-cast aluminum fitter housing with textured or 60% gloss polyester powder coat finishes for maximum durability
- DLC® qualified lite engine and ETL Listed to UL 1598 / 8750 and CSA 22.2 No. 250 for Wet Locations and BABA / BAA compliant
- 10-Year L70 performance-based warranty

For Lumen Packages see current spec sheet



ORDERING INFORMATION

LMTD-SM
Example Part Number: LMTD-SM-40-DB-T3-FG-1-40-TLR

MODEL	STYLE	WATTAGE	PAINT COLOR	DISTRIBUTION	LENS	VOLTAGE	CCT	SIDE MOUNT ADAPTER OPTIONS
LMTD-SM	H10202	20 - 20 Watts	See Samples Below	T2 - Type II	FG - Flat Glass	1 - 120-277V	22 - 2200K	TLR – 7-Pin Twist Lock Receptacle
	H10502	30 - 30 Watts		T3 - Type III	TD - Tear Drop	2 - 347-480V	27 - 2700K	TLRC – Twist Lock Receptacle with Cast Aluminum Cover
		40 - 40 Watts		T4 - Type IV	30 - 3000K	RNDC – Round Cap Cover		
		50 - 50 Watts		T5 - Type V	40 - 4000K	SPK – Decorative Spike Cap		
		60 - 60 Watts			50 - 5000K			
		70 - 70 Watts						
		80 - 80 Watts						
		90 - 90 Watts						
		100 - 100 Watts						
		110 - 110 Watts						

Options & Accessories

- RS - Rosettes
- SC - Polycarbonate Shorting Cap
- PC1 - 120v-277v Twist Lock Photocell (10-year warranty)
- PC2 - 347v-480v Twist Lock Photocell (10-year warranty)
- DIM4 - 105-305 VAC, 50/60 Hz with ten position field adjustable selector switch
- DIM4-HV - High Voltage 312-530 VAC, 50/60 Hz with ten position field adjustable selector switch
- DIM4-CD - Constant all-night Dimming
- DIM4-CD-HV - Constant all-night Dimming, 315-530 VAC 50/60Hz
- DIM4-CUL - 120 VAC, 50/60 Hz, cUL-certified version with gray cover
- DIM4-ALC - Adaptive Lighting Control with a 2% per year incremental increase to compensate for an aging fixture
- DIM3-XX - Factory set dimming schedule (10 position selector switch not available)

Available Finishes



Email: sales@lumecon.com Website: www.lumecon.com Phone: 248-477-5009 • Copyright © 2026 Lumecon LLC. All Rights Reserved.
Note: Specifications and photometric data are subject to change at any time without notice. Please see www.lumecon.com for current specifications and documentation.



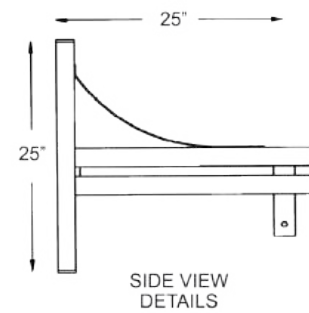
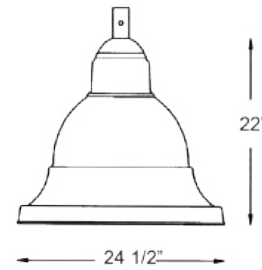
Email: sales@lumecon.com Website: www.lumecon.com Phone: 248-477-5009 • Copyright © 2026 Lumecon LLC. All Rights Reserved.
Note: Specifications and photometric data are subject to change at any time without notice. Please see www.lumecon.com for current specifications and documentation.



FEATURES

- 2200K, 2700K, 3000K, 4000K or 5000K Color Temperatures
- 20kA / 40kV Extreme Surge Suppressor
- Enhanced Thermal Dissipation System provides maximum thermal dissipation
- All LEDs are rated for a minimum of 100,000 hours of continuous operation at ambient temperatures from -40°F/-40°C to 115°F/46°C
- 120-277V or 347-480V Input Voltage
- Die-cast aluminum fitter housing with textured or 60% gloss polyester powder coat finishes for maximum durability
- ETL Listed to UL 1598 / 8750 and CSA 22.2 No. 250 for Wet Locations and BABA / BAA compliant
- 10-Year L70 performance-based warranty

For Lumen Packages see current spec sheet



WEIGHT:
 Luminaire: 15 lbs. (6.8 kg)
 T24 - 24" Bracket/Arm: 13.2 lbs. (6.0 kg)
 T36 - 36" Bracket/Arm: 16.9 lbs. (7.7 kg)
 T48 - 48" Bracket/Arm: 21.3 lbs. (9.7 kg)

ORDERING INFORMATION

LM-TAH
 Ordering Example: LM-TAH-60-CC-T3-1-22-T24-7P

Model	Wattage	Paint Color	Distribution	Voltage	Color Temperature	Arm Bracket	Controls Ready
LM-TAH	30 - 30 Watts	B - Black	T2 - Type II	1 - 120-277V	22 - 2200K	T24 - 24"	7P - 7-Pin Receptacle ¹
	60 - 60 Watts	CC - Custom Color	T3 - Type III	2 - 347-480V	27 - 2700K	T36 - 36"	Blank - Without Controls
	80 - 80 Watts		T4 - Type IV		30 - 3000K	T48" - 48"	
	100 - 100 Watts		T5 - Type V		40 - 4000K	Blank - Without Arm	
	120 - 120 Watts				50 - 5000K		
	160 - 160 Watts						
	CW - Custom Wattage						

Options & Accessories

- PC1 - 120-277V Twist Lock Photocell
- PC2 - 347-480V Twist Lock Photocell
- OC1 - On/Off Sensor
- OC2 - Dim/High Occupancy Sensor
- OC3 - On/Off Sensor w/Photocell
- OC4 - Dim/High w/Photocell

Notes:
 1. 7-Pin Receptacle only available with Arm Bracket



Email: sales@lumecon.com Website: www.lumecon.com Phone: 248-477-5009 • Copyright © 2026 Lumecon LLC. All Rights Reserved.
 Note: Specifications and photometric data are subject to change at any time without notice. Please see www.lumecon.com for current specifications and documentation.



Email: sales@lumecon.com Website: www.lumecon.com Phone: 248-477-5009 • Copyright © 2026 Lumecon LLC. All Rights Reserved.
 Note: Specifications and photometric data are subject to change at any time without notice. Please see www.lumecon.com for current specifications and documentation.



- FEATURES**
- 3000K, 4000K or 5000K Color Temperatures
 - Energy savings up to 70% vs. comparable metal halide bollards
 - Sturdy 8" aluminum shaft matches existing bollard dimensions with three point mounting or a retrofit four-point solution
 - Optional cold temperature (-20C) emergency battery backup
 - Asymmetric and Symmetric optical distributions
 - Designed with zinc-infused thermoset powder coat finish providing superior resistance to corrosion and weathering
 - Uniform pathway illumination
 - Vandal resistant polycarbonate lens
 - UL Wet Location
 - BAA compliant
 - 10-Year L70 performance-based warranty



360° Down light Illumination for optimal safety and clearance

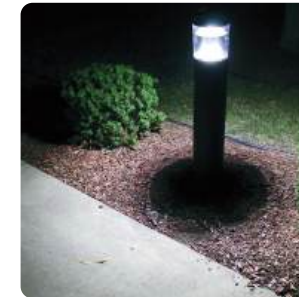


Bollard Retrofit Base Kit adapts to new bollards to most existing bolt patterns

The Lumecon LM-BOL walkway bollard is built with a robust die-cast aluminum housing and vandal resistant polycarbonate lens. Available in a variety of styles from traditional to contemporary and some design options available in clear glass refractor, cone reflector or internal louvers. In addition, we have a Bollard Retrofit Base Kit that adapts to new bollards to most existing bolt patterns.

BOLLARDS ARE THE PERFECT SOLUTION FOR:

- Entrance Walkways
- Retail Centers
- Industrial Parks
- Schools and University Pathways
- Public Transit and Airports
- Office Buildings and Medical Facilities



- Multitude of Styles:
- Architectural
 - Spider
 - Decorative
 - Full Cut-off
 - Dome
 - Stainless Steel
 - Round & Square Cutoff
 - Louvres

For Lumen Packages see current product spec sheets

Poles & Accessories

Lumecon's supplier is an industry leading and trusted source for aluminum and steel light poles and accessories. Specified and used in a variety of Street, Area, Roadway, Utility, Municipal, Pedestrian, and Smart City lighting applications, our products include Anchor Base Poles, Direct Buried Poles, Decorative Poles, Hinged Poles, Small Cell 5G Antenna Poles, Solar Poles, and Camera Poles, along with a variety of Light Pole Arms, Brackets, and Light Pole Accessories.

POLES

Heavy-wall, spun aluminum for the clean contemporary look, or the cast aluminum for the decorative period appearance. Poles can be drilled to accept side mount fixtures, or supplied with tenon for post top fixtures. Uniform channel system on all sides of the shaft gives a unique appearance while allowing for a wide range of uses with the various brackets offered.

- Steel Poles
- Aluminum Poles
- Decorative Bases & Poles
- SMART Pole Solutions
- Pole Accessories
- Pole Arms
- Breakaway Poles
- Pole Solutions

All pole products come complete with the state-of-the-art, multi-stage finishing process.



BRACKETS

We supply a wide array of cross mounted, post-top mounted, and up-sweep brackets to fit any of our poles and some existing poles. Our standard bracket selection is just the beginning; we can build custom brackets to meet any need. All brackets can be powder coated in any of our 16 standard colors – with custom color matches always available.

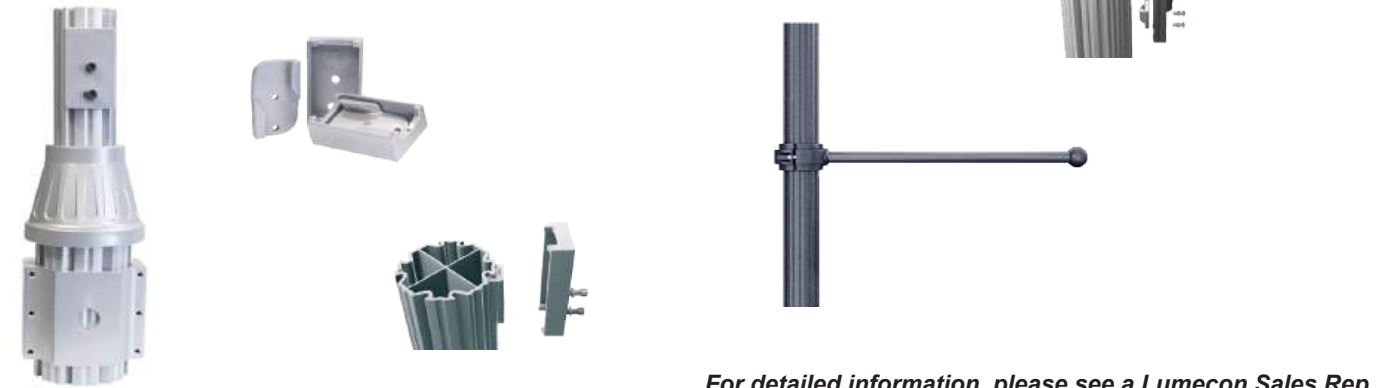
- Square Mounting Brackets
- Upsweep Brackets
- Pole Top Reducers
- Round Pole Top Adapter Brackets
- Side Mounted Cross Arm Brackets
- Tapered Elliptical Arm Brackets
- LED Cross Arm Brackets
- Pole Top Tenon Adapters
- Cross Arm Brackets for Steel Poles
- Multiple Mounting Cross Arm Brackets
- Top Mounted Cross Arm Brackets
- Pole Top Floodlight Mounting Brackets
- Pole Top Bullhorn Brackets
- Spoke Brackets



ACCESSORIES & OPTIONS

Our poles can accommodate almost any type of accessory, from cameras and speakers to sensors and flags, and we have a long list options to meet your specific needs – from the standard coupling or plate to banner arms and flag or flower pot holders.

- Break Away Couplings
- Electric Lowering Winch
- Pole Top Tenon Adapters
- Two-Tier Adapter Plate
- Pole Caps
- Banner Arm
- ABS Base Covers
- Lowering Winch
- Flag Holder
- Transformer Bases
- Camera Mounting Options
- Welded Bracket
- Universal Fixture Mount
- Ground Fault Circuit Interrupter
- Mounting Bracket



For detailed information, please see a Lumecon Sales Rep

Wood Poles

Lumecon Wood Poles are crafted from naturally durable Alaskan yellow cedar or southern yellow pine, offering superior strength, resistance to decay, and insect attacks without harmful chemical preservatives. Engineered to meet high structural standards, these eco-friendly poles provide a safe and sustainable lighting solution for outdoor environments with an up 30' fixture mounting height.



- Pole Material: Laminated Alaskan yellow cedar or southern yellow pine, moisture-resistant, ANSI A190.1 compliant.
- Section Size: 5" x 5.5", 6.75" x 6.75", 8.5" x 8.25". Lengths in 1' increments.
- Wire Raceway: 1" x 1.25" center wire raceway.
- Pole Top: MC tenon tops: 2.375" or 3" O.D. cylinders. PC protective caps for side mounts. Pre-drilled holes available.
- Foundation: BP base plates, AC cover skirts, and fasteners included. Steel plates, flat black powder-coated. Anchor bolts by others.
- Texture: Smooth or rough sawn.
- Edges: Eased, radiused, or chamfered.
- Staining: Factory stained or field stained/painted.



Decorative Bases

Industry-Leading Assortment of Structural, Clamshell and Hybrid Clamshell Decorative Bases

Our decorative bases makes it easy to meet any period or contemporary lighting specification. Offering a variety of heights, widths and finishes, the decorative bases options will complete any project.


























Structural
Structural Aluminum Bases are welded to the bottom of the smooth or fluted shaft, contributing structural integrity to the pole.



Clamshell
Clamshell Aluminum Bases are 2-Piece designs that are assembled and bolted around the base of the installed pole.



Hybrid Clamshell
Hybrid Clamshell Aluminum Bases provide unique style options by combining a 2-Piece base with other decorative design features.

 <p>STRUCTURAL</p> <p>H-Abingdon Base Square: 11.5" 4" Butt Diameter</p>	 <p>STRUCTURAL</p> <p>H-American Base Diameter: 12" 4"-5" Butt Diameters</p>	 <p>STRUCTURAL</p> <p>H-Arlen 13 Base Diameter: 13" 3"-4" Butt Diameters</p>	 <p>STRUCTURAL</p> <p>H-Arlen 17 Base Diameter: 17" 4"-5"-6" Butt Diameters</p>	 <p>STRUCTURAL</p> <p>H-Arlen 17 Modified Base Diameter: 17" 4"-5"-6" Butt Diameters FHWA Breakaway</p>	 <p>STRUCTURAL</p> <p>H-Arlen 20 Base Diameter: 20" 6"-7"-8" Butt Diameters FHWA Breakaway</p>	 <p>STRUCTURAL</p> <p>H-Bristol Base Diameter: 14.5" 4"-5"-6" Butt Diameters</p>
 <p>STRUCTURAL</p> <p>H-Charleston Base Square: 8.5" 4" Butt Diameter</p>	 <p>STRUCTURAL</p> <p>H-Georgetown Base Diameter: 10.125" 4"-5" Butt Diameters FHWA Breakaway</p>	 <p>STRUCTURAL</p> <p>H-Grand Base Square: 11.5" 4"-5" Butt Diameters FHWA Breakaway</p>	 <p>STRUCTURAL</p> <p>H-Gregory Base Width: 20" 5"-6"-7"-8" Butt Diameters</p>	 <p>STRUCTURAL</p> <p>H-Gunn Base Diameter: 12" 4" Butt Diameter</p>	 <p>STRUCTURAL</p> <p>H-Homewood Base Square: 11.125" 4" Butt Diameter</p>	 <p>STRUCTURAL</p> <p>H-Homewood Large Base Square: 14" 4"-5"-6" Butt Diameters FHWA Accepted</p>
 <p>STRUCTURAL</p> <p>H-Kingston Base Width: 10.75" 4" Butt Diameter</p>	 <p>STRUCTURAL</p> <p>H-Levin Base Diameter: 13.125" 4" Butt Diameter</p>	 <p>STRUCTURAL</p> <p>H-Lincoln Base Diameter: 12" 4"-5" Butt Diameters</p>	 <p>STRUCTURAL</p> <p>H-Morgan Base Diameter: 13.5" 4" Butt Diameter</p>	 <p>STRUCTURAL</p> <p>H-Saturn Base Diameter: 20" 5"-6"-7" Butt Diameters</p>	 <p>STRUCTURAL</p> <p>H-Trenton Base Diameter: 16" 4"-5"-6" Butt Diameters</p>	 <p>STRUCTURAL</p> <p>H-Winchester Base Square: 11" 4"-5" Butt Diameters FHWA Breakaway</p>
 <p>STRUCTURAL</p> <p>H-York 17 Diameter: 17" 4"-5"-6" Butt Diameters FHWA Breakaway</p>	 <p>STRUCTURAL</p> <p>H-York 20 Diameter: 20" 6"-7"-8" Butt Diameters</p>					

Direct Buried Options Available in All Decorative Bases.





CLAMSHELL
H-American
Base Diameter: 11"-12"
4"-5" Butt Diameters

CLAMSHELL
H-Arlen 17
Base Diameter: 17"
4"-5" Butt Diameters

CLAMSHELL
H-Arlen 20
Base Diameter: 20"
6"-7"-8" Butt Diameters

CLAMSHELL
H-Arlen 24
Base Diameter: 24"
7"-8"-9"-10" Butt Diameters

CLAMSHELL
H-Arlen 30
Base Diameter: 30"
8"-9"-10"-12" Butt Diameters

CLAMSHELL
H-Aubrey
Base Width: 26"
5"-6"-7"-8" Butt Diameters

CLAMSHELL
H-Covington
Base Diameter: 20"
7"-8"-9"-10" Butt Diameters



CLAMSHELL
H-Homewood
Base Diameter: 14"
4"-5"-6" Butt Diameters

CLAMSHELL
H-Jefferson 15
Base Diameter: 15"
4"-5"-6" Butt Diameters

CLAMSHELL
H-Jefferson 18
Base Diameter: 18"
5"-6"-7"-8" Butt Diameters

CLAMSHELL
H-Jefferson 21
Base Diameter: 21"
9"-10" Butt Diameters

CLAMSHELL
H-Kai
Base Diameter: 18"
5"-6"-7"-8" Butt Diameters

CLAMSHELL
H-Mayan
Base Diameter: 18"
4"-5" Butt Diameters

CLAMSHELL
H-Nationwide
Base Diameter: 22"
7"-8" Butt Diameters



CLAMSHELL
H-Palms
Base Square: 22"
6"-7"-8"-9"-10" Butt Diameters

CLAMSHELL
H-Redding
Base Diameter: 20"
6"-7"-8"-9" Butt Diameters

CLAMSHELL
H-Regal
Base Width: 16"
5"-6"-7"-8" Butt Diameters

CLAMSHELL
H-Rio
Base Diameter: 27"
8"-9"-10"-12" Butt Diameters

CLAMSHELL
H-Staunton
Base Diameter: 16"
6"-7"-8" Butt Diameters

CLAMSHELL
H-Sterling
Base Width: 17"
4"-5" Butt Diameters

CLAMSHELL
H-Yale 15
Base Diameter: 15"
4"-5"-6" Butt Diameters



CLAMSHELL
H-Yale 17
Base Diameter: 17"
4"-5"-6" Butt Diameters
FHWA Breakaway

CLAMSHELL
H-York 17
Base Diameter: 17"
4"-5"-6" Butt Diameters

CLAMSHELL
H-York 20
Base Diameter: 20"
6"-7"-8" Butt Diameters

CLAMSHELL
H-York 24
Base Diameter: 24"
6"-7"-8"-9" Butt Diameters

CLAMSHELL
H-York 24 Floral
Base Diameter: 24"
6"-7"-8"-9" Butt Diameters

CLAMSHELL
H-York 24 Modified
Base Diameter: 24"
8"-9"-10"-12" Butt Diameters

CLAMSHELL
H-York 24 Non-Floral
Base Diameter: 24"
7"-8"-9" Butt Diameters



HYBRID CLAMSHELL
H-Chattanooga
Base Diameter: 17"
5" Butt Diameter

HYBRID CLAMSHELL
H-Desoto
Base Diameter: 18"
7" Butt Diameter

HYBRID CLAMSHELL
H-Liberty
Base Diameter: 18"
8" Butt Diameter

HYBRID CLAMSHELL
H-Silhouette
Base Diameter: 18"
8" Butt Diameter

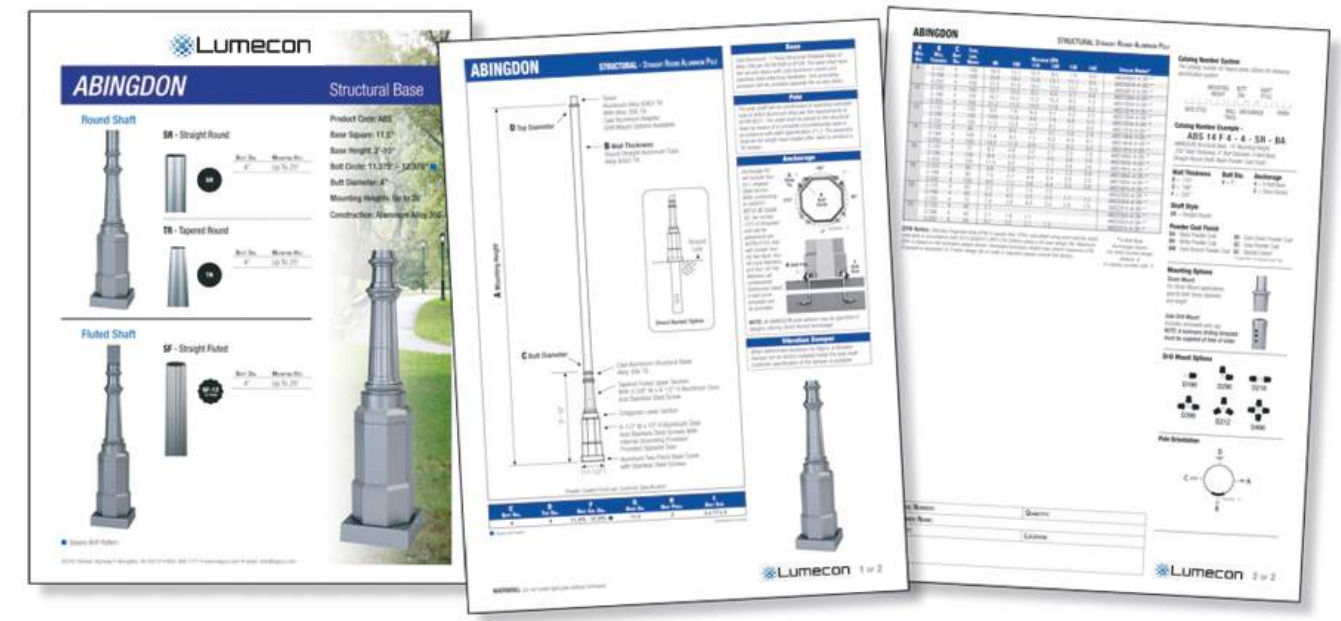
HYBRID CLAMSHELL
H-Stafford 15
Base Diameter: 15"
6" Butt Diameter

HYBRID CLAMSHELL
H-Stafford 18
Base Diameter: 18"
8" Butt Diameter
FHWA Breakaway

HYBRID CLAMSHELL
H-Stafford 21
Base Diameter: 21"
10" Butt Diameter



For detailed information, please see a Lumecon Sales Rep



58 PDF Catalog Pages

386 Specification Sheets

6,954 Standard Product Combinations
 Base Details, Pole Shaft Details, and EPA Tables for
 Straight Round, Tapered Round, Straight Fluted, and Tapered Fluted Options.



*Pictured:
LM-AMB*

Lumecon Midtown Decorative Series

- Decorative Post-Tops
- Architectural Post-Tops
- Carriage Post-Tops
- Hang-Straight Teardrop
- Side-Mount Teardrop
- Walkway Bollards

The Leader in Decorative Solutions

Elevate your surroundings with the Lumecon Midtown Decorative Series, where classic and modern design meet cutting-edge LED technology, wireless controls, and robust 40kV surge protection. From charming main streets to vibrant downtowns, serene parks, and bustling campuses, our fixtures enhance any environment. With customized wattage, precise light distribution, and our patented Heat Sink Management System, we offer tailored solutions. Plus, explore our range of bollards to add the perfect finishing touch to complete your lighting project.

Order Today! 248-477-5009

 **Lumecon**
sales@lumecon.com • www.lumecon.com

Copyright © 2026 Lumecon LLC. All Rights Reserved. Catalog/Decorative_04072026