

PROJECT NAME: _____

CATALOG #: _____

NOTES: _____

DATE: _____

BLS-WSL WALL SCONCE LIGHT

The BLS-WSL series, in one SKU, amazes with its versatility. It provides 3 color temps, 4 lumen levels, 3 beam angles and 3 light modes. Its sleek design fits places like luxury villas, clubs, museums, hotels, and highrise exteriors, corridors and lobbies, bringing sophistication and an elegant, peaceful space.



SPECIFICATIONS FEATURES

Color Temperature Tuning: Light engines are available with adjustable CCT, and the CCT can be changed to 3000K/4000K/5000K

Construction: Rugged cast-aluminum housing with bronze powder paint for outdoor applications

Optics: Scalable Lumen Packages from 1,140 to 5,850 Lumens. Optional for three beam angle adjustable (50°, 60°, 70°).

Electrical: Four adjustable Wattage levels available for each model

CRI: 80

Voltage: 120-277V

Dimming: 0-10V dimming and dimming range from 10%-100%

Lifespan: Estimated 50,000 Hour based on IES LM-80 results and TM-21 calculations.

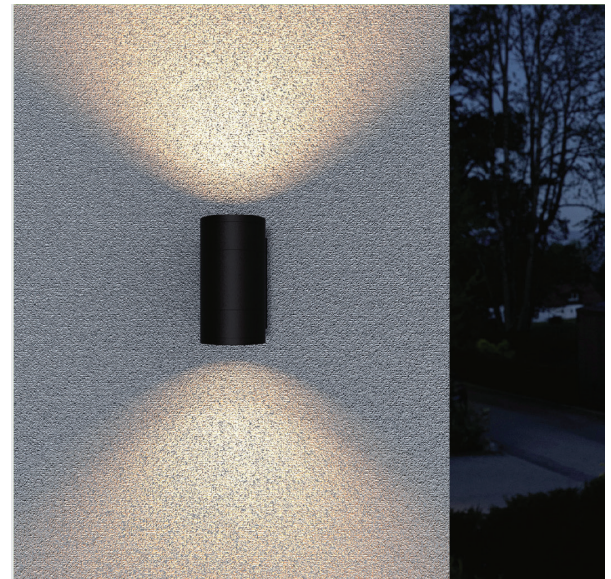
Operating Temperature: -40°C to 50°C (-40°F - + 122°F).

Power Factor: > 0.90, THD <20%

Listings: cULus wet location listed

Warranty: 5 year warranty

NOTE- Actual performance may differ as a result of end-user environment and application. All values are design or typical values, measured under laboratory conditions at 25°C(±5°C) specifications subject to change without notice.

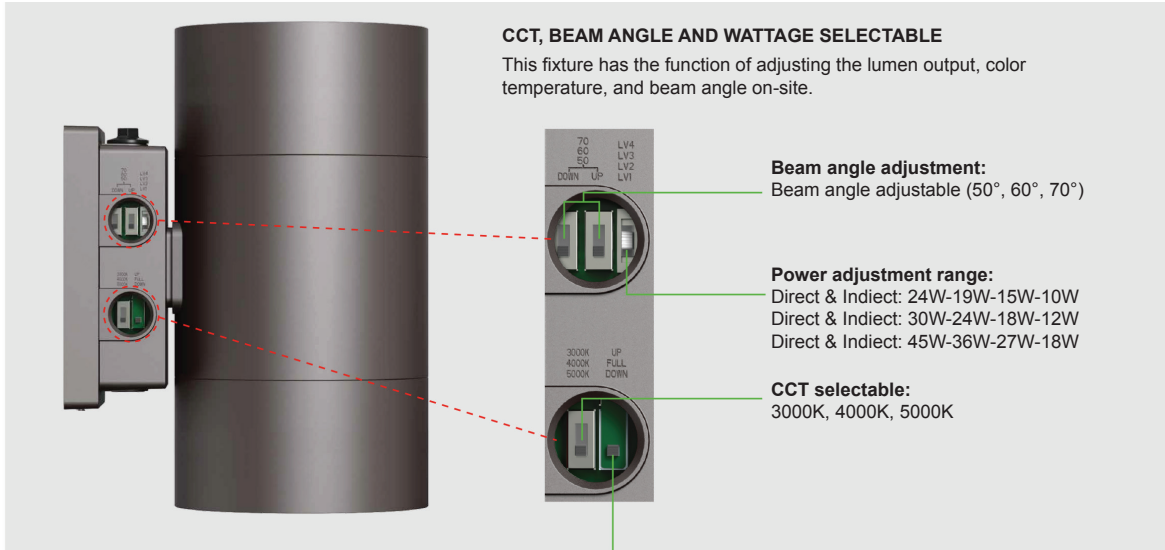


ORDERING GUIDE

SAMPLE: BLS-WSL-3-24-27V-DDK-B-PC-AD-AT

MODEL	SIZE	WATTAGE	VOLTAGE	CCT	FINISH	PHOTOCELL	CCT & POWER ADJUSTABLE	BEAM ANGLE ADJUSTBLE
BLS-WSL	3 3"	24 24W	27V 120-277V	DDK CCT Adjustable Color Temperature	B Black CC Custom Color	PC With Photocell	AD With Adjustment Dial	AT With Adjustable Beam Angle
	4 4"	30 30W						
	6 6"	45 45W						

STRUCTURAL DESIGN



CCT, BEAM ANGLE AND WATTAGE SELECTABLE
 This fixture has the function of adjusting the lumen output, color temperature, and beam angle on-site.

Beam angle adjustment:
 Beam angle adjustable (50°, 60°, 70°)

Power adjustment range:
 Direct & Indirect: 24W-19W-15W-10W
 Direct & Indirect: 30W-24W-18W-12W
 Direct & Indirect: 45W-36W-27W-18W

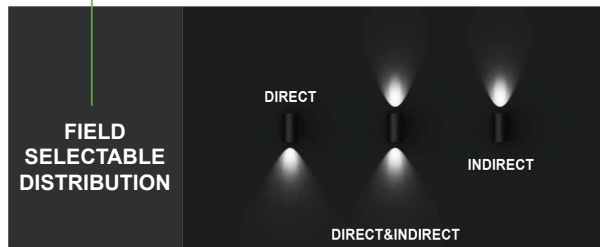
CCT selectable:
 3000K, 4000K, 5000K

PHOTOCELL CAP

Disable



Enable

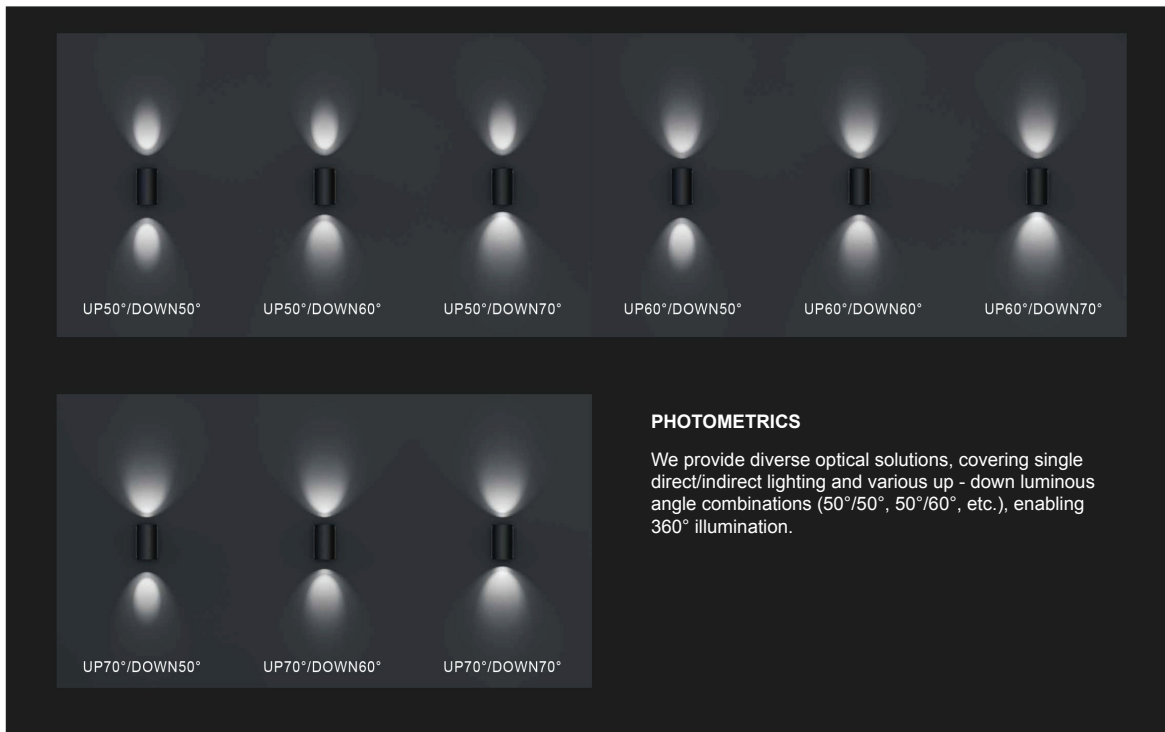
FIELD SELECTABLE DISTRIBUTION

DIRECT

INDIRECT

DIRECT&INDIRECT

PHOTOMETRICS

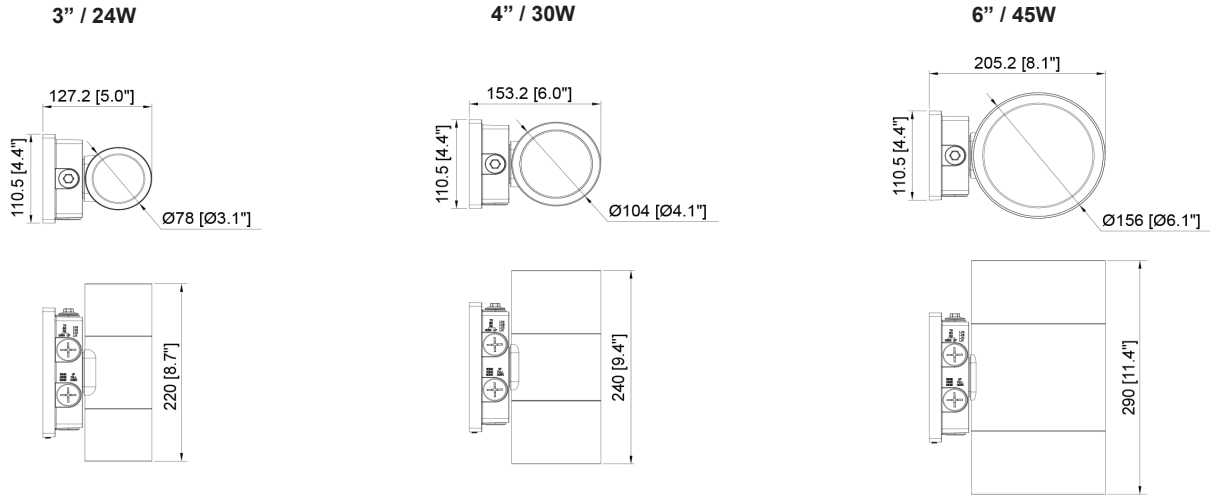


UP50°/DOWN50° UP50°/DOWN60° UP50°/DOWN70° UP60°/DOWN50° UP60°/DOWN60° UP60°/DOWN70°

UP70°/DOWN50° UP70°/DOWN60° UP70°/DOWN70°

PHOTOMETRICS
 We provide diverse optical solutions, covering single direct/indirect lighting and various up - down luminous angle combinations (50°/50°, 50°/60°, etc.), enabling 360° illumination.

DIMENSIONS



PERFORMANCE DATA

BLS-WSL @ 3" 24W (Full)							
SETTING	SYSTEM WATTS	3000K (80CRI)		4000K (80CRI)		5000K (80CRI)	
		LUMENS	LPW	LUMENS	LPW	LUMENS	LPW
LV1	24W	2600 lm	108lm/W	2900 lm	121lm/W	2760 lm	115lm/W
LV2	19W	2080 lm	109lm/W	2350 lm	124lm/W	2230 lm	117lm/W
LV3	15W	1680 lm	112lm/W	1900 lm	126lm/W	1800 lm	119lm/W
LV4	10W	1140 lm	114lm/W	1280 lm	128lm/W	1220 lm	122lm/W

BLS-WSL @ 4" 30W (Full)							
SETTING	SYSTEM WATTS	3000K (80CRI)		4000K (80CRI)		5000K (80CRI)	
		LUMENS	LPW	LUMENS	LPW	LUMENS	LPW
LV1	30W	3150 lm	105lm/W	3660 lm	122lm/W	3400 lm	113lm/W
LV2	24W	2570 lm	107lm/W	2980 lm	124lm/W	2800 lm	116lm/W
LV3	18W	1980 lm	110lm/W	2270 lm	126lm/W	2100 lm	118lm/W
LV4	12W	1340 lm	112lm/W	1550 lm	129lm/W	1440 lm	120lm/W

BLS-WSL @ 6" 45W (Full)							
SETTING	SYSTEM WATTS	3000K (80CRI)		4000K (80CRI)		5000K (80CRI)	
		LUMENS	LPW	LUMENS	LPW	LUMENS	LPW
LV1	45W	4900 lm	109lm/W	5850 lm	130lm/W	5400 lm	120lm/W
LV2	36W	4030 lm	112lm/W	4790 lm	133lm/W	4430 lm	123lm/W
LV3	27W	3080 lm	114lm/W	3670 lm	136lm/W	3380 lm	125lm/W
LV4	18W	2100 lm	117lm/W	2480 lm	138lm/W	2300 lm	127lm/W

ELECTRICAL DATA

Number Of Drivers	Driver Current(mA)	Nominal Power(W)	INPUT VOLTAGE(V)	CURRENT (Amps)
1	430	24	120	0.20
		24	208	0.12
		24	240	0.10
		24	277	0.09
1	470	30	120	0.25
		30	208	0.14
		30	240	0.13
		30	277	0.11
1	730	45	120	0.38
		45	208	0.22
		45	240	0.19
		45	277	0.16