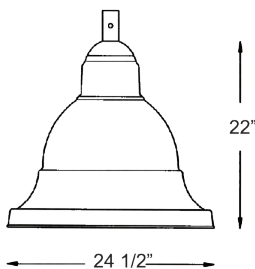




Description

Lumecon Midtown Tahoe Bell Fixture, complete with decorative variable-size arm brackets, is a robust, classically designed decorative fixture. The LM-TAH combines a traditional, elegant form factor with a best-in-class, 100,000-hour LED luminaire lifetime rating. The LM-TAH is purpose-built, boasting exceptional efficacy, custom optics control, unmatched uniformity, and light spread. The LM-TAH can also adapt to any control system or mesh network integration. Perfect for DOT, Streetscape, and Downtown Decorative Lighting, the LM-TAH combines USA-made technology with long-term payback. Applications include parking lots, roadways, pathways, and general area lighting.

Dimensions



WEIGHT:

Luminaire: 15 lbs. (6.8 kg)
T24 - 24" Bracket/Arm: 13.2 lbs. (6.0 kg)
T36 - 36" Bracket/Arm: 16.9 lbs. (7.7 kg)
T48 - 48" Bracket/Arm: 21.3 lbs. (9.7 kg)

Technical Specifications

DIMMING: 0-10V standard dimming capability.

HOUSING: Spun aluminum housing with a polyester powder-coated finish for maximum durability. The base aluminum material is prepared using an environmentally friendly non-chrome 2-step surface cleaning and passivation process. The process yields a more durable conversion layer than traditional chromate conversion coatings and enables maximum adhesion of the powder coating to the aluminum surface.

Arm / Tenon Interface (Mounting)

The Tahoe luminaire is supplied with an integral male tenon and shall be mounted to a bracket or arm incorporating a compatible female tenon receiver. The female tenon shall provide a minimum inside diameter of 2.165 inches, a minimum length of 5.5 inches, and a minimum wall thickness of 0.197 inches, and shall secure the luminaire using adjustment screws and through-bolts. The Tahoe male tenon includes a factory through-hole intended for a 5/16" x 3.5" through-bolt, located nominal 1.0 inch down from the top side of the male tenon (as oriented in the mounting detail). The mating arm/receiver shall provide a corresponding through-hole to accept the through-bolt and secure the luminaire. When the arm or bracket is not supplied by Lumecon, the arm manufacturer shall form the female tenon using either a custom-machined sleeve or standard pipe. If standard pipe is used, the pipe size, schedule, outside diameter (OD), inside diameter (ID), wall thickness, and length shall be clearly identified to verify compatibility with the Tahoe luminaire prior to fabrication.

EFFECTIVE PROJECTED AREA (EPA):

T24 - 24" Bracket/Arm: 0.29 ft²
T36 - 36" Bracket/Arm: 0.33 ft²
T48 - 48" Bracket/Arm: 0.37 ft²

COLOR TEMPERATURE: 2200K, 2700K, 3000K, 4000K, and 5000K available.

LED LIFETIME: All LED's are rated for a minimum of 100,000 hours of continuous operation at ambient temperatures from -40°F/-40°C to 115°F/46°C.

COLOR RENDERING INDEX (CRI): Minimum of 70 or higher.

CUSTOM OPTICS: Lumecon meticulously engineered premium acrylic optical lenses to maximize the distribution and uniformity of light while minimizing cost. Our arrays distribute light at least 21% further and with 29% more uniformity than leading competitors. Lumecon custom lenses create a uniform, well-lit environment that mitigates illuminance "hot spots" and use less wattage than typical LED area lights.

SURGE PROTECTION: Thermally protected 20kA/ 40kV varistor type surge suppressor is included and meets ANSI C136.2-2015: Extreme Level. Also meets IEC61643-11 Class II / EN61643-11 Type 2, and US Dept of Energy MSSLC Model Spec for surge protection. The device is wired in series with the luminaire input power in order to interrupt power to the luminaire when consumed, protecting the LED power supply and circuit boards from additional electrical surges.

LUMECON ETD™ SYSTEM: The enhanced thermal dissipation system engines are thermally bonded to provide maximum thermal dissipation to the exterior of the fixture to ensure long life. To protect the light engine panel from moisture and corrosion, the LED light engine panel is uniformly coated with a UV stabilized acrylic polymer resin that meets MIL and ASTM dielectric standards, UL, and IPC standards for flammability, moisture resistance and thermal shock.

CERTIFICATION DATA: ETL Listed to UL 1598, UL 8750 and CSA 22.2 No. 250. *Full compliance and test documentation is available for TM-21, LM-79, LM-80, ETL Listing to UL1598 and UL 8750. IP66 Rating Pending.

BUY AMERICAN ACT: The product is assembled in the USA and meets the Buy America(n) government procurement requirements under FAR, DFARS, and DOT regulations.

WARRANTY: 10 Year L70 performance based warranty. For full warranty terms, please visit our website: www.lumecon.com



Intertek

Fixture Ordering Information

LM-TAH Options / Ordering Example: LM-TAH-60-CC-T3-1-22-T24-7P

Model	Wattage	Paint Color	Distribution	Voltage	Color Temperature	Arm Bracket / Mount	Controls Ready
LM-TAH	30 - 30 Watts	B - Black	T2 - Type II	1 - 120-277V	22 - 2200K	T24 - 24"	7P ¹ - 7-Pin Receptacle
	60 - 60 Watts	CC - Custom Color	T3 - Type III	2 - 347-480V	27 - 2700K	T36 - 36"	Blank - Without Controls
	80 - 80 Watts		T4 - Type IV		30 - 3000K	T48" - 48	
	100 - 100 Watts		T5 - Type V		40 - 4000K	SMADC – Side Mount Arm Domed Cap	
	120 - 120 Watts				50 - 5000K	SMA7P – Side Mount Arm 7-Pin receptacle	
	160 - 160 Watts					SMAF – Side Mount Arm w/ Finial	
	CW - Custom Wattage					CA - Custom Arm	
					Blank - Without Arm		

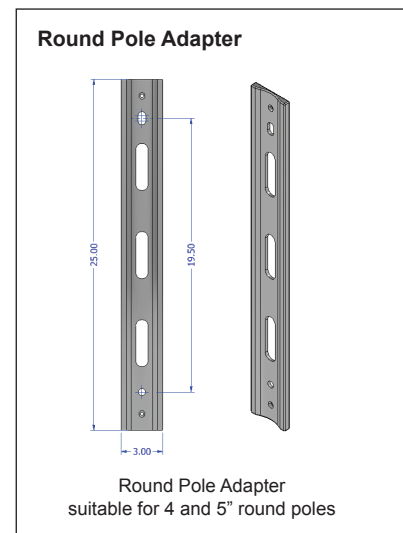
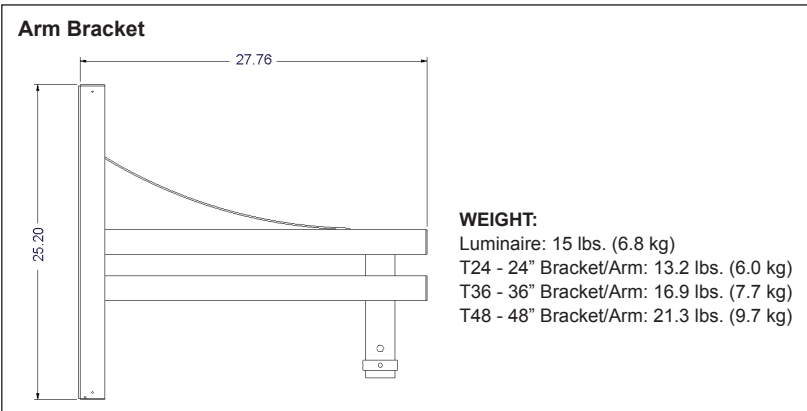
Options & Accessories

- PC1 - 120-277V Twist Lock Photocell
- PC2 - 347-480V Twist Lock Photocell
- OC1 - On/Off Sensor
- OC2 - Dim/High Occupancy Sensor
- OC3 - On/Off Sensor w/Photocell
- OC4 - Dim/High w/Photocell
- RPA - Round Pole Adapter

Ideas for Custom Arms, download [Decorative Arm Brochure here](#)

Ideas for Custom Pole and Base: download [Decorative Base Catalog here](#)

Notes:
1. 7-Pin Receptacle only available with Arm Bracket



Performance Data

Model	Distribution Type	Wattage	2200K		2700K		3000K		4000K		5000K	
			Lumens	Efficacy	Lumens	Efficacy	Lumens	Efficacy	Lumens	Efficacy	Lumens	Efficacy
LM-TAH-30	Type 2	30	3769	126	3816	127	3892	141	4309	144	4314	145
	Type 3	30	3789	126	3837	128	3913	142	4353	145	4337	146
	Type 4	30	3758	125	3805	127	3881	141	4309	144	4302	145
	Type 5	30	3759	125	3806	127	3882	141	4353	145	4303	146
LM-TAH-60	Type 2	60	7010	117	7098	118	7604	132	8015	134	8553	135
	Type 3	60	7048	117	7137	119	7646	132	8096	135	8554	136
	Type 4	60	6990	116	7077	118	7583	131	8015	134	8529	135
	Type 5	60	6992	117	7080	118	7585	131	8096	135	8531	136
LM-TAH-80	Type 2	80	8692	109	8802	110	9786	122	9939	124	10009	125
	Type 3	80	8740	109	8850	111	9840	123	10039	125	10110	126
	Type 4	80	8667	108	8776	110	9758	122	9939	124	10009	125
	Type 5	80	8670	108	8779	110	9761	122	10039	125	10110	126
LM-TAH-100	Type 2	100	13346	133	13534	135	14938	146	15043	147	15043	148
	Type 3	100	13398	134	13587	136	15023	147	14737	147	19841	148
	Type 4	100	13319	133	13506	135	14893	146	14647	146	19604	147
	Type 5	100	13321	133	13509	135	14898	146	14650	147	19613	147
LM-TAH-120	Type 2	120	15214	127	15429	129	14938	139	16733	139	17766	140
	Type 3	120	15274	127	15489	129	15023	139	16800	140	17907	141
	Type 4	120	15183	127	15397	128	14893	138	16697	139	17693	140
	Type 5	120	15186	127	15400	128	14898	138	16701	139	17701	140
LM-TAH-160	Type 2	160	19271	120	19543	122	21090	132	21195	132	21300	133
	Type 3	160	19347	121	19620	123	21175	132	21280	133	21384	134
	Type 4	160	19232	120	19503	122	21045	132	21150	132	21255	133
	Type 5	160	19236	120	19507	122	21050	132	21155	132	21260	133

